

Multi point lock for doors

PATENT

Used for inward- and outward-opening front doors.

Face plate

25 x 2 mm, round plate edges

Bolt bar

Flat 11 x 2.9 mm

M5000

Key turn 360°

M5100

Key turn 90°

Side bolt

Hook bolt, 2 pcs., bolt stroke 25 mm.
Latch bolt and dead bolt.

Rower

Square 8 mm

Operation and features

When the door is unlocked, hook/wedge bolts and dead bolt are retracted. The latch bolt is in operation and keeps the door in place and closed. The handle is horizontal and is pushed down to open the door. The door can be closed without turning the handle. Locking is done by turning the handle upwards. The handle goes back to a horizontal position. The locking is then done with a key or turn catch. The dead bolt goes into operation and is locked together with the hook/wedge bolts.

Accessories

Receiver, page F 109–F 111, F 112–F 113.

Door handle ASSA or handle without return spring.

Also available with micro switch.

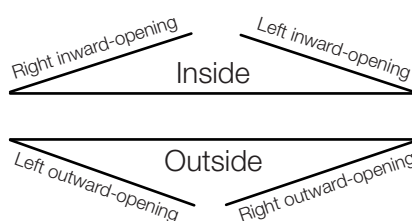
Assa drill protection fitting LS 12209.

Transmission casement stay

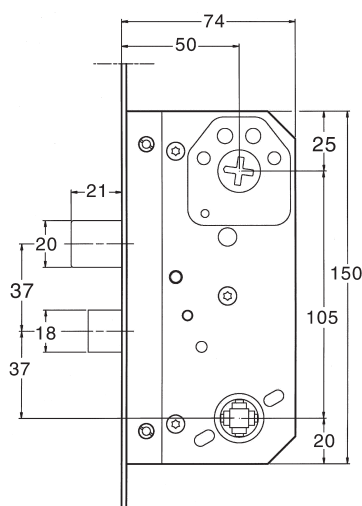
No

Right/left

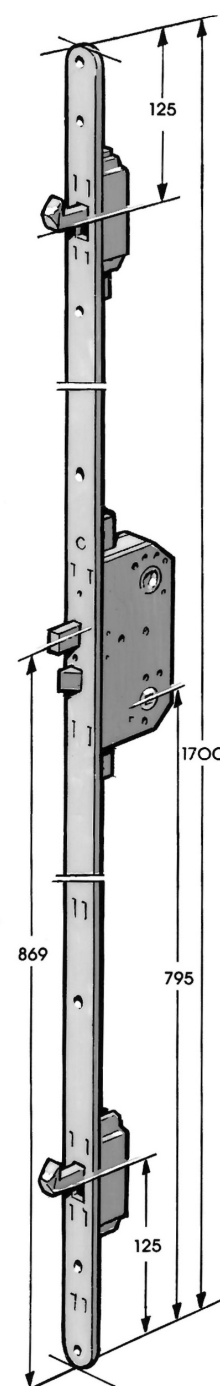
Not identical, see symbol.



Lock housing



M5000



M5200 (2000)
M5202 (2001)
M5201 (2002)

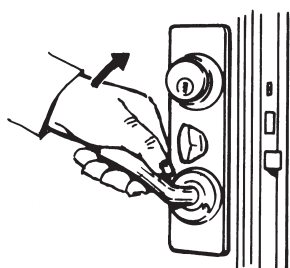
Multi point lock for doors

PATENT

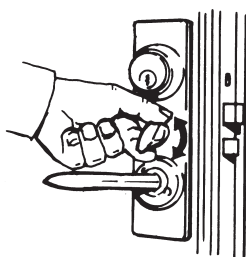
Used for outward- and inward-opening front doors.

Home comfort

Lift up the handle

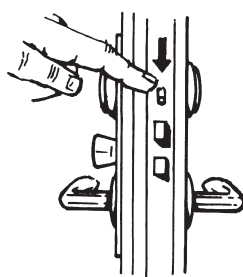


Lock/unlock using the turn catch

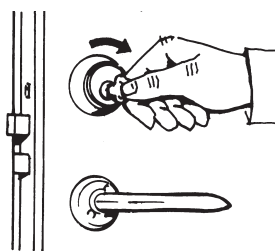


For security when absent

Lock the turn catch with the button above the dead bolt



Lock/unlock using a key



M5200

Lockable with round double cylinder. Key turn 360 degrees. Face plate 25 x 2 mm with round-trimmed plate edges. Galvanized. Backset 50 mm, locking depth 76 mm. Dead bolt, latch bolt and two hook bolts. The hook bolts provide increased protection against forced entry. Length 1700 mm. Handle height 795 mm. Available in right and left version. Can be changed by loosening the lock housing from the plate and rotating the dead bolt.

M5202

Like above but made to measure, with straight-trimmed plate edges.

M5201

Like Fix M5202, but with outer bolts, wedge bolt type.

Operation and features

When the door is unlocked, hook/wedge bolts and dead bolt are retracted. The latch bolt is in operation and keeps the door in place and closed. The handle is horizontal and is pushed down to open the door. The door can be closed without turning the handle. Locking is done by turning the handle upwards. The handle goes back to a horizontal position. The locking is then done with a key or turn catch. The dead bolt goes into operation and is locked together with the hook/wedge bolts.

Installation

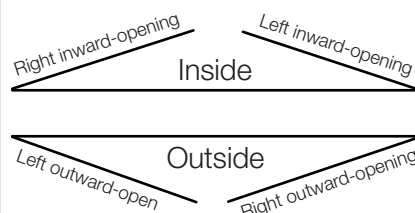
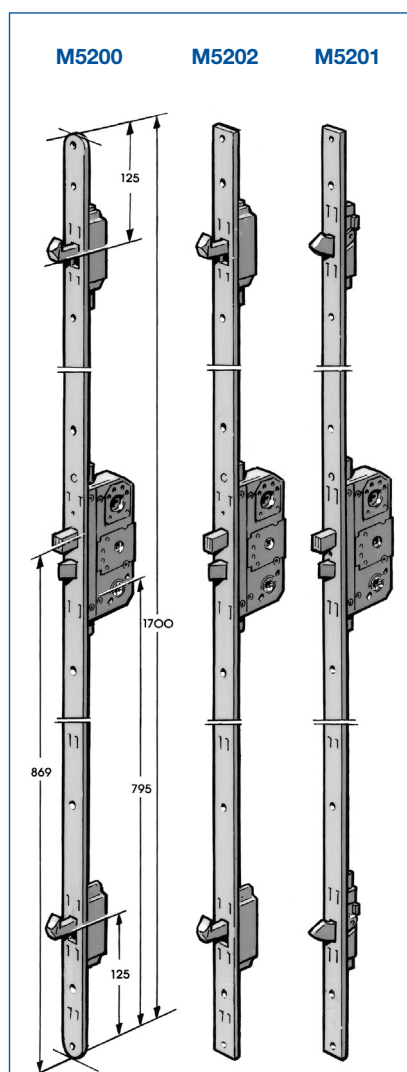
Instructions for milling, with measurements, catalogue section E.

Accessories

Receivers, page F 104–F 113. Select ASSA door handle or handle without return spring. Also available with micro switch.

When ordering M5202, M5201, please state:

1. Item number
2. Length
3. Handle height
4. Type of receiver
5. Number of bolts, type and placing.
6. Right or left



Assa FIX Door and Window Hardware

Multi point lock for doors, made-to-measure

M5001 (2150)
M5101 (2151)
M5002 (2026)

PATENT

Used for outward- and inward-opening front doors.

M5001

Lockable with 360 degree key turn.

M5101

Lockable with 90 degree key turn.

M5002

Same as Fix M5000, page C 34, but made to measure, optional length and optional handle height and bolt placing. Limitations, see catalogue section E. Key turn 360 degrees, or 90 degrees.

Design as for the rest for all:

Lockable with round cylinder. Face plate 25 x 2 mm. Polished galvanized steel. Backset 50 mm. Lock depth 74 mm. Dead bolt, latch bolt and side bolts, wedge bolt type, or hook bolt. Quantity and placing optional. Limitations, see catalogue section E. Optional length and handle height. Limitations, see catalogue section E. Available in right and left version. Can be changed by loosening the lock housing from the plate and rotating the dead bolt.

Operation and features

When the door is unlocked, side bolts and dead bolt are retracted. The latch bolt is in operation and keeps the door in place and closed. The handle is horizontal and is pushed down to open the door. The door can be closed without turning the handle.

Locking is done by turning the handle up. The side bolts are then operated and enter the receivers. The locking is then done with a key or turn catch. The dead bolt goes into operation and is locked together with the side bolts.

Installation

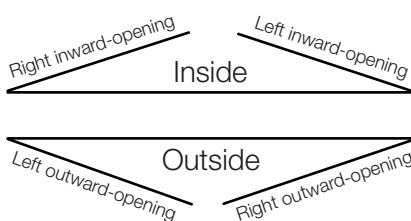
Instructions for milling, with measurements, catalogue section E.

Accessories

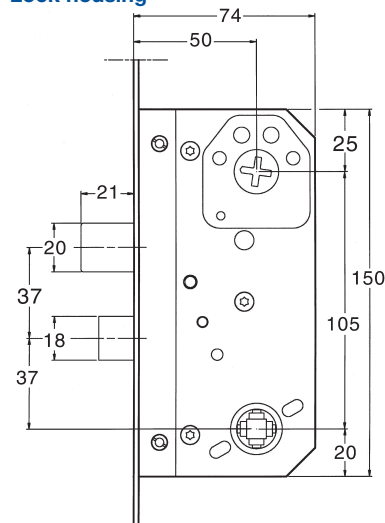
Receivers, page F 104–F 113. Select ASSA door handle or handle without return spring. Also available with micro switch.

When ordering, please state:

1. Item number
2. Key turn 90 or 360 degrees
3. Length
4. Handle height
5. Type of receiver
6. Number of bolts and their placings
7. Right or left

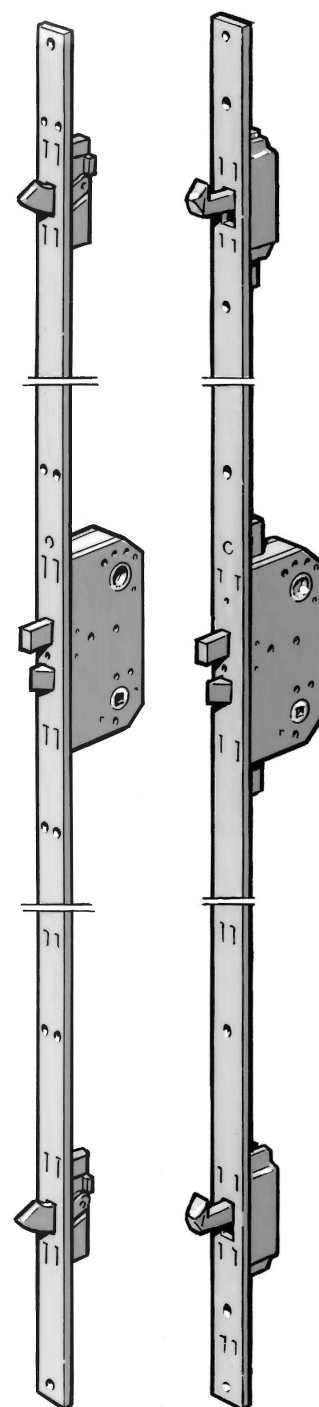


Lock housing



M5001, M5101

M5002

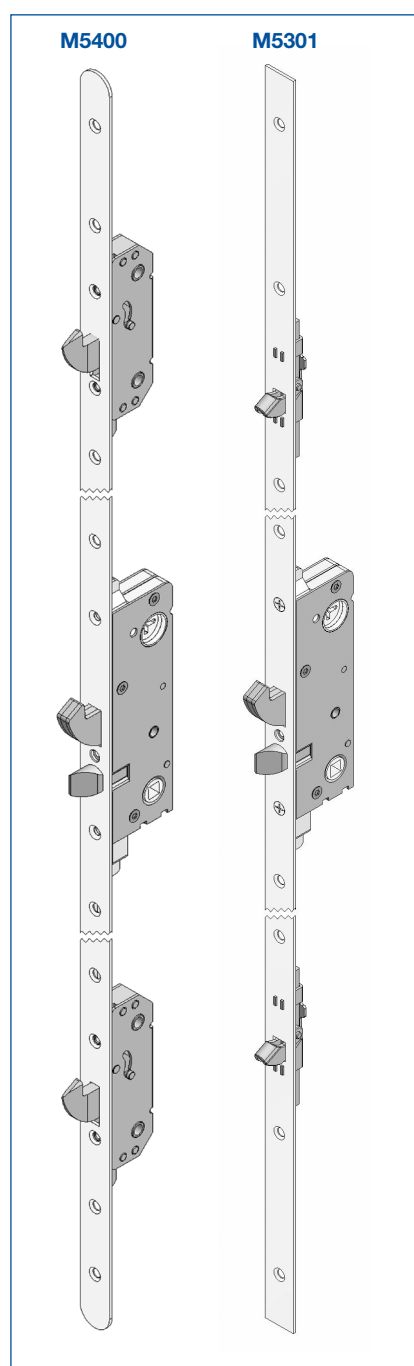
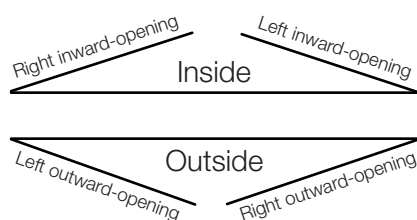


M5300
M5400
M5500

Multi point lock Evo for doors

PATENT

Used for outward- and inward-opening front doors, and glazed doors.



M5300

Length, see below. Key turn 90 degrees.

M5400

Length, see below. Key turn 360 degrees.

M5500

Length, see below. Key turn 360 degrees. Furthermore, home comfort and away security operation.

Design as for the rest for both:

Face plate 25 x 2 mm, with round-trimmed plate edges. Galvanized and blue-chromated.
Backset 50 mm.
Lock depth 64 mm.
Hook dead bolt, latch bolt and two hook bolts. The hook bolts provide increased protection against forced entry.
Length 1700 mm.
Handle height 795 mm.
Available in right and left version. Can be changed by rotating the dead bolt.

M5403

Made to measure. Key turn 360 degrees. Backset 40 and 50 mm. Lock depth $L = D + 14$ mm.

M5301

Made to measure. Key turn 90 degrees. Backset 40 and 50 mm. Lock depth $L = D + 14$ mm. With side bolts, wedge bolt type.

M5503

Made to measure. Key turn 360 degrees, with hook wedge, home comfort and away security operation. Backset 50 mm. Lock depth $L = D + 14$ mm.

Operation and features

Meets the requirements according to Swedish Standard SS3522 classification 3. When the door is unlocked, hook/wedge bolts and hook dead bolt are retracted. The latch bolt is in operation and keeps the door in place and

closed. The handle is horizontal and is pushed down to open the door. The door can be closed without turning the handle. The door is locked when the handle is turned upwards. The hook/wedge bolts are then operated and enter the receivers. The locking is then done with a key or turn catch. The hook dead bolt goes into operation and is locked together with the hook/wedge bolts.

Installation

Instructions for milling, with measurements, catalogue section E.

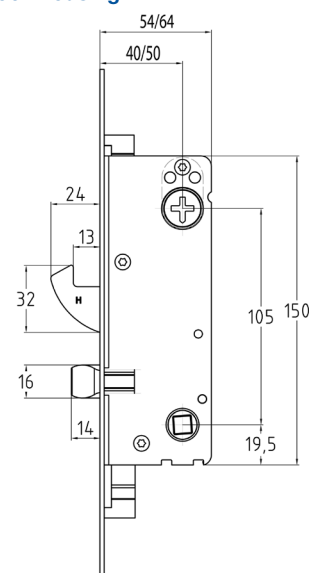
Accessories

Receivers, page F 104–F 113.
Handle (without return spring) and turn catch, standard type.
Lock cylinder: cylinder, standard type.

When ordering, please state:

1. Item number
2. For key turn 360 or 90 degrees
3. Length
4. Handle height
5. Backset
7. Type of receiver
8. Number of bolts and their placings
9. Right or left

Lock housing



Multi point lock for doors

M5600 (6025)
M5602 (6026)
M5601 (6151)

PATENT

Used for outward- and inward-opening front doors.

M5600

Lockable with Euro-profile cylinder. Face plate 25 x 2 mm. Galvanized. Backset 55 mm, locking depth 72 mm. Dead bolt, latch bolt and two hook bolts. The hook bolts provide increased protection against forced entry. Length 2050 mm. Handle height 1070 mm. Available in right and left version.

M5602

Like Fix M5600, but made to measure.

M5601

Made to measure, outer bolts, wedge bolt type. Otherwise like Fix M5600.

Operation and features

When the door is unlocked, hook/wedge bolts and dead bolt are retracted. The latch bolt is in operation and keeps the door in place and closed. The handle is horizontal and is pushed down to open the door. The door can be closed without turning the handle. Locking is done by turning the handle up. The handle goes back to a horizontal position. The locking is then done with a key or turn catch. The dead bolt goes into operation and is locked together with the hook/wedge bolts.

Installation

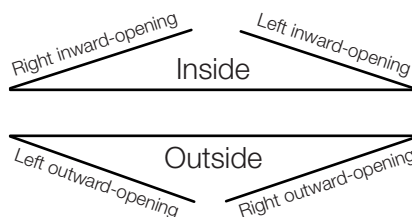
Instructions for milling, with measurements, catalogue section E.

Accessories

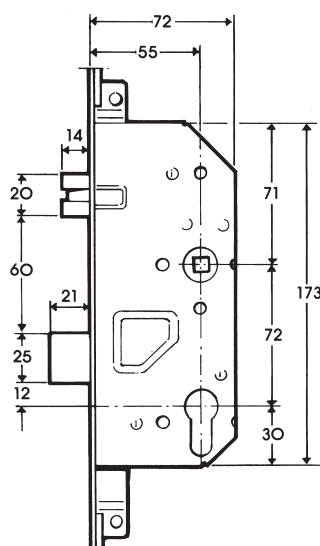
Receivers, page F 104–F 113.
Handle (without return spring) and turn catch of DIN standard type.
Lock cylinder: Euro-profile cylinder.

When ordering M5602, M5601, please state:

1. Item number
2. Length
3. Handle height
4. Type of receiver
5. Number of bolts, type and placing.
6. Right or left

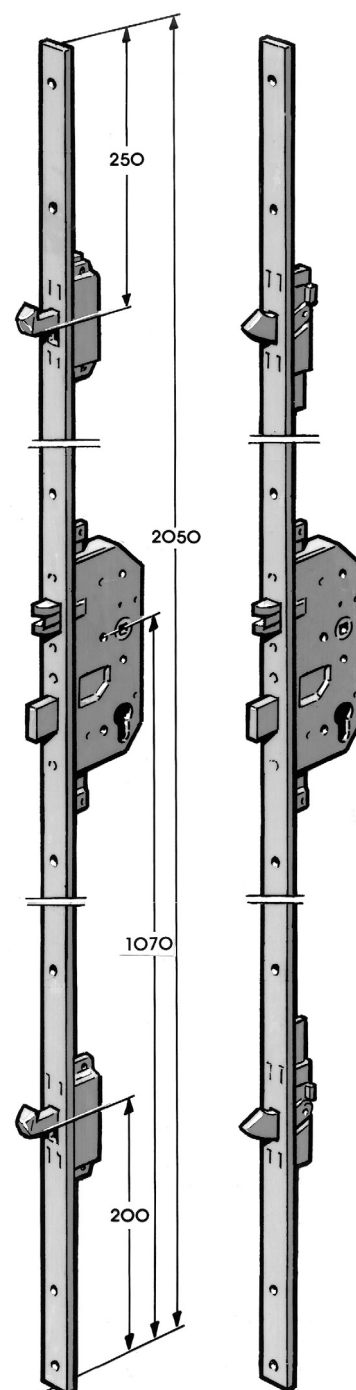


Lock housing



M5600

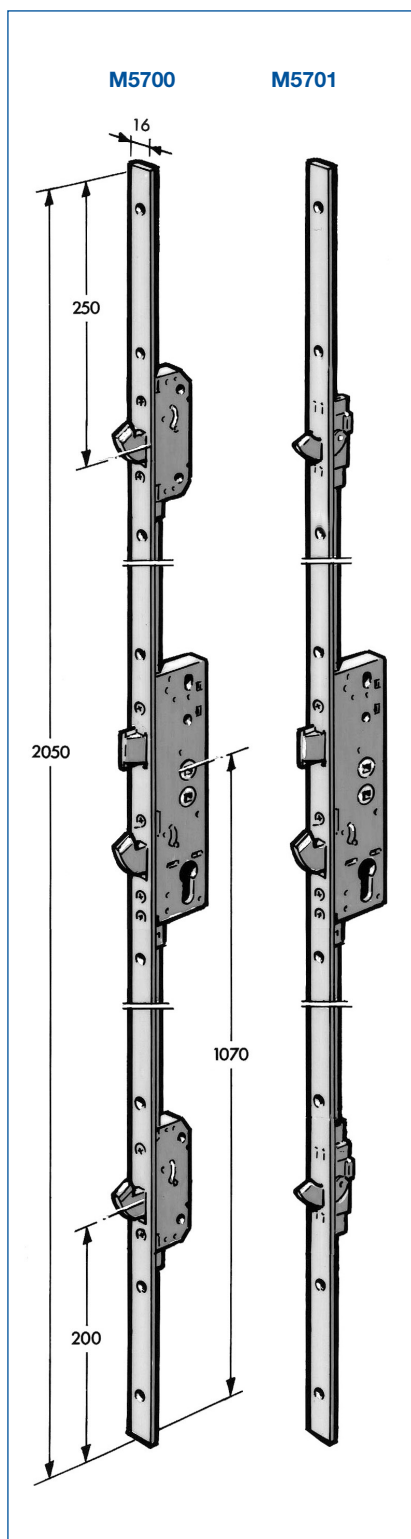
M5601



M5700 (7025)
M5703 (7026)
M5701 (7151)

Multi point lock for doors

Used for outward- and inward-opening front doors.
 Primarily for PVC-doors.



M5700

Lockable with Euro-profile cylinder.
 Face plate 16 mm.
 Galvanized. Backset 35 mm, locking depth 52 mm. Dead bolt, latch bolt and two hook bolts. The hook bolts provide increased protection against forced entry. Length 2050 mm. Handle height 1070 mm. Available in right and left version. Can be changed by rotating the latch bolt.

M5703

Made to measure. Face plate 16, 20, 22 or 25 x 2 mm.
 Otherwise like Fix M5700.

Backset	Lock depth
28 mm	45 mm
35 mm	52 mm
45 mm	62 mm
55 mm	72 mm

M5701

Made to measure. Outer bolts, wedge bolt type.
 Otherwise like Fix M5700.

Operation and features

Standard operation
 Inside and outside handles are mounted into the top row.
 Locking: 1. Lift the handle. The hook bolts and the hook dead bolt are operated and enter the receivers.
 2. Press the handle to retract all bolts, including the latch bolt. When the door is unlocked, the latch bolt keeps it closed. The latch bolt is retracted when the handle is pressed.

“Slam-shut”-operation

(does not apply to 28 mm backset)
 The inside handle is mounted into the top row. The outside handle is mounted into the bottom row. Locking: as above. Unlocking: as above, but with the difference that the latch bolt can only be retracted by using a key from the outside. From the inside, the latch bolt is retracted when the handle is pressed.

Installation

Instructions for milling, with measurements, catalogue section E.

Accessories

Receivers, page F 104–F 113.
 Handle (without return spring) and turn catch of DIN standard type.
 Lock cylinder: Euro-profile cylinder.

Lock housing M5700, M5703, M5701

