

The logo for Vivido features a stylized 'V' in orange and black, followed by the word 'VIVIDO' in a bold, black, sans-serif font.

# VIVIDO



# AC LEIGH

ARCHITECTURAL IRONMONGERS  
SECURITY SPECIALISTS

The logo for Vivido features a stylized 'V' in orange and dark grey, with a white dot above the 'i'. The word 'vivido' is written in a bold, dark grey, lowercase sans-serif font.

# vivido

A range of selected contemporary designs suitable for commercial or high spec residential properties with the emphasis on ease of use and quality of finish.

Features include screw on rose, Heso spindles and bolt through fixing as standard, all covered by a 10 year mechanical guarantee. All models comply with BS EN 1906 and are suitable for use on fire and smoke doors.

AC Leigh provides a full specification service to include all Architectural Ironmongery, Access Control, Automatic Doors and Master Key locking systems.

# CONTENTS

|   |        |    |  |         |    |
|---|--------|----|--|---------|----|
|    | VL9001 | 6  |    | VL9017  | 22 |
|    | VL9002 | 7  |    | VL9018  | 23 |
|    | VL9003 | 8  |    | VL9019  | 24 |
|    | VL9004 | 9  |    | VL9020  | 25 |
|    | VL9005 | 10 |    | VL9021  | 26 |
|   | VL9006 | 11 |   | VL9022  | 27 |
|  | VL9007 | 12 |  | VL9023  | 28 |
|  | VL9008 | 13 |  | VL9024  | 29 |
|  | VL9009 | 14 |  | VL9025  | 30 |
|  | VL9010 | 15 |  | VL9026  | 31 |
|  | VL9011 | 16 |  | VL9027  | 32 |
|  | VL9012 | 17 |  | VLA9100 | 34 |
|  | VL9013 | 18 |  | VLA9103 | 35 |
|  | VL9014 | 19 |  | VLA9106 | 36 |
|  | VL9015 | 20 |  | VLA9109 | 37 |
|  | VL9016 | 21 |  | VLA9112 | 38 |

## KEY TO FINISHES



Satin Stainless Steel



Polished Stainless Steel



Dual Finish Stainless Steel

## CARE OF FINISHES

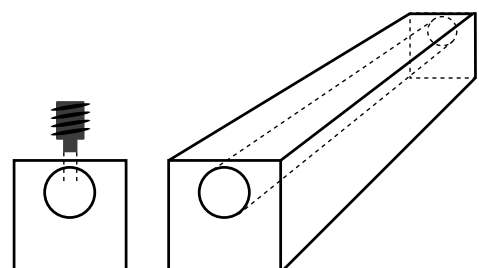
Stainless steel needs to be cleaned for aesthetic considerations and to preserve corrosion resistance. Stainless steel is protected by a thin layer of chromium oxide.

Stainless steel products should be wiped over with a clean cloth and warm water with a mild detergent on a frequent basis. For more stubborn dirt or stains use mild, non-scratching abrading powders such as typical household cleaners. These can be used with warm water, bristle brushes, sponges or clean cloths. For more aggressive cleaning a small amount of vinegar can be added to the powder. Carbon steel brushes should be avoided as they may leave particles embedded in the surface, which can lead to rusting. Cleaning should always be immediately followed by rinsing in clean hot water and the surface then wiped completely with a dry towel.

The maximum recommendation for routine cleaning is once a month and more often in areas subject to heavy soiling or frequent use.

## HESO SPINDLE

All Vivido lever handle sets are supplied with a Heso spindle, this spindle has a hole drilled close to one edge along its length, when both of the levers are tight to the face of the door the Allen screw can be tightened to penetrate through the thin wall of the spindle thus providing a very secure fixing which is designed for heavy duty use. It is very important to ensure that the Heso spindle is inserted into the lever set with the thin wall opposite the grub screw fixing.



# KEY TO SYMBOLS



The UK Construction Products Regulations require that door hardware for use on fire doors be safe and durable.



BS 8300 is the design of buildings and their approaches to meet the needs of disabled people.



Suitable for use in commercial environments.



Suitable for use in domestic environments.



Suitable for use in industrial environments.



Grade 304 Stainless Steel.



BS EN 1906 is the British/European standard requirements and testing methods covering lever handles and knob furniture.



10 Year Mechanical Guarantee.



Solid Stainless Steel.



Heso Spindle.



## VL900 I

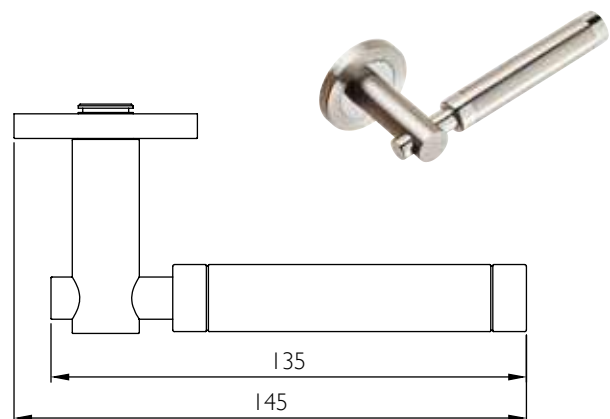
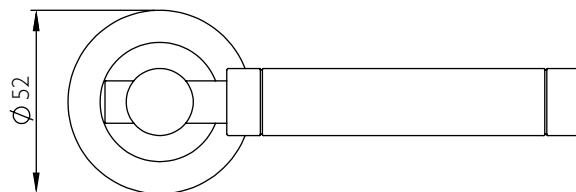
### SPECIFICATION

- Lever handle length 135mm, Ø 19mm
- Lever projection 62mm
- Rose Ø 52mm x 7mm
- Sprung, concealed rose threaded
- Solid G304 stainless steel

### FINISH

- Dual finish stainless steel
- Heso fixing square spindle 100mm x 8mm x 8mm

Category of use class 3, BS EN 1906 for use on fire-rated and smoke protection door to BS EN 1634



# VL9002

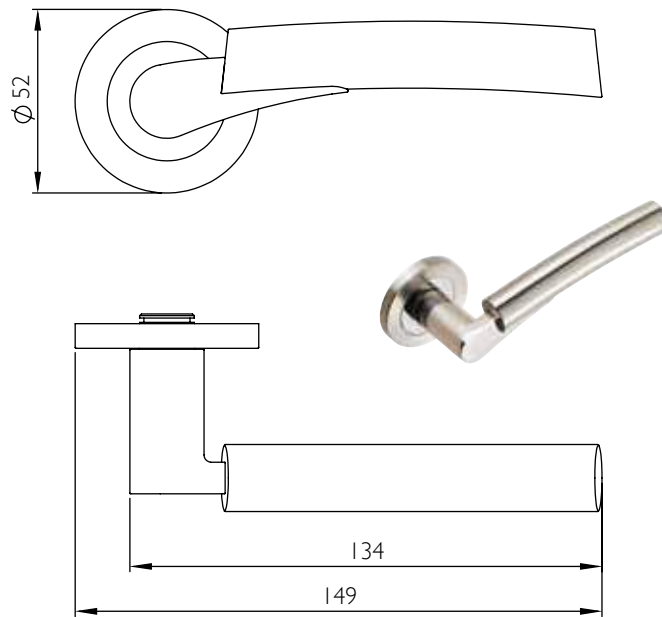
## SPECIFICATION

- Lever handle length 134mm, Ø 19mm
- Lever projection 53mm
- Rose Ø 52mm x 7mm
- Sprung, concealed rose threaded
- Solid G304 stainless steel

## FINISH

- Dual finish stainless steel
- Heso fixing square spindle 100mm x 8mm x 8mm

Category of use class 3, BS EN 1906 for use on fire-rated and smoke protection door to BS EN 1634





## VL9003

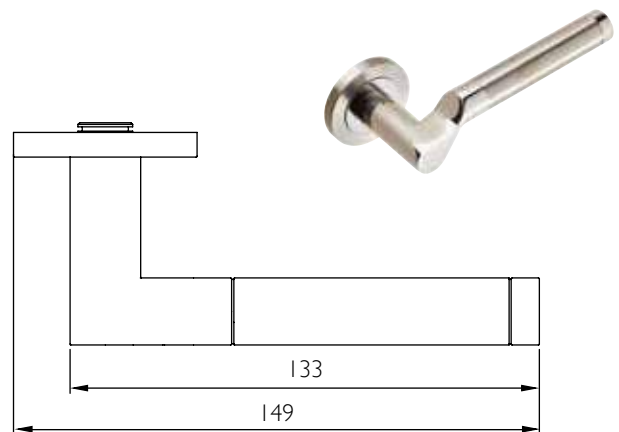
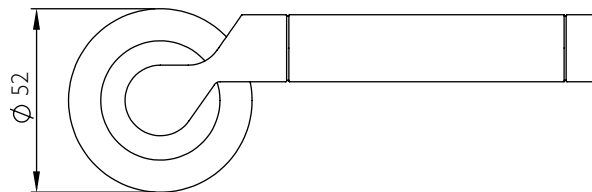
### SPECIFICATION

- Lever handle length 133mm, Ø 19mm
- Lever projection 60mm
- Rose Ø 52mm x 7mm
- Sprung, concealed rose threaded
- Solid G304 stainless steel

### FINISH

- Dual finish stainless steel
- Heso fixing square spindle 100mm x 8mm x 8mm

Category of use class 3, BS EN 1906 for use on fire-rated and smoke protection door to BS EN 1634





# VL9004

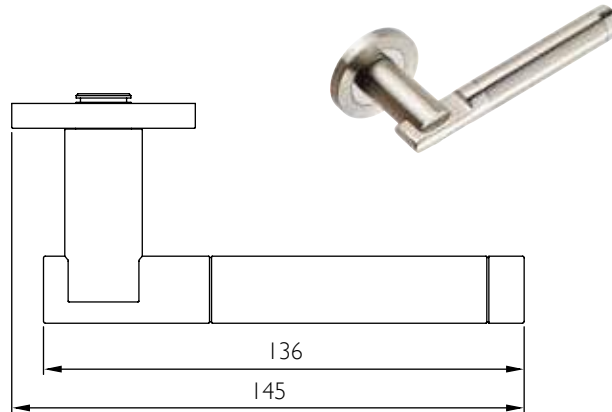
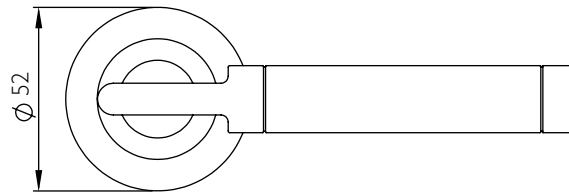
## SPECIFICATION

- Lever handle length 136mm, Ø 19mm
- Lever projection 62mm
- Rose Ø 52mm x 7mm
- Sprung, concealed rose threaded
- Solid G304 stainless steel

## FINISH

- Dual finish stainless steel
- Heso fixing square spindle 100mm x 8mm x 8mm

Category of use class 3, BS EN 1906 for use on fire-rated and smoke protection door to BS EN 1634

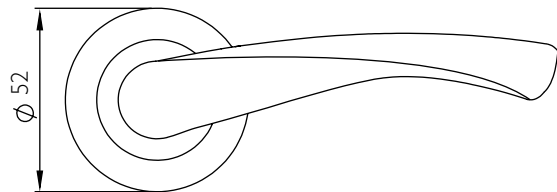




## VL9005

### SPECIFICATION

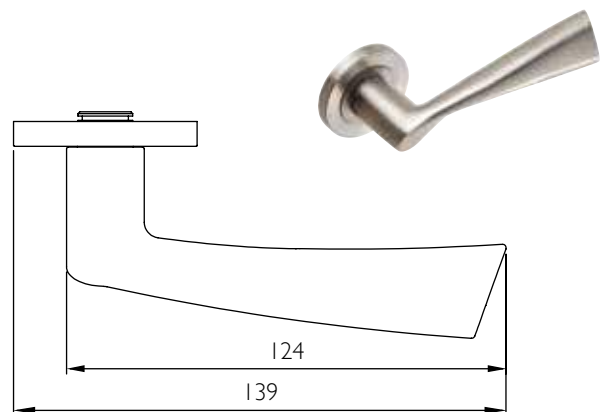
- Lever handle length 124mm
- Lever projection 68mm
- Rose  $\varnothing$  52mm x 7mm
- Sprung, concealed rose threaded
- Solid G304 stainless steel



### FINISH

- Satin stainless steel
- Heso fixing square spindle  
100mm x 8mm x 8mm

Category of use class 3, BS EN 1906  
for use on fire-rated and smoke  
protection door to BS EN 1634



# VL9006

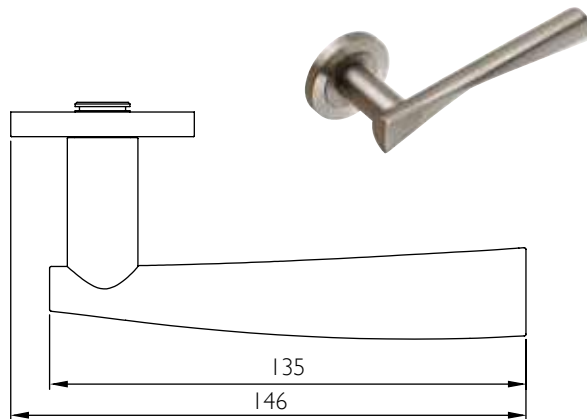
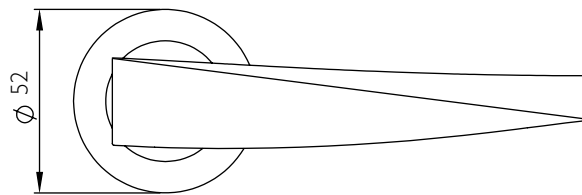
## SPECIFICATION

- Lever handle length 135mm, Ø 19mm
- Lever projection 64mm
- Rose Ø 52mm x 7mm
- Sprung, concealed rose threaded
- Solid G304 stainless steel

## FINISH

- Satin stainless steel
- Heso fixing square spindle 100mm x 8mm x 8mm

Category of use class 3, BS EN 1906 for use on fire-rated and smoke protection door to BS EN 1634





## VL9007

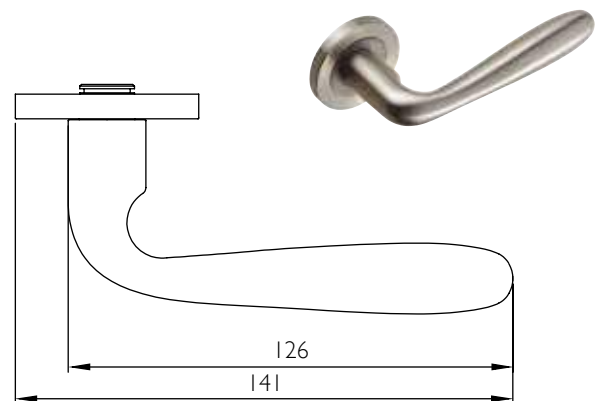
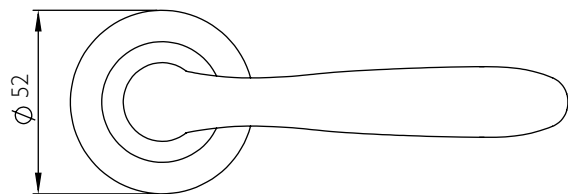
### SPECIFICATION

- Lever handle length 126mm, Ø 20mm
- Lever projection 62mm
- Rose Ø 52mm x 7mm
- Sprung, concealed rose threaded
- Formed G304 stainless steel

### FINISH

- Satin stainless steel
- Heso fixing square spindle 100mm x 8mm x 8mm

Category of use class 3, BS EN 1906 for use on fire-rated and smoke protection door to BS EN 1634



# VL9008

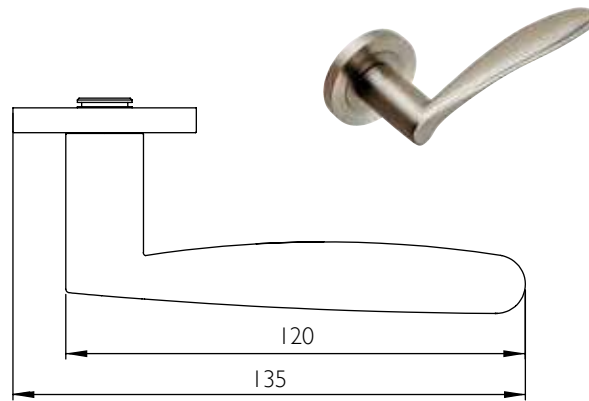
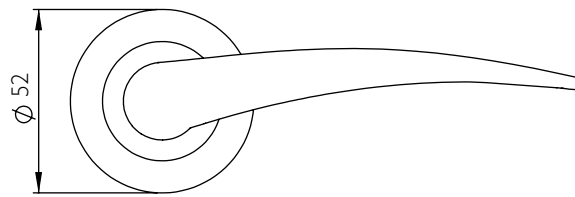
## SPECIFICATION

- Lever handle length 120mm
- Lever projection 58mm
- Rose  $\varnothing$  52mm x 7mm
- Sprung, concealed rose threaded
- Solid G304 stainless steel

## FINISH

- Satin stainless steel
- Heso fixing square spindle  
100mm x 8mm x 8mm

Category of use class 3, BS EN 1906  
for use on fire-rated and smoke  
protection door to BS EN 1634





## VL9009

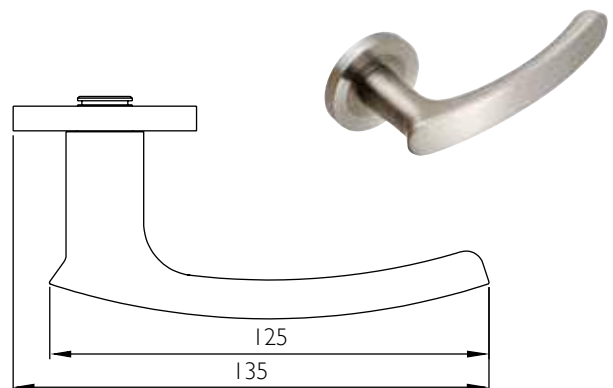
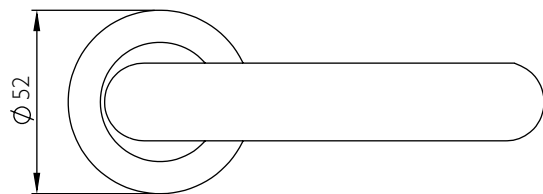
### SPECIFICATION

- Lever handle length 125mm, Ø 22mm
- Lever projection 60mm
- Rose Ø 52mm x 7mm
- Sprung, concealed rose threaded
- Solid G304 stainless steel
- BS 8300 suitable

### FINISH

- Satin stainless steel
- Heso fixing square spindle 100mm x 8mm x 8mm

Category of use class 3, BS EN 1906 for use on fire-rated and smoke protection door to BS EN 1634



# VL9010

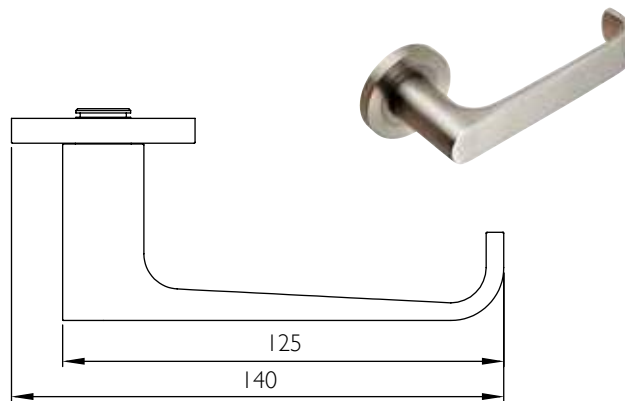
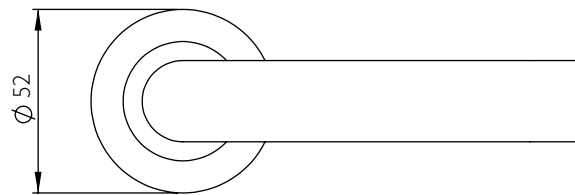
## SPECIFICATION

- Lever handle length 125mm, Ø 23mm
- Lever projection 57mm
- Rose Ø 52mm x 7mm
- Sprung, concealed rose threaded
- Solid G304 stainless steel
- BS 8300 suitable

## FINISH

- Satin stainless steel
- Heso fixing square spindle 100mm x 8mm x 8mm

Category of use class 3, BS EN 1906 for use on fire-rated and smoke protection door to BS EN 1634





## VL9011

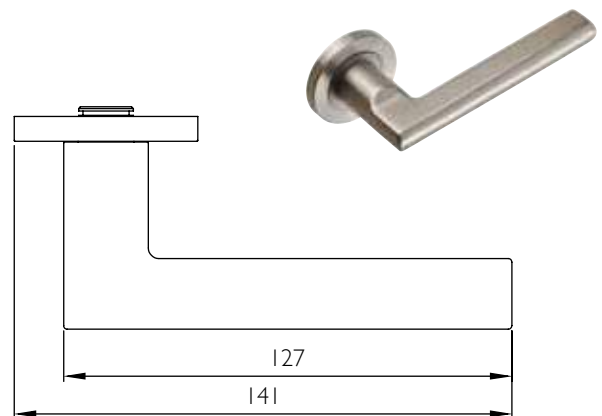
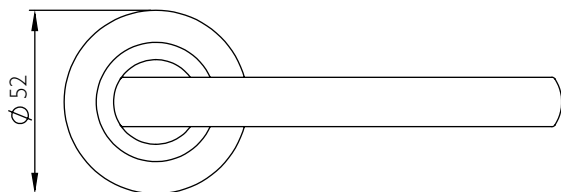
### SPECIFICATION

- Lever handle length 127mm
- Lever projection 60mm
- Rose  $\varnothing$  52mm x 7mm
- Sprung, concealed rose threaded
- Formed G304 stainless steel

### FINISH

- Satin stainless steel
- Heso fixing square spindle  
100mm x 8mm x 8mm

Category of use class 3, BS EN 1906  
for use on fire-rated and smoke  
protection door to BS EN 1634





# VL9012

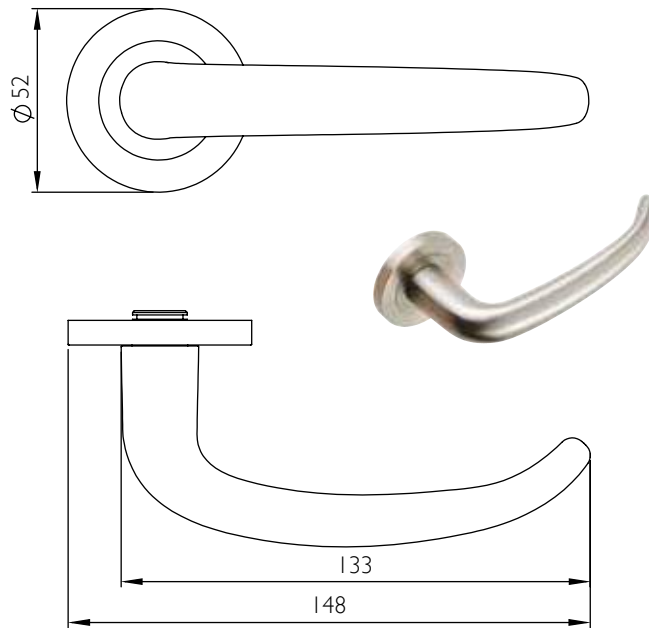
## SPECIFICATION

- Lever handle length 133mm, Ø 19mm
- Lever projection 64mm
- Rose Ø 52mm x 7mm
- Sprung, concealed rose threaded
- Formed G304 stainless steel
- BS 8300 suitable

## FINISH

- Satin stainless steel
- Heso fixing square spindle 100mm x 8mm x 8mm

Category of use class 3, BS EN 1906 for use on fire-rated and smoke protection door to BS EN 1634





## VL9013

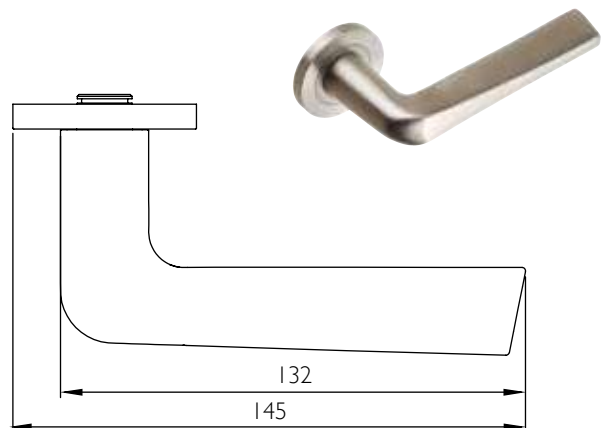
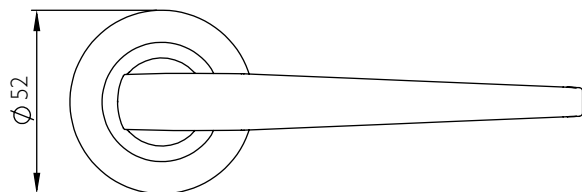
### SPECIFICATION

- Lever handle length 132mm
- Lever projection 71mm
- Rose Ø 52mm x 7mm
- Sprung, concealed rose threaded
- Formed G304 stainless steel

### FINISH

- Satin stainless steel
- Heso fixing square spindle 100mm x 8mm x 8mm

Category of use class 3, BS EN 1906 for use on fire-rated and smoke protection door to BS EN 1634



# VL9014

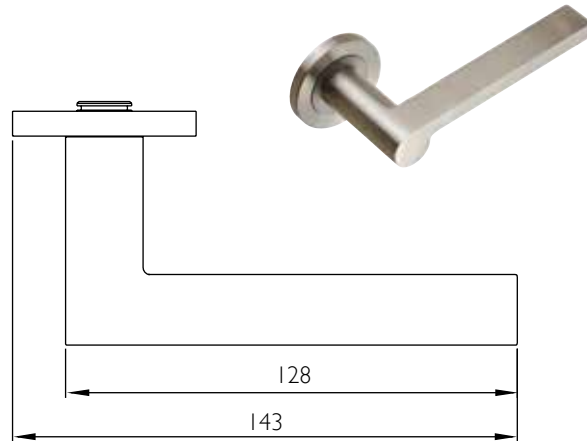
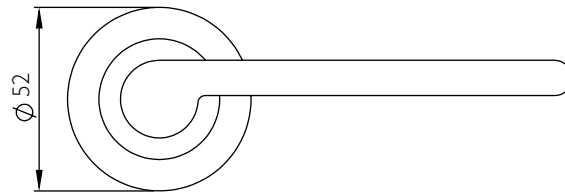
## SPECIFICATION

- Lever handle length 128mm
- Lever projection 66mm
- Rose  $\text{Ø} 52\text{mm} \times 7\text{mm}$
- Sprung, concealed rose threaded
- Solid G304 stainless steel

## FINISH

- Satin stainless steel
- Heso fixing square spindle  
100mm x 8mm x 8mm

Category of use class 3, BS EN 1906  
for use on fire-rated and smoke  
protection door to BS EN 1634





## VL9015

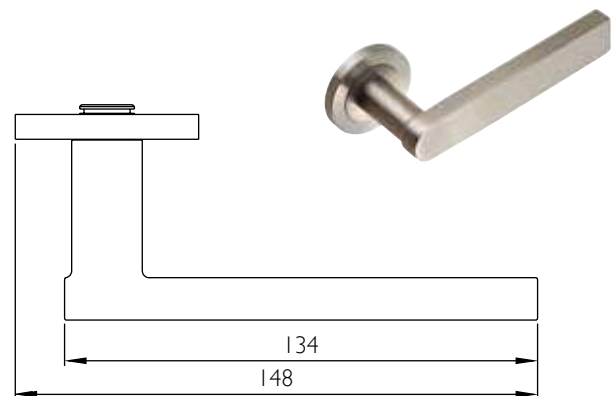
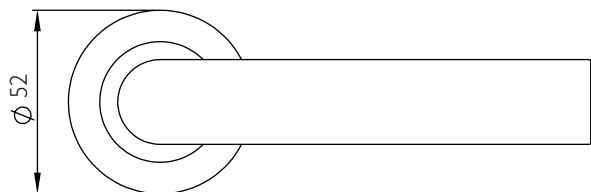
### SPECIFICATION

- Lever handle length 134mm
- Lever projection 58mm
- Rose  $\varnothing$  52mm x 7mm
- Sprung, concealed rose threaded
- Formed G304 stainless steel

### FINISH

- Satin stainless steel
- Heso fixing square spindle 100mm x 8mm x 8mm

Category of use class 3, BS EN 1906 for use on fire-rated and smoke protection door to BS EN 1634



# VL9016

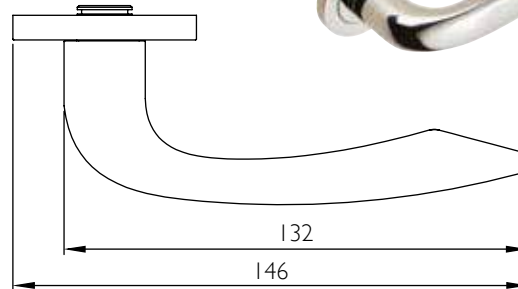
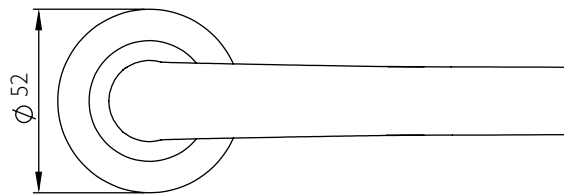
## SPECIFICATION

- Lever handle length 132mm, Ø 19mm
- Lever projection 54mm
- Rose Ø 52mm x 7mm
- Sprung, concealed rose threaded
- Formed G304 stainless steel
- BS 8300 suitable

## FINISH

- Satin stainless steel
- Polished stainless steel available to order
- Heso fixing square spindle 100mm x 8mm x 8mm

Category of use class 3, BS EN 1906 for use on fire-rated and smoke protection door to BS EN 1634





## VL9017

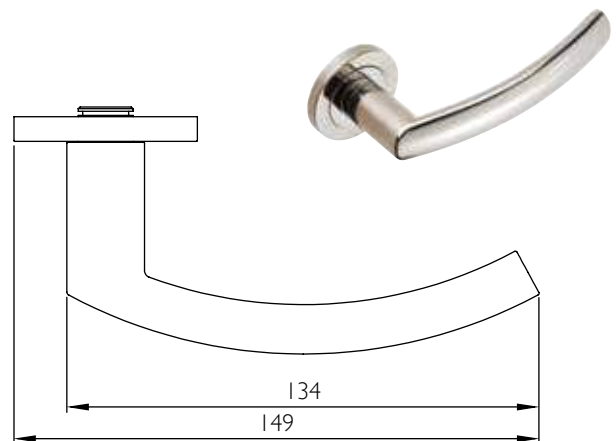
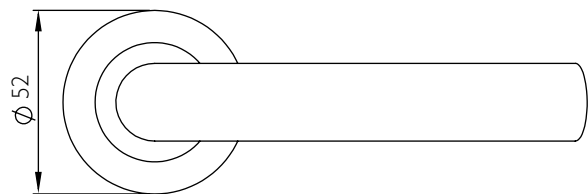
### SPECIFICATION

- Lever handle length 134mm, Ø 22mm
- Lever projection 67mm
- Rose Ø 52mm x 7mm
- Sprung, concealed rose threaded
- Formed G304 stainless steel
- BS 8300 suitable

### FINISH

- Satin stainless steel
- Polished stainless steel available to order
- Heso fixing square spindle 100mm x 8mm x 8mm

Category of use class 3, BS EN 1906 for use on fire-rated and smoke protection door to BS EN 1634



# VL9018

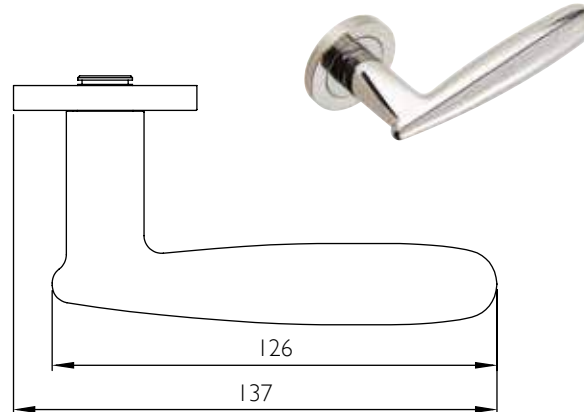
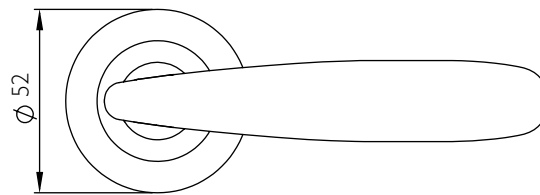
## SPECIFICATION

- Lever handle length 126mm, Ø 19mm
- Lever projection 68mm
- Rose Ø 52mm x 7mm
- Sprung, concealed rose threaded
- Formed G304 stainless steel

## FINISH

- Satin stainless steel
- Polished stainless steel available to order
- Heso fixing square spindle 100mm x 8mm x 8mm

Category of use class 3, BS EN 1906 for use on fire-rated and smoke protection door to BS EN 1634





## VL9019

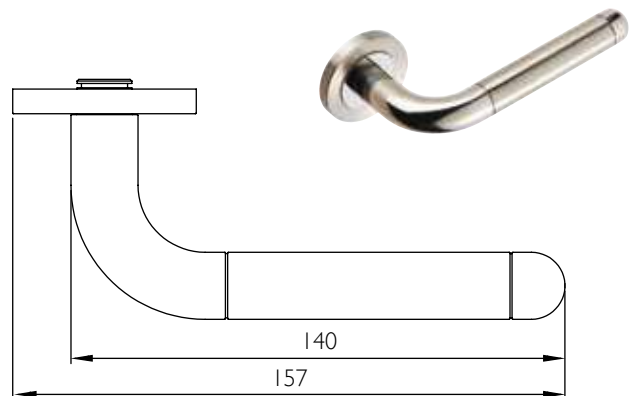
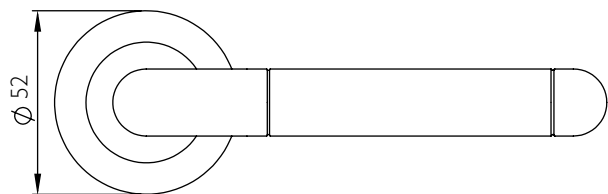
### SPECIFICATION

- Lever handle length 140mm, Ø 19mm
- Lever projection 65mm
- Rose Ø 52mm x 7mm
- Sprung, concealed rose threaded
- Formed G304 stainless steel

### FINISH

- Dual finish stainless steel
- Heso fixing square spindle 100mm x 8mm x 8mm

Category of use class 3, BS EN 1906 for use on fire-rated and smoke protection door to BS EN 1634





# VL9020

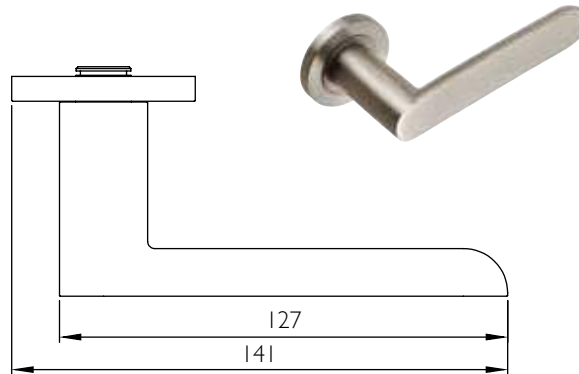
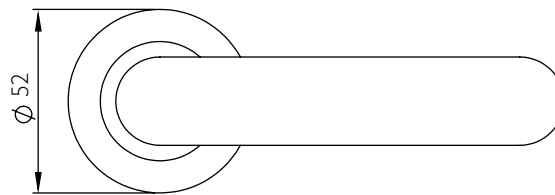
## SPECIFICATION

- Lever handle length 127mm
- Lever projection 62mm
- Rose  $\varnothing$  52mm x 7mm
- Sprung, concealed rose threaded
- Formed G304 stainless steel

## FINISH

- Satin stainless steel
- Heso fixing square spindle 100mm x 8mm x 8mm

Category of use class 3, BS EN 1906 for use on fire-rated and smoke protection door to BS EN 1634





## VL902 I

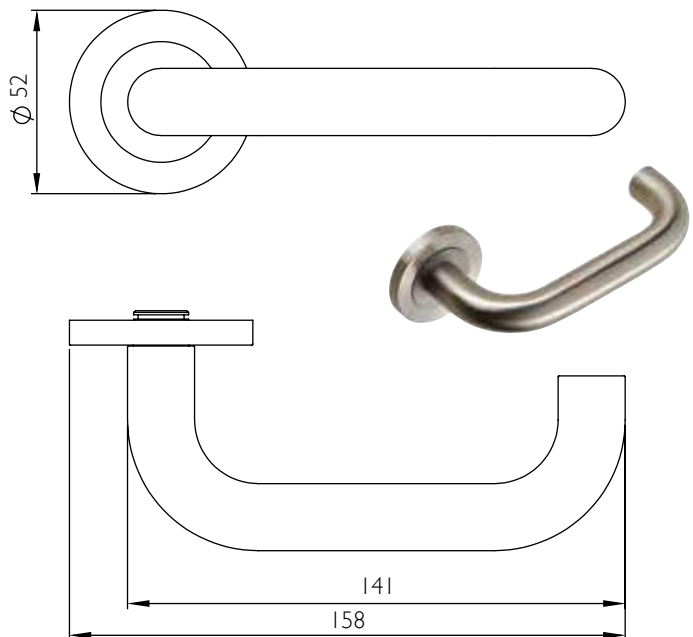
### SPECIFICATION

- Lever handle length 141mm, Ø 19mm
- Lever projection 65mm
- Rose Ø 52mm x 7mm
- Sprung, concealed rose threaded
- Tubular G304 stainless steel
- BS 8300 suitable

### FINISH

- Satin stainless steel
- Heso fixing square spindle 100mm x 8mm x 8mm

Category of use class 3, BS EN 1906 for use on fire-rated and smoke protection door to BS EN 1634



# VL9022

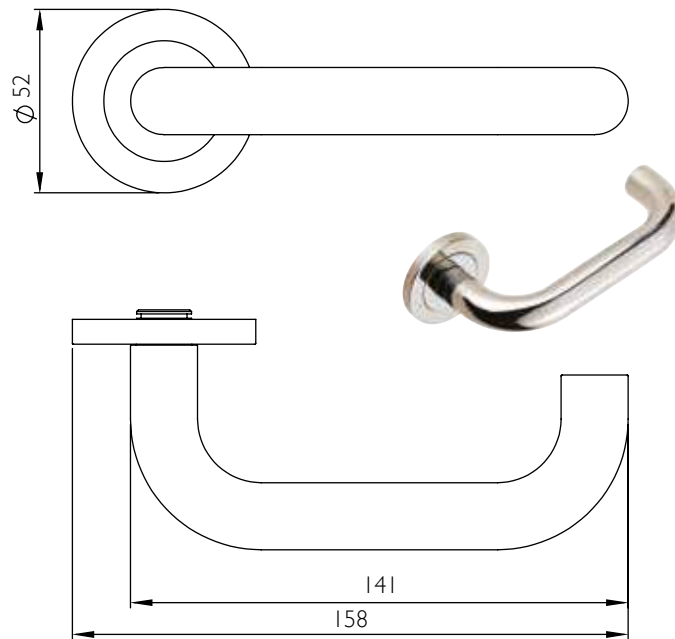
## SPECIFICATION

- Lever handle length 141mm, Ø 19mm
- Lever projection 65mm
- Rose Ø 52mm x 7mm
- Sprung, concealed rose threaded
- Tubular G304 stainless steel
- BS 8300 suitable

## FINISH

- Polished stainless steel
- Heso fixing square spindle 100mm x 8mm x 8mm

Category of use class 3, BS EN 1906 for use on fire-rated and smoke protection door to BS EN 1634





## VL9023

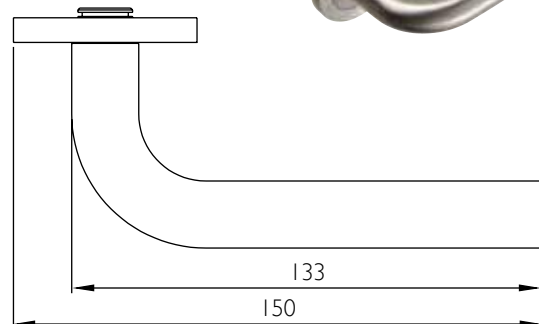
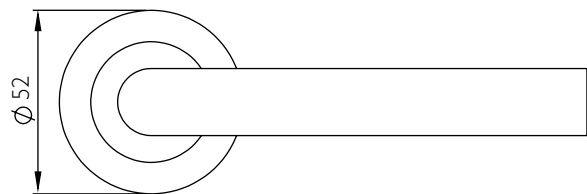
### SPECIFICATION

- Lever handle length 133mm, Ø 19mm
- Lever projection 65mm
- Rose Ø 52mm x 7mm
- Sprung, concealed rose threaded
- Tubular G304 stainless steel

### FINISH

- Satin stainless steel
- Heso fixing square spindle 100mm x 8mm x 8mm

Category of use class 3, BS EN 1906 for use on fire-rated and smoke protection door to BS EN 1634



# VL9024

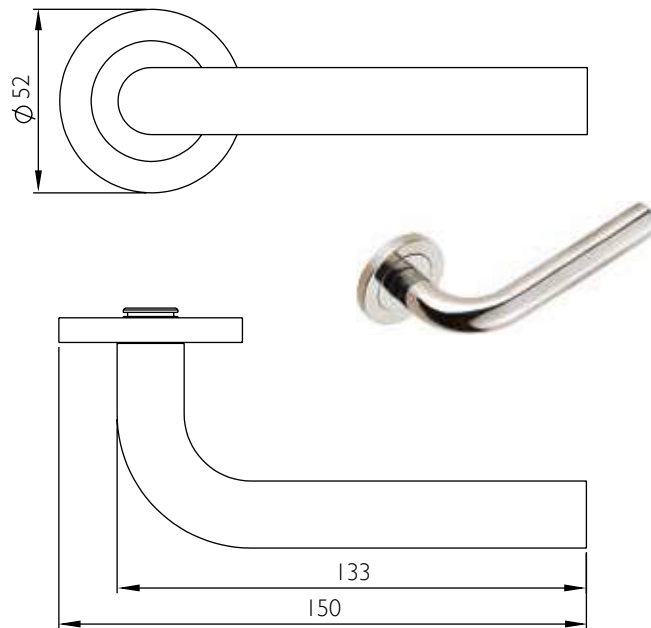
## SPECIFICATION

- Lever handle length 133mm,  $\varnothing$  19mm
- Lever projection 65mm
- Rose  $\varnothing$  52mm x 7mm
- Sprung, concealed rose threaded
- Tubular G304 stainless steel

## FINISH

- Polished stainless steel
- Heso fixing square spindle 100mm x 8mm x 8mm

Category of use class 3, BS EN 1906 for use on fire-rated and smoke protection door to BS EN 1634





## VL9025

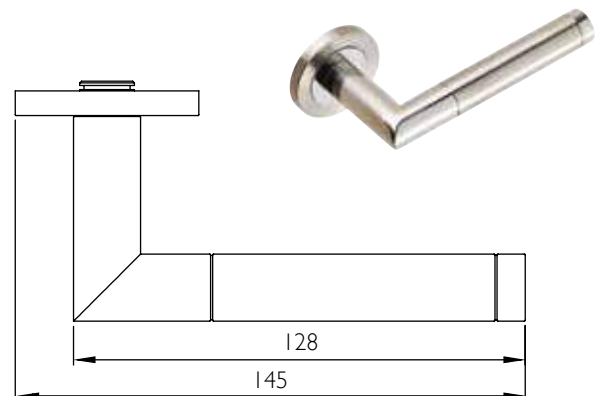
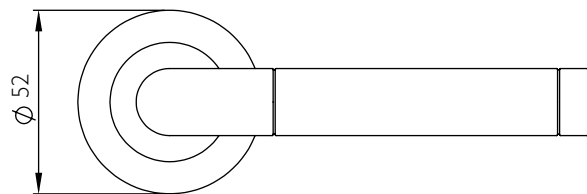
### SPECIFICATION

- Lever handle length 128mm, Ø 19mm
- Lever projection 65mm
- Rose Ø 52mm x 7mm
- Sprung, concealed rose threaded
- Tubular G304 stainless steel

### FINISH

- Dual finish stainless steel
- Heso fixing square spindle 100mm x 8mm x 8mm

Category of use class 3, BS EN 1906 for use on fire-rated and smoke protection door to BS EN 1634



# VL9026

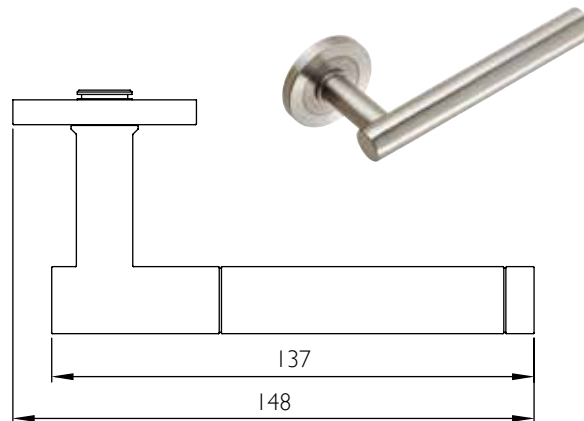
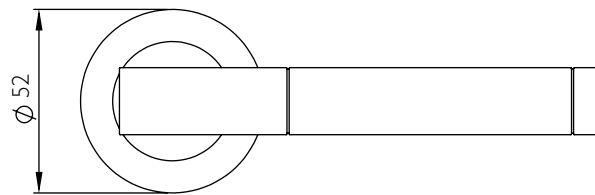
## SPECIFICATION

- Lever handle length 137mm, Ø 19mm
- Lever projection 66mm
- Rose Ø 52mm x 7mm
- Sprung, concealed rose threaded
- Tubular G304 stainless steel

## FINISH

- Dual finish stainless steel
- Heso fixing square spindle 100mm x 8mm x 8mm

Category of use class 3, BS EN 1906 for use on fire-rated and smoke protection door to BS EN 1634





## VL9027

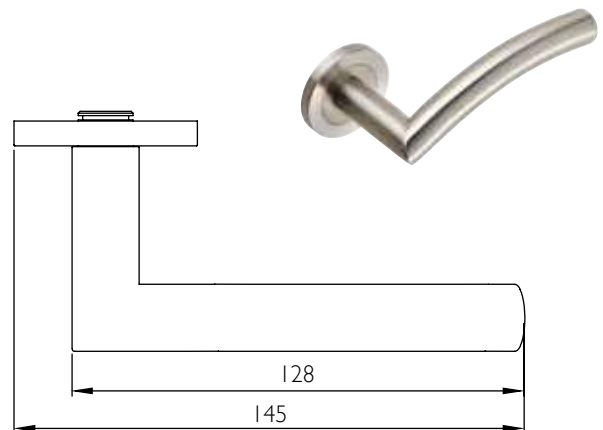
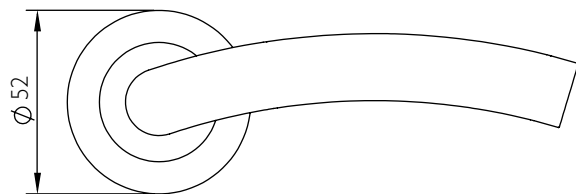
### SPECIFICATION

- Lever handle length 128mm, Ø 19mm
- Lever projection 65mm
- Rose Ø 52mm x 7mm
- Sprung, concealed rose threaded
- Tubular G304 stainless steel

### FINISH

- Satin stainless steel
- Heso fixing square spindle 100mm x 8mm x 8mm

Category of use class 3, BS EN 1906 for use on fire-rated and smoke protection door to BS EN 1634









## VLA9100

### SPECIFICATION

- Rose Ø 52mm x 7mm
- Concealed Rose
- G304 stainless steel

### FINISH

- Satin stainless steel

## VLA9101

### SPECIFICATION

- Rose Ø 52mm x 7mm
- Concealed Rose
- G304 stainless steel

### FINISH

- Polished stainless steel

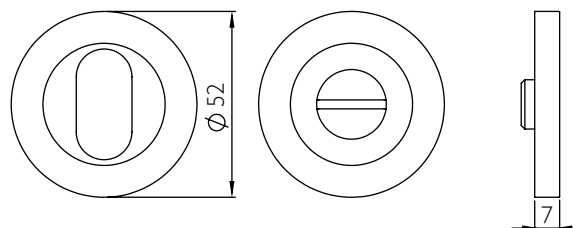
## VLA9102

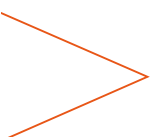
### SPECIFICATION

- Rose Ø 52mm x 7mm
- Concealed Rose
- G304 stainless steel

### FINISH

- Dual finish stainless steel





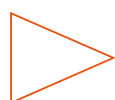
## VLA9I03

### SPECIFICATION

- Rose Ø 52mm x 7mm
- Concealed Rose
- G304 stainless steel

### FINISH

- Satin stainless steel



## VLA9I04

### SPECIFICATION

- Rose Ø 52mm x 7mm
- Concealed Rose
- G304 stainless steel

### FINISH

- Polished stainless steel



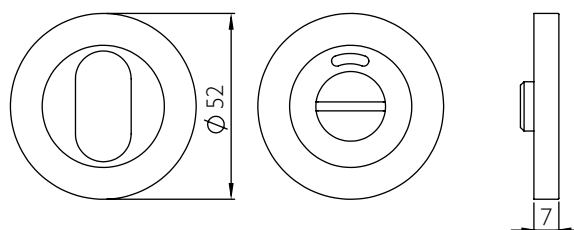
## VLA9I05

### SPECIFICATION

- Rose Ø 52mm x 7mm
- Concealed Rose
- G304 stainless steel

### FINISH

- Dual finish stainless steel





## VLA9I06

### SPECIFICATION

- Lever handle length 60mm, Ø 10mm
- Lever projection 37mm
- Rose Ø 52mm x 7mm
- Concealed Rose
- G304 stainless steel

### FINISH

- Satin stainless steel

## VLA9I07

### SPECIFICATION

- Lever handle length 60mm, Ø 10mm
- Lever projection 37mm
- Rose Ø 52mm x 7mm
- Concealed Rose
- G304 stainless steel

### FINISH

- Polished stainless steel

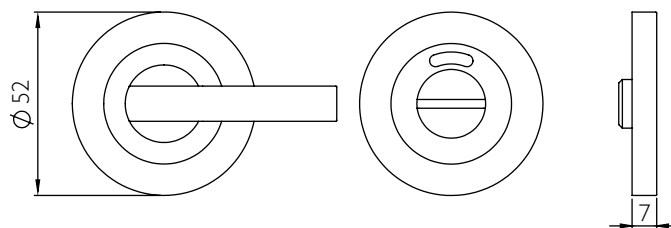
## VLA9I08

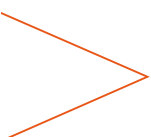
### SPECIFICATION

- Lever handle length 60mm, Ø 10mm
- Lever projection 37mm
- Rose Ø 52mm x 7mm
- Concealed Rose
- G304 stainless steel

### FINISH

- Dual finish stainless steel





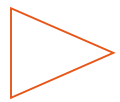
## VLA9I09

### SPECIFICATION

- Euro Escutcheon
- Ø 52mm x 7mm
- Concealed Fixing
- G304 stainless steel

### FINISH

- Satin stainless steel



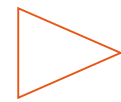
## VLA9I10

### SPECIFICATION

- Euro Escutcheon
- Ø 52mm x 7mm
- Concealed Fixing
- G304 stainless steel

### FINISH

- Polished stainless steel



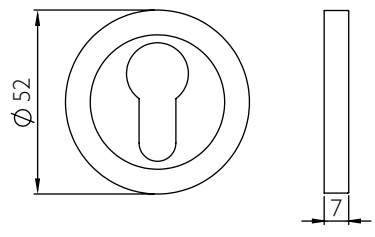
## VLA9I11

### SPECIFICATION

- Euro Escutcheon
- Ø 52mm x 7mm
- Concealed Fixing
- G304 stainless steel

### FINISH

- Dual finish stainless steel





## VLA9112

### SPECIFICATION

- Lever Escutcheon
- Ø 52mm x 7mm
- Concealed Fixing
- G304 stainless steel

### FINISH

- Satin stainless steel

## VLA9113

### SPECIFICATION

- Lever Escutcheon
- Ø 52mm x 7mm
- Concealed Fixing
- G304 stainless steel

### FINISH

- Polished stainless steel

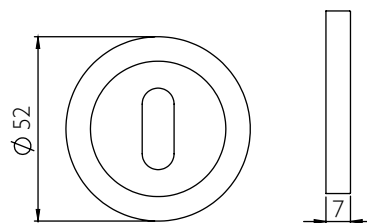
## VLA9114

### SPECIFICATION

- Lever Escutcheon
- Ø 52mm x 7mm
- Concealed Fixing
- G304 stainless steel

### FINISH

- Dual finish stainless steel





#### **NORWICH**

61-67 St. Benedicts Street,  
Norwich, NR2 4PD  
Tel: 01603 216500  
Fax: 01603 216510  
Email: [sales@acleigh.co.uk](mailto:sales@acleigh.co.uk)

#### **COLCHESTER**

11 Grange Way,  
Whitehall Industrial Estate,  
Colchester, CO2 8HG  
Tel: 01206 877488  
Fax: 01206 877480  
Email: [colchester@acleigh.co.uk](mailto:colchester@acleigh.co.uk)

#### **IPSWICH**

Unit 2-3, Dencora Business Centre,  
Whitehouse Road, Ipswich, IPI 5LT  
Tel: 01473 292810  
Fax: 01473 292818  
Email: [ipswich@acleigh.co.uk](mailto:ipswich@acleigh.co.uk)

#### **AC LEIGH SECURITY**

61-67 St. Benedicts Street,  
Norwich, NR2 4PD  
Tel: 01603 216501  
Fax: 01603 216514  
Email: [security@acleigh.co.uk](mailto:security@acleigh.co.uk)

[www.acleigh.co.uk](http://www.acleigh.co.uk)