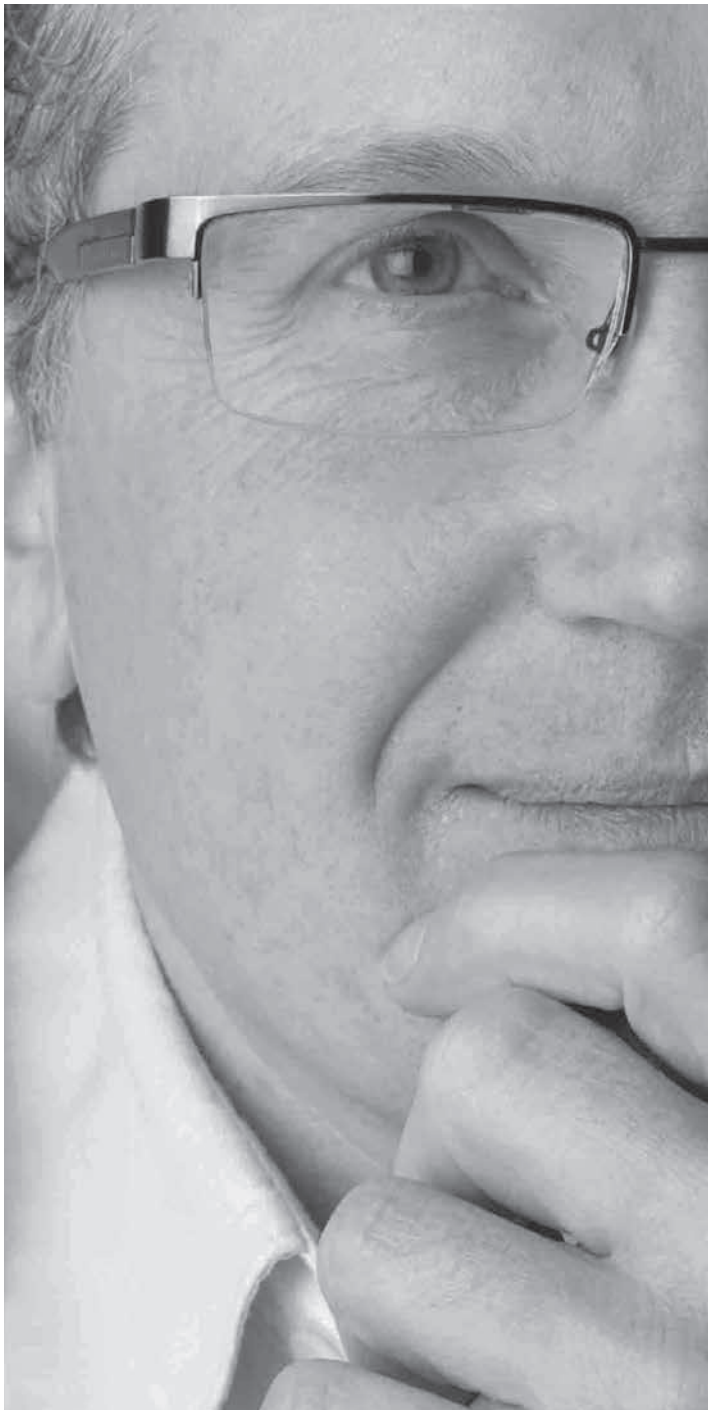


# ARJAN MOORS & ERIK MUNNIKHOF



 **INTERSTEEL**  
VAN LEEUWEN INTERNATIONAL

 **AC LEIGH**  
ARCHITECTURAL IRONMONGERS  
SECURITY SPECIALISTS



Signature: **Sliced**  
*Arjan Moors*



2013 ■

Arjan Moors is a design professional who has certainly earned his reputation in the (design) furniture industry. He is not just a product designer but also provides input for international trade fair stands. Arjan derives his energy and inspiration from the simplicity of the everyday. As well as completing a product design course at the Design Academy Eindhoven, he studied at the Maastricht Academy of Fine Arts and Design. In 2013 he was awarded the highly coveted IF design award for three door handle designs (handles no. 2, no. 4 and no. 5) for INTERSTEEL.

# No. 1



0035.072302



0035.072202



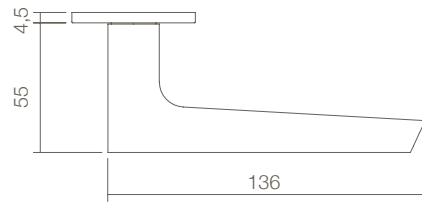
0036.072302



0036.072202



The art of elimination. This is how Japanese minimalism, which provided the inspiration for handle no. 1, could best be described. 'Less is Moors'. The handle, with its three edges, is characterised by the Japanese method. The handle is manufactured in solid stainless steel and is available in four finishes with separate rose unsprung.



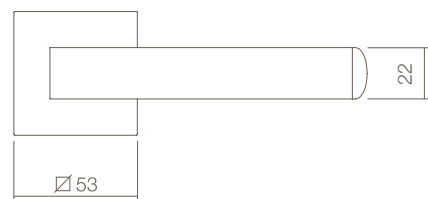
**AISI 304**

brushed stainless steel  
0035.072202

satin black brushed stainless steel  
0035.072302

polished stainless steel  
0036.072202

satin black polished stainless steel  
0036.072302



# No. 2



0035.072702



0035.072602



0036.072702



0036.072602



2013



This door handle is based on minimalist forms that are highly reminiscent of 'Bauhaus Design'. The designer subtly combines two basic shapes and uses the front edge to fuse them into a single form. Depending on the colour this edge is accentuated by the different finish. The handle is manufactured in solid stainless steel and is available in four finishes with separate rose unsprung.

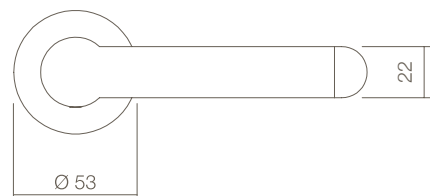
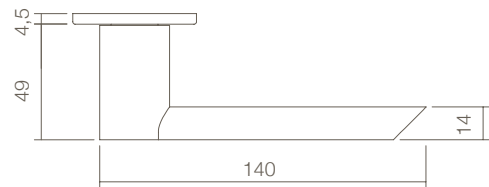


brushed stainless steel  
0035.072602

satin black brushed stainless steel  
0035.072702

polished stainless steel  
0036.072602

satin black polished stainless steel  
0036.072702



# No. 3



0035.072102



0035.072002



0036.072102



0036.072002



This design is inspired by a curved metal rod with a square profile. The designer uses the indent to subtly accentuate the curve created by bending the material. The handle is manufactured in solid stainless steel and is available in four finishes with separate rose unsprung.

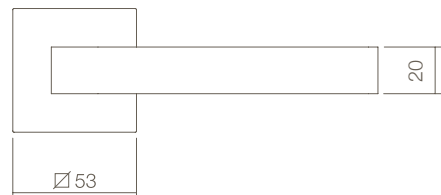
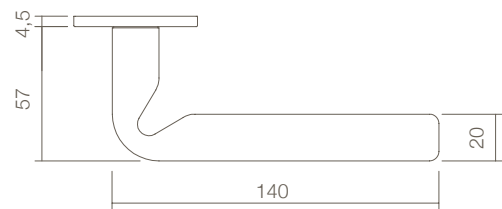


brushed stainless steel  
0035.072002

satin black brushed stainless steel  
0035.072102

polished stainless steel  
0036.072002

satin black polished stainless steel  
0036.072102



# No. 4



0035.072902



0035.072802



0036.072902



0036.072802



2013



Handle no. 4 in the Moors collection is a subtle reference to the past. The designer once again applies an edge to blend the different shapes into a single form. The handle is manufactured in solid stainless steel and is available in four finishes with separate rose unsprung.

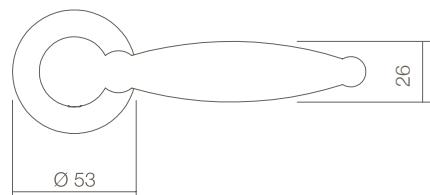
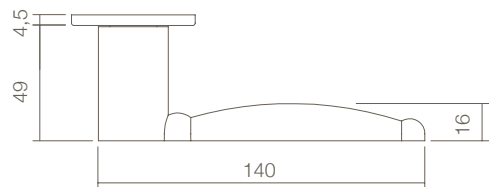


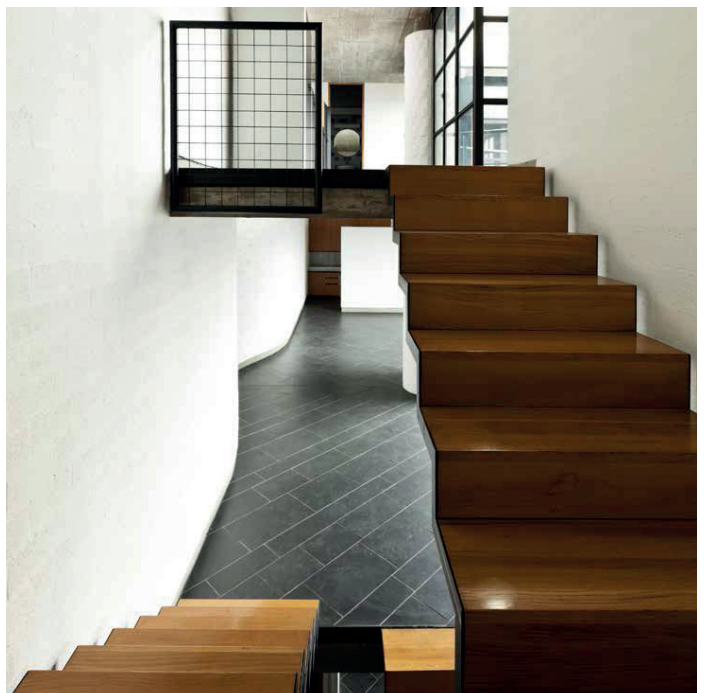
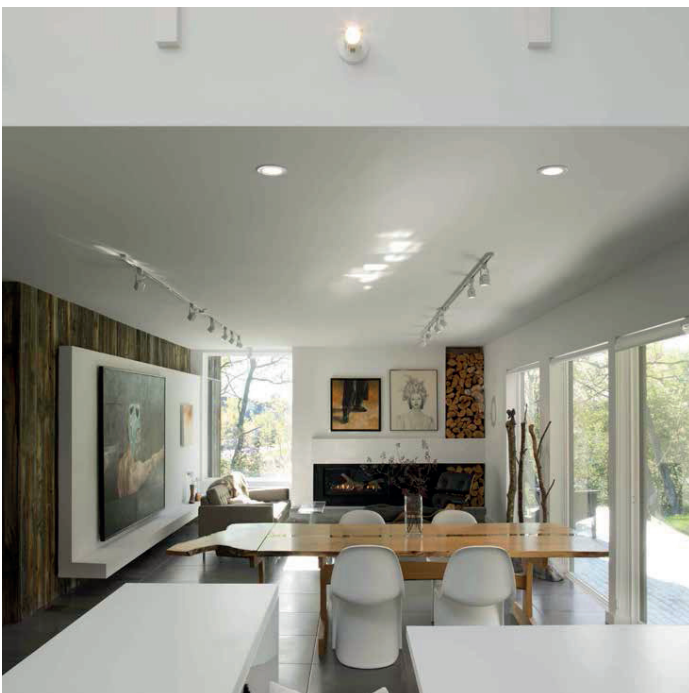
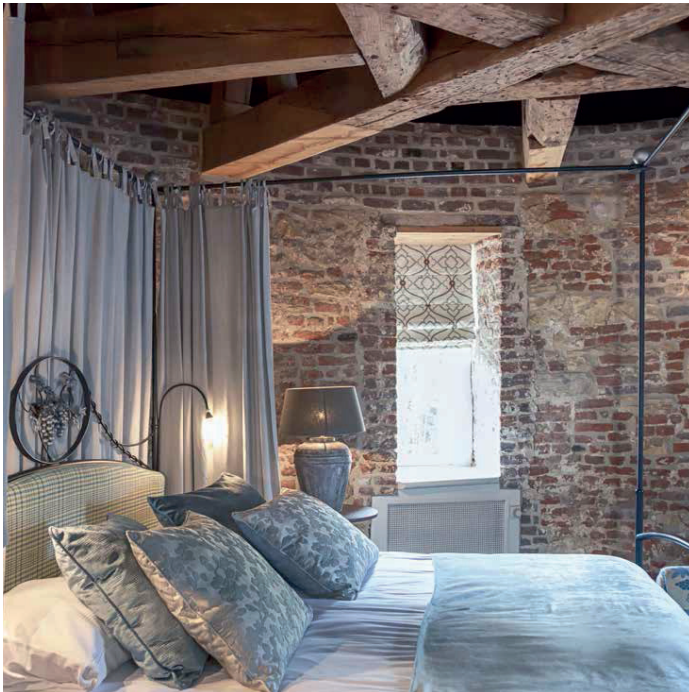
brushed stainless steel  
0035.072802

satin black brushed stainless steel  
0035.072902

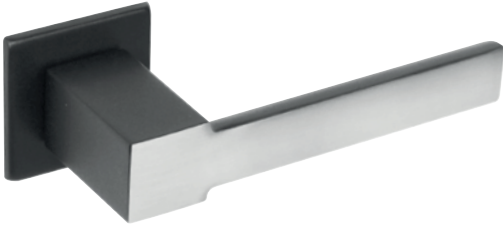
polished stainless steel  
0036.072802

satin black polished stainless steel  
0036.072902

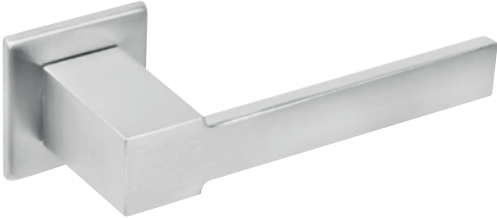




# No. 5



0035.072502



0035.072402



0036.072502



0036.072402



2013



Handle no. 5 is the square version of handle no. 2. The rounded rear edge of the handle also offers it an ergonomic grip. In terms of design handle no. 5 is highly reminiscent of the extremely popular designs from the 'Bauhaus' period. The handle is manufactured in solid stainless steel and is available in four finishes with separate rose unsprung.

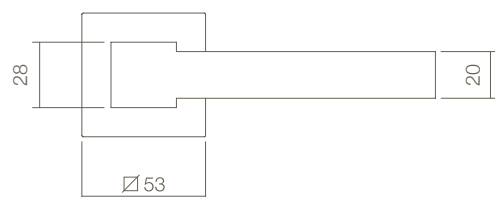
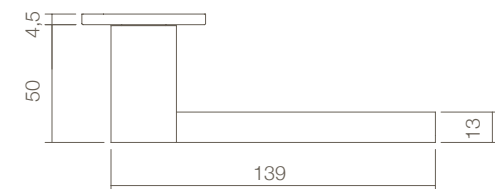


brushed stainless steel  
0035.072402

satin black brushed stainless steel  
0035.072502

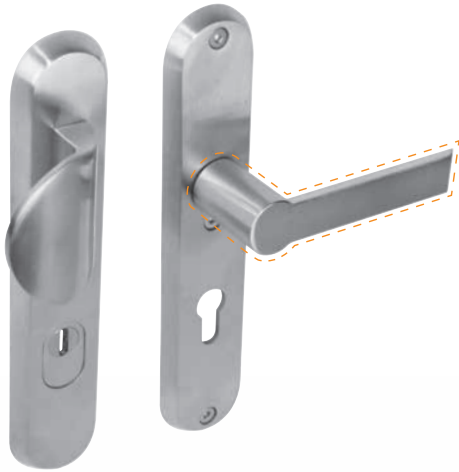
polished stainless steel  
0036.072402

satin black polished stainless steel  
0036.072502





# Security plates



72mm	0035.396036 +			0035.072602A
92mm	0035.396049 +			0035.072602B
				0035.072802A
				0035.072802B

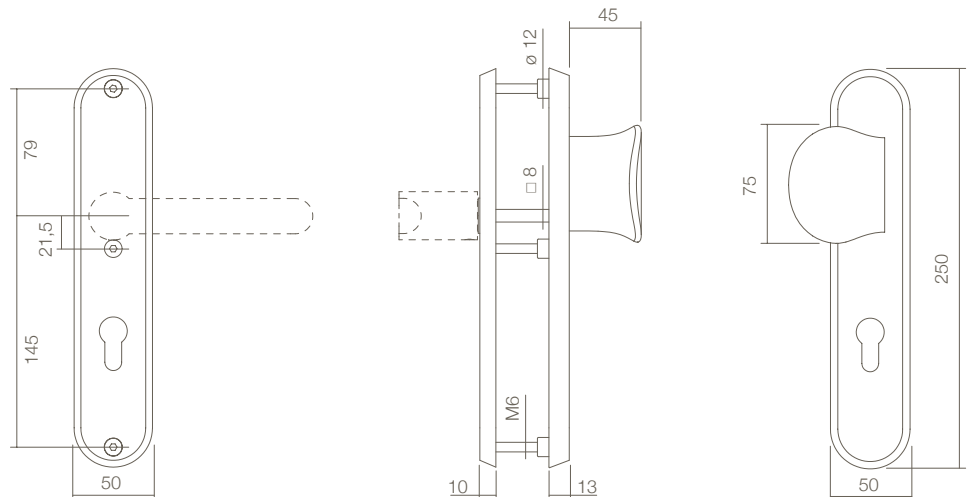


72mm	0035.396136 +			0035.072602
92mm	0035.396149 +			0035.072802

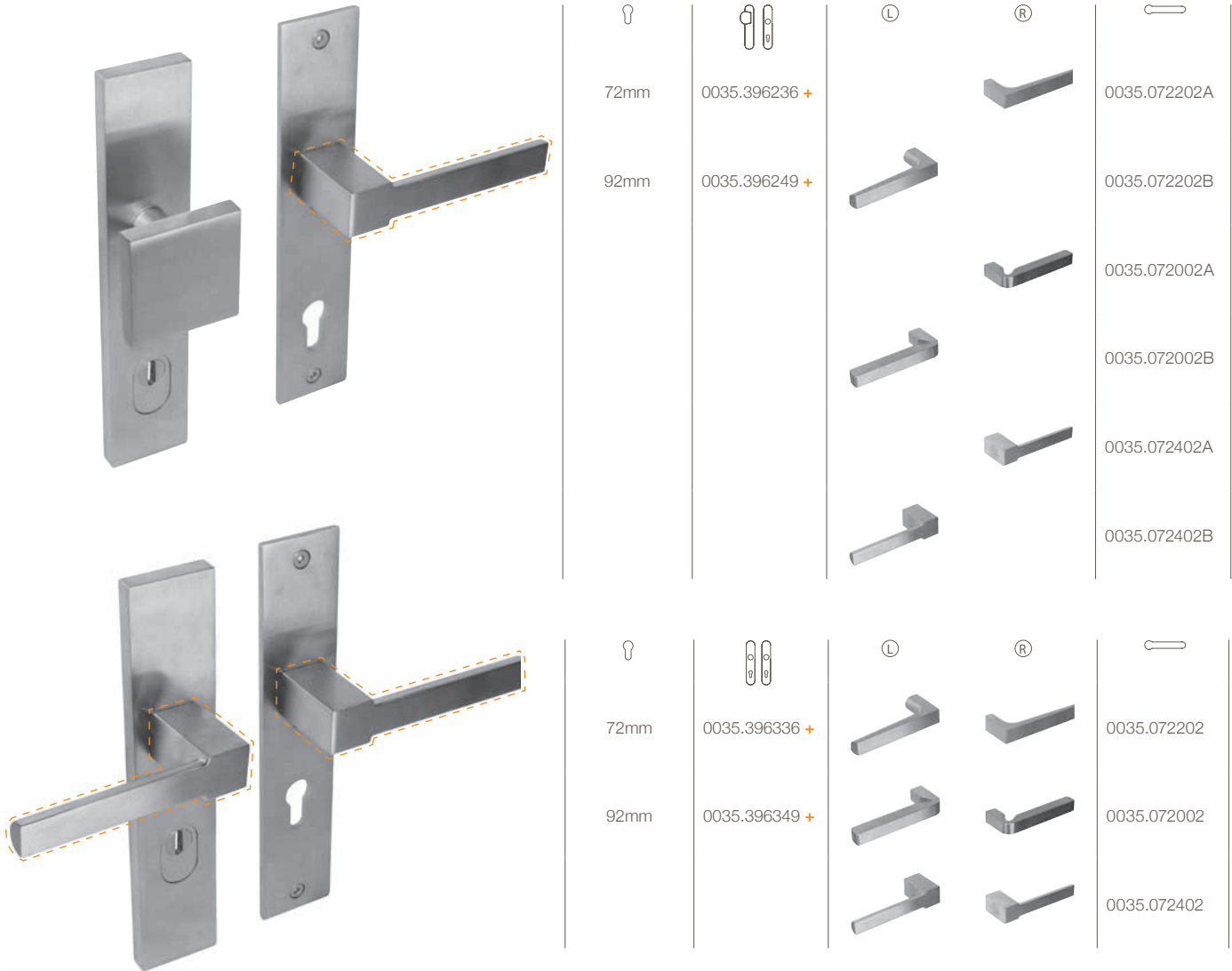
'Safety' and 'design' combined. Oval security plates with design door handles. Brushed stainless steel with subtle designed shapes emphasize the Range of the INTERSTEEL by Arjan Moors handles. Approved by SKG \*\*\* for maximum safety.



brushed stainless steel



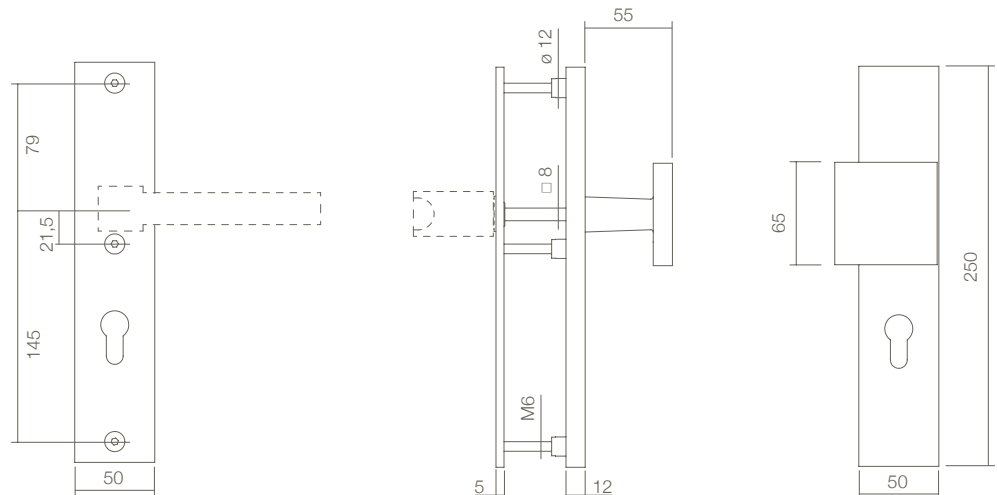
# Security plates

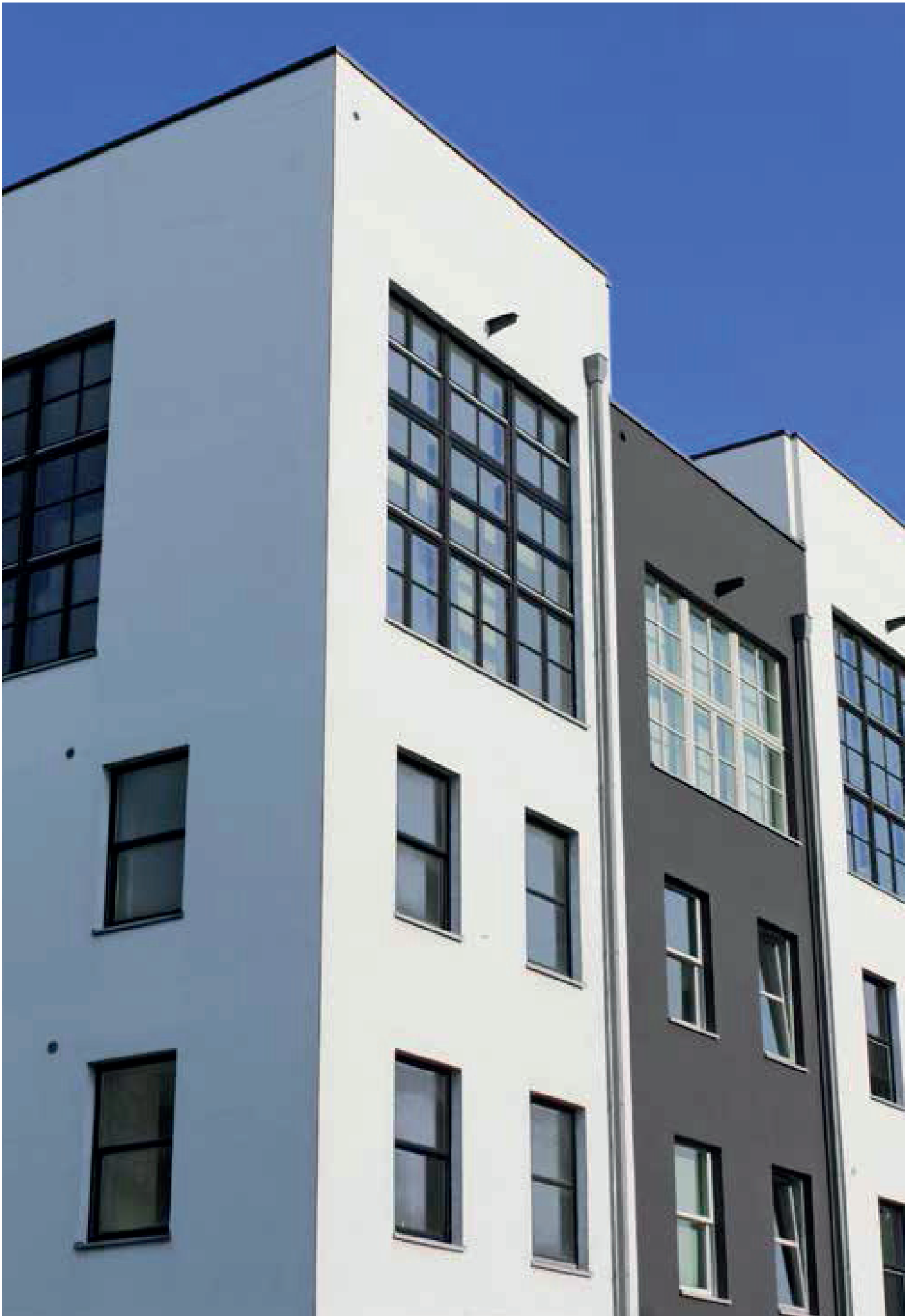


The rectangular security plates complete the INTERSTEEL by Arjan Moors Range. The sleek design can be easily combined with the different door handles. Maximum safety with the look and feel of exclusive design.



brushed stainless steel





# Accessories



0035.343116    0035.343117    0035.343160



0035.343316    0035.343317    0035.343360



0035.341316    0035.341317    0035.343060



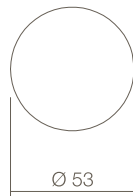
0035.343216    0035.343217    0035.343260



0036.341316    0036.341317    0036.343060



0036.343216    0036.343217    0036.343260



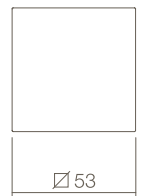
brushed stainless steel



satin black brushed stainless steel



polished stainless steel

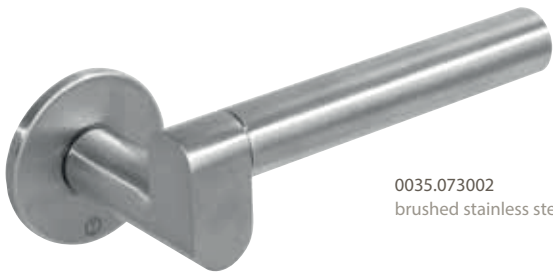




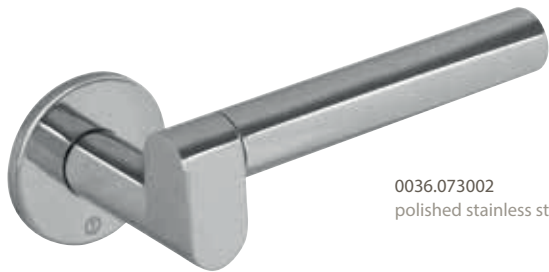
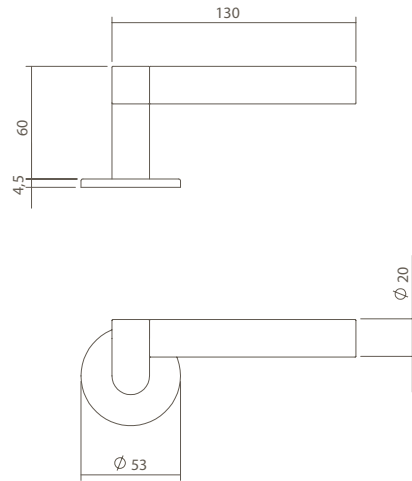
## Erik Munnikhof

The designs of Erik Munnikhof are characterized by a clean design. Geometry, symmetry and interesting technical principles are recurring elements in his designs. Erik is always looking for, as he puts it, "the optimal mix of aesthetics, ergonomics, ecology, economics, design and functionality." Erik received various design awards and recognitions, including his office furniture for Kembo and table series 'Wishbone' for Casala. These design features are returning elements in the design of the 'Dock' line doorhandles. This line is modular so the customer can choose between the warmth of walnut, the modern look of stainless steel or the soft feel of synthetic material.

# Lever handle Dock Solid



0035.073002  
brushed stainless steel

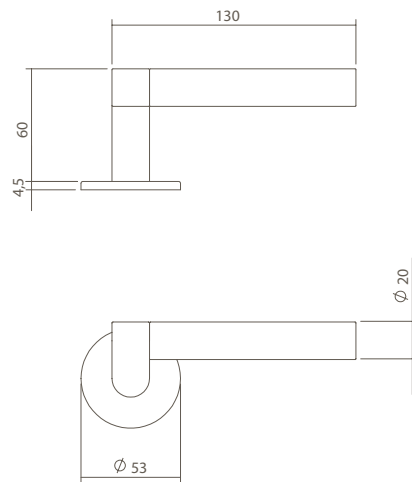


0036.073002  
polished stainless steel

# Lever handle Dock Wood

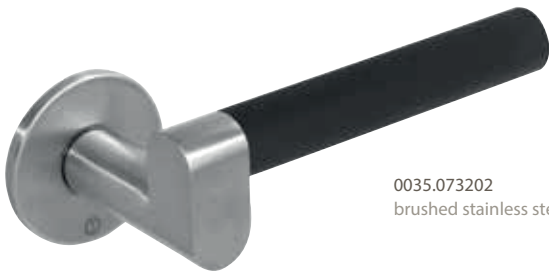


0035.073102  
brushed stainless steel - wood

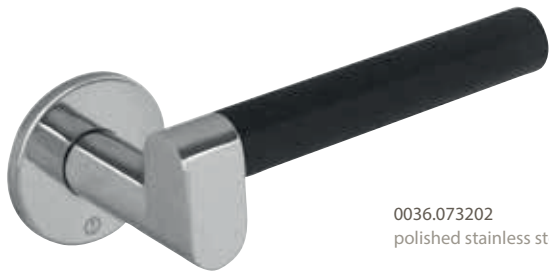
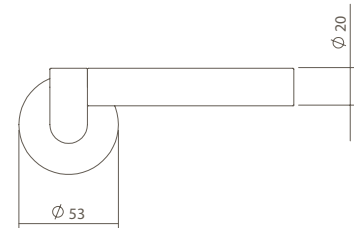
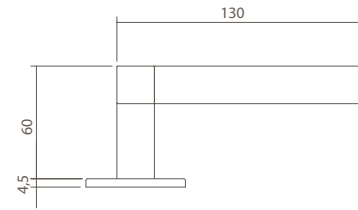


0036.073102  
polished stainless steel - wood

# Lever handle Dock Black

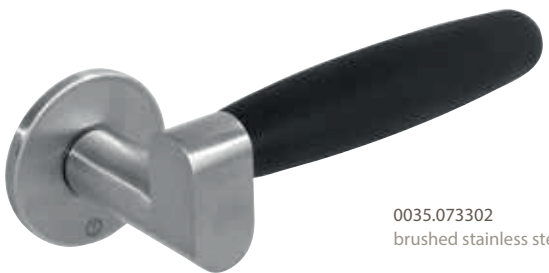


0035.073202  
 brushed stainless steel - acrylic

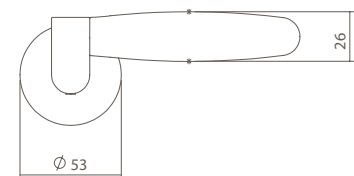
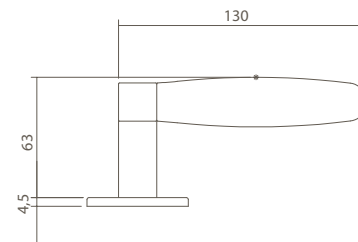


0036.073202  
 polished stainless steel - acrylic

# Lever handle Dock Ton



0035.073302  
 brushed stainless steel - acrylic



0036.073302  
 polished stainless steel - acrylic

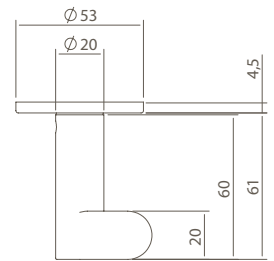


## Pull handle Dock Solid



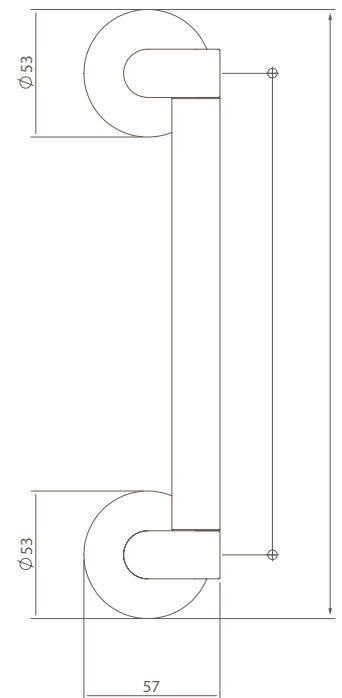
	⊕⊕	↔
0035.073098	150mm	200mm
0035.073099	200mm	250mm

brushed stainless steel; Single sided assembly



	⊕⊕	↔
0036.073098	150mm	200mm
0036.073099	200mm	250mm

polished stainless steel; Single sided assembly





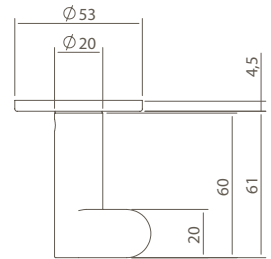


## Pull handle Dock Black



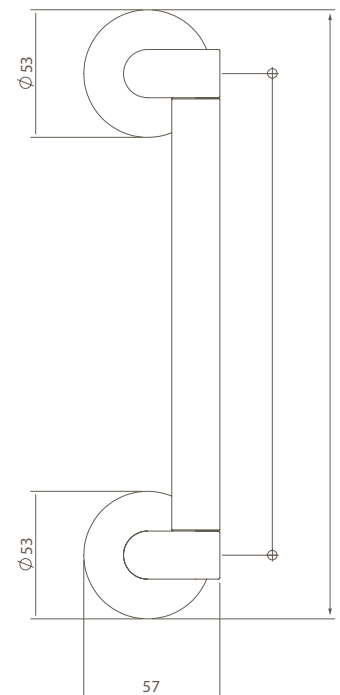
	⊕⊕	↔
0035.073298	150mm	200mm
0035.073299	200mm	250mm

brushed stainless steel - acrylic; Single sided assembly



	⊕⊕	↔
0036.073298	150mm	200mm
0036.073299	200mm	250mm

polished stainless steel - acrylic; Single sided assembly

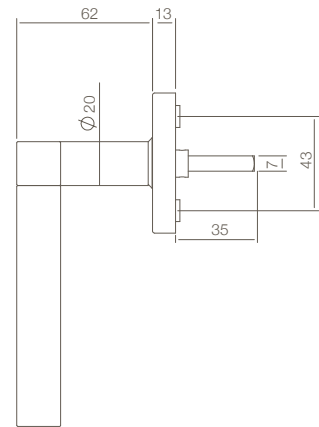


# Window handle Dock Solid



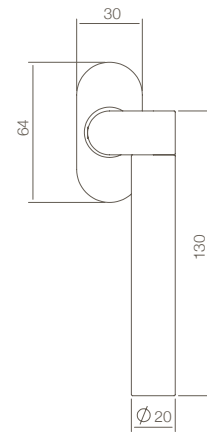
Ⓡ 0035.073095A  
 brushed stainless steel

Ⓛ 0035.073095B



Ⓡ 0036.073095A  
 polished stainless steel

Ⓛ 0036.073095B



Ⓡ 0035.073195A  
 brushed stainless steel - wood

Ⓛ 0035.073195B



Ⓡ 0035.073295A  
 brushed stainless steel - acrylic

Ⓛ 0035.073295B



Ⓡ 0036.073195A  
 polished stainless steel - wood

Ⓛ 0036.073195B



Ⓡ 0036.073295A  
 polished stainless steel - acrylic

Ⓛ 0036.073295B

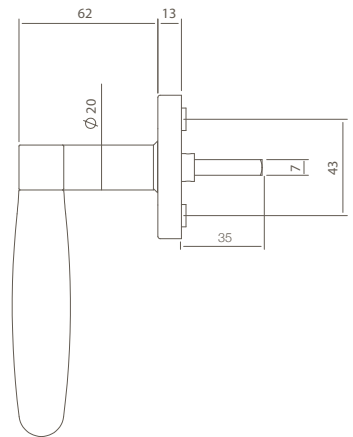


# Window handle Dock Ton



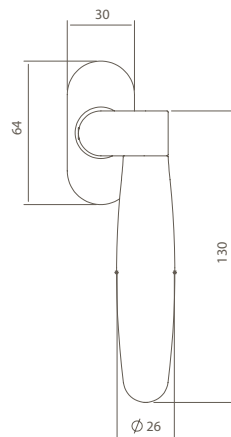
Ⓡ  
0035.073395A  
brushed stainless steel - acrylic

Ⓛ  
0035.073395B



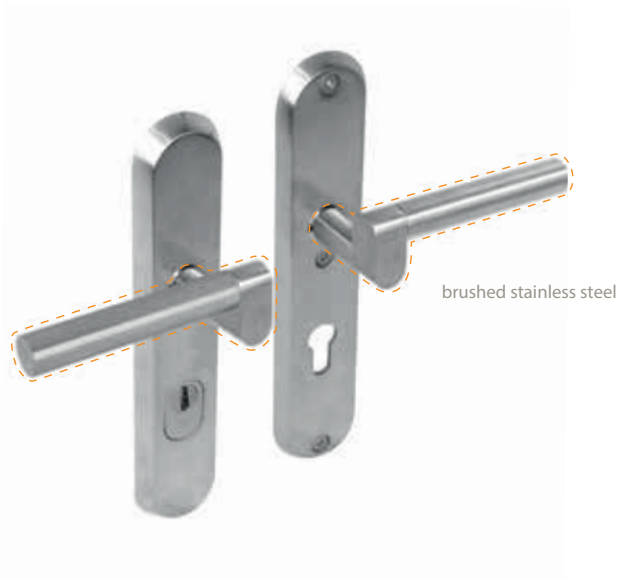
Ⓡ  
0036.073395A  
polished stainless steel - acrylic

Ⓛ  
0036.073395B

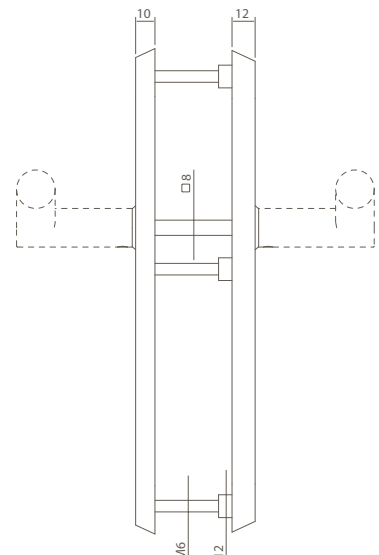
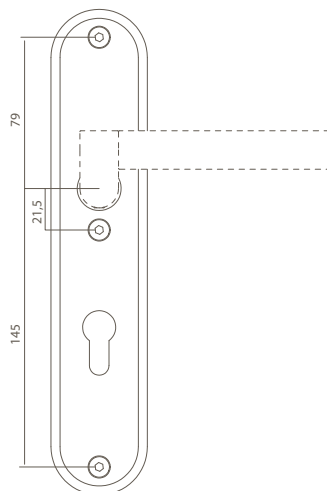
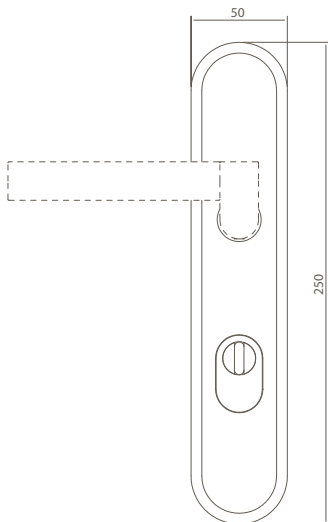




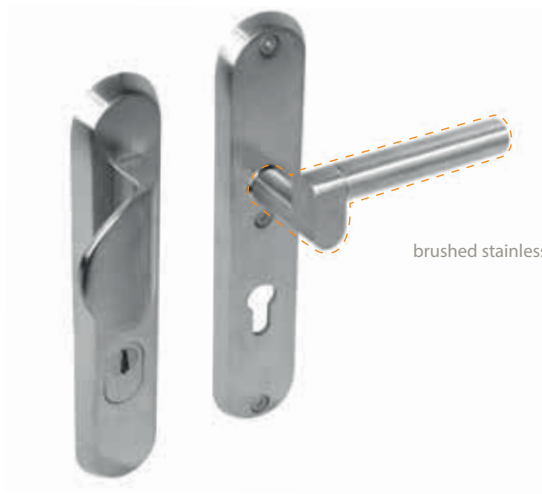
# Security plates



🔑	🔑	Ⓛ	Ⓡ	🔑
72mm	0035.396136 +			0035.073002
92mm	0035.396149 +			0035.073102
				0035.073202
				0035.073302



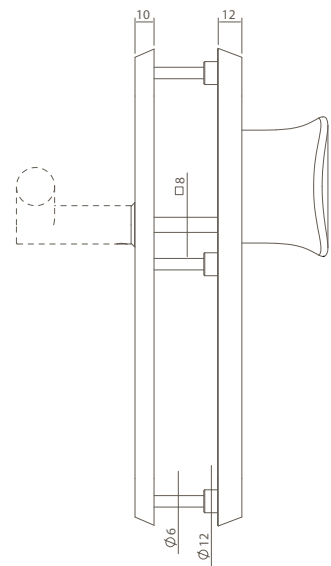
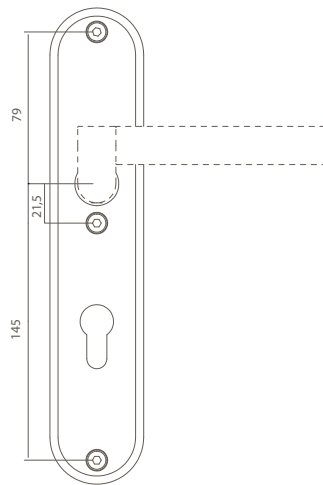
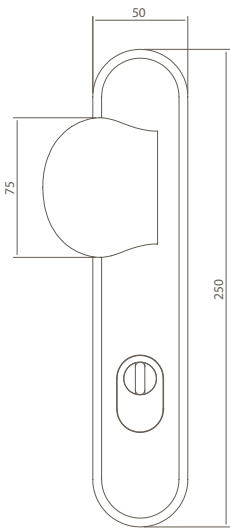
# Security plates



brushed stainless steel



72mm	0035.396036 +			0035.073002A
92mm	0035.396049 +			0035.073002B
				0035.073102A
				0035.073102B
				0035.073202A
				0035.073202B
				0035.073302A
				0035.073302B



# Accessories

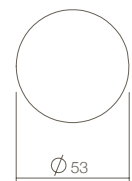


0035.341316

0035.341317

0035.343060

brushed stainless steel



0036.341316

0036.341317

0036.343060

polished stainless steel

#### **NORWICH**

61-67 St. Benedicts Street,  
Norwich, NR2 4PD  
Tel: 01603 216500  
Fax: 01603 216510  
Email: [sales@acleigh.co.uk](mailto:sales@acleigh.co.uk)

#### **COLCHESTER**

11 Grange Way,  
Whitehall Industrial Estate,  
Colchester, CO2 8HG  
Tel: 01206 877488  
Fax: 01206 877480  
Email: [colchester@acleigh.co.uk](mailto:colchester@acleigh.co.uk)

#### **IPSWICH**

Unit 2-3, Dencora Business Centre,  
Whitehouse Road, Ipswich, IPI 5LT  
Tel: 01473 292810  
Fax: 01473 292818  
Email: [ipswich@acleigh.co.uk](mailto:ipswich@acleigh.co.uk)