



DOOR CLOSER RANGE



AC LEIGH

ARCHITECTURAL IRONMONGERS
SECURITY SPECIALISTS

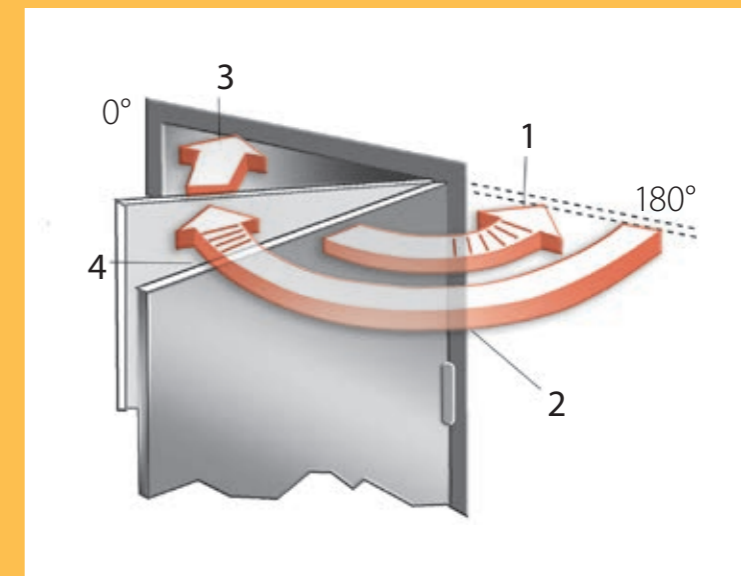


GEZE offers door closer systems for any type of door with a range of individual setting options. From the smallest overhead door closer to the multi-faceted variations for use with fire and smoke protection doors: The door closer ranges with link arm or guide rails offer a range of combination options to meet every requirement.

GEZE door closers are some of the best known in the world. Daily, millions of people enjoy the obvious conveniences of automatic door systems. Individual and building-specific special constructions, for example, revolving doors or all glass systems are implemented by a subsidiary. Product solutions from GEZE can be found in renowned buildings across the entire world.

OVERVIEW

	TS 1500	TS 2000	TS 2000 NV	TS 2000 NV BC	TS 3000 B	TS 3000 EC	TS 3000 V	TS 4000	TS 4000 S	TS 5000	TS 5000 L	TS 5000 ECLine	TS 5000 L ECLine
Approval for fire & smoke protection doors	●	●	●		●	●	●	●	●	●	●	●	●
Closing force acc. to EN 1154	3-4	2-4	2-4	2-4	2-4	2-3	1-4	1-6	1-6	2-6	2-6	3-5	3-5
Max. door leaf width (mm)	1100	1100	1100	1100	1100	950	1100	1400	1400	1400	1400	1250	1250
Mounting Options													
Door leaf installation, hinge side	●	●	●	●	●	●	●	●	●	●		●	●
Transom installation, hinge side	●	●	●	●	●		●				●		
Opening angle (max.) hinge side	180°	180°	180°	180°	120°	120°	180°	180°	180°	180°	120°	180°	120°
Door leaf installation, opposite hinge side	●	●	●	●			●	●	●		●		●
Transom installation, opposite hinge side	●	●	●	●			●	●	●	●			
Functions													
Guide rail					●	●				●	●	●	●
Projecting arm	●	●	●	●			●						
Adjustable closing force	●	●	●	●	●	●	●	●	●	●	●	●	●
Adjustable backcheck				●						●			
Adjustable latching action	●	●	●	●	●	●	●	●	●	●	●	●	●
Adjustable delayed closing action									●	Opt.			
Adjustable closing speed	●	●	●	●	●	●	●	●	●	●	●	●	●
CAM mechanism					●								
Rack & pinion mechanism	●	●	●	●		●	●	●	●	●	●		
Spring assisted rack & pinion mechanism												●	●
Low opening force					●	●						●	●
Body dimensions (mm)	length	177	226	226	226	260	226	226	287	287	287	287	287
	overall depth	39	48	48	48	40	48	48	46	46	48	48	48
	height	50	60	60	60	50	60	60	60	60	60	60	60



1. BACKCHECK

When doors are pushed open forcefully by approximately 90°, this function is activated in order to slow them down.

However, it must not be used as a substitute for separate measures designed to limit the opening angle (such as a door stopper or other structural methods), e.g. in the case of doors that open outwards or are liable to be exposed to wind.

2. CLOSING SPEED

The speed at which a door closes can be set on an individual basis.

3. LATCHING ACTION

When the door is just a few degrees away from reaching the closed position, this function increases the door speed in order to overcome any closing resistance (e.g. in the form of air resistance).

4. DELAYED CLOSING ACTION

This function reduces the closing speed of a door or stops the door so that people have enough time to get through it.

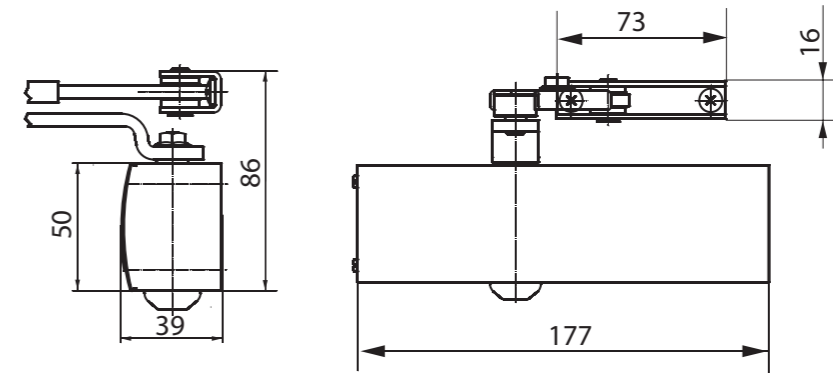
TS 1500



TS 1500 overhead door closer is suitable for internal single-leaf doors with a leaf width of up to 1100 mm. The closing speed and hydraulic latching action can be adjusted.

There are two different closing force settings, which can be selected simply by turning the bearing block for the link arm: "weak" closing force (size 3 acc. to EN 1154) for door leaf widths of up to 950 mm and "strong" closing force (size 4 acc. to EN 1154) for door leaf widths of up to 1100 mm.

The door closer is available with an optional mounting plate and is suitable for left and right single action doors without the need for conversion.



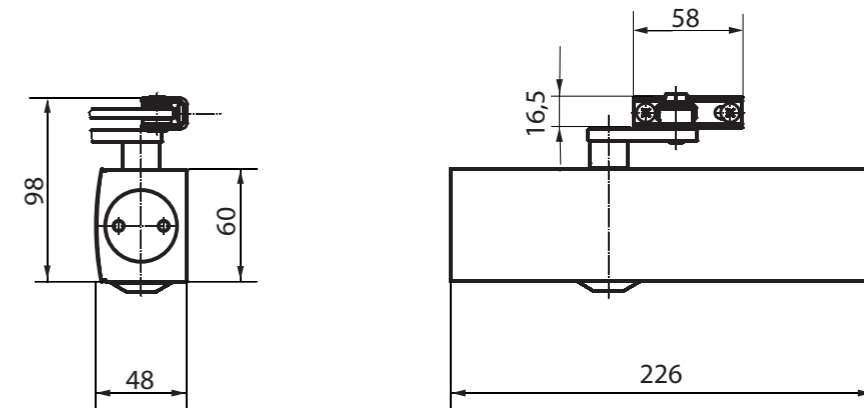
SPECIAL VERSION

GEZE TS 1500 with hold-open linkage with adjustable hold-open angle of between 70° and 150°.

		TS 1500
Approval for fire & smoke protection doors		●
Closing force acc. to EN 1154		3-4
Max. door leaf width (mm)		1100
Mounting Options		
Door leaf installation, hinge side		●
Transom installation, hinge side		●
Opening angle (max.) hinge side		180°
Door leaf installation, opposite hinge side		●
Transom installation, opposite hinge side		●
Functions		
Projecting arm		●
Adjustable closing force		●
Adjustable latching action		●
Adjustable closing speed		●
Rack & pinion mechanism		●
Body dimensions (mm)	length	177
	overall depth	39
	height	50



TS 2000



	TS 2000	TS 2000 NV	TS 2000 NV BC
Approval for fire & smoke protection doors	●	●	
Closing force acc. to EN 1154	2-4	2-4	2-4
Max. door leaf width (mm)	1100	1100	1100

Mounting Options			
Door leaf installation, hinge side	●	●	●
Transom installation, hinge side	●	●	●
Opening angle (max.) hinge side	180°	180°	180°
Door leaf installation, opposite hinge side	●	●	●
Transom installation, opposite hinge side	●	●	●

Functions			
Projecting arm	●	●	●
Adjustable closing force	●	●	●
Adjustable backcheck			●
Adjustable latching action	●	●	●
Adjustable closing speed	●	●	●
Rack & pinion mechanism	●	●	●
Body dimensions (mm)	length	226	226
	overall depth	48	48
	height	60	60

TS 2000 overhead door closer is approved for use with left-hand and right-hand single-action doors with leaf widths of up to 1100 mm (without the need for conversion) and for use on fire and smoke protection doors.

The closing force in accordance with DIN EN 1154 size 2-4 can be variably adjusted at the side.

The closing speed and latching action can be conveniently adjusted from the front.

SPECIAL VERSIONS

GEZE TS 2000 NV BC with hydraulic back check that can be adjusted from the front.

GEZE TS 2000 NV/ NV BC with hold-open linkage with adjustable hold-open angle of between 70° and 150°.

TS 3000 B



Surface-mounted boxer cam-action GEZE TS 3000 B for single action doors according to EN 1154 A, with guide rail, adjustable (when installed) closing force, closing speed and latching speed.

For right and left closing doors up to 130 kg leaf weight and up to 1100 mm leaf width.

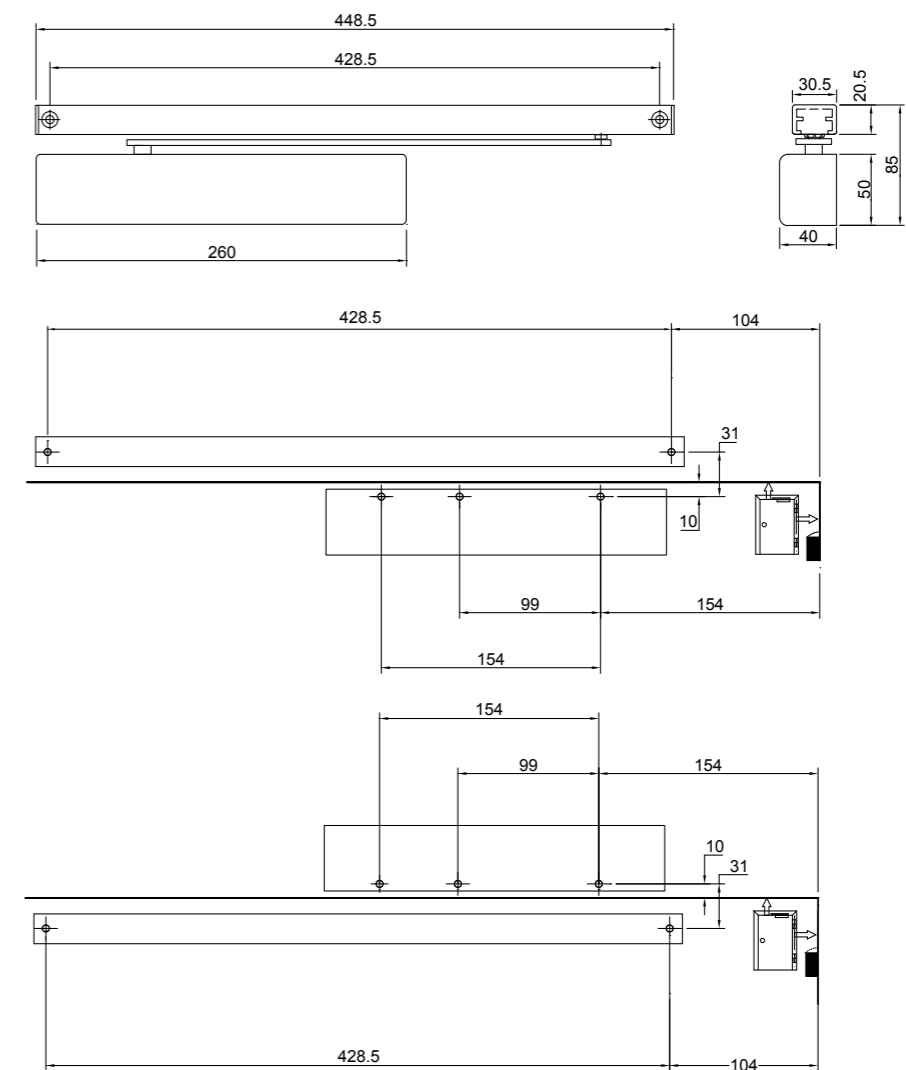
SPECIAL VERSIONS

GEZE TS 3000 B complete with hold-open angle that is infinitely variable from 80° to 130°. This is applicable to electromechanical hold-open and manual holdopen devices.

Manual hold-open is not suitable for fire door applications.

GEZE TS 3000 B includes electromechanical hold-open arm, 24V DC (release devices by others).

		TS 3000 B
Approval for fire & smoke protection doors		●
Closing force acc. to EN 1154		2-4
Max. door leaf width (mm)		1100
Mounting Options		
Door leaf installation, hinge side		●
Transom installation, hinge side		●
Opening angle (max.) hinge side		120°
Functions		
Guide rail		●
Adjustable closing force		●
Adjustable latching action		●
Adjustable closing speed		●
CAM mechanism		●
Low opening force		●
Body dimensions (mm)	length	260
	overall depth	40
	height	50



TS 3000 EC/V



	TS 3000 EC	TS 3000 V
Approval for fire & smoke protection doors	●	●
Closing force acc. to EN 1154	2-3	1-4
Max. door leaf width (mm)	950	1100

Mounting Options		
Door leaf installation, hinge side	●	●
Transom installation, hinge side		●
Opening angle (max.) hinge side	120°	180°
Door leaf installation, opposite hinge side		●
Transom installation, opposite hinge side		●

Functions		
Guide rail	●	
Projecting arm		●
Adjustable closing force	●	●
Adjustable latching action	●	●
Adjustable closing speed	●	●
Rack & pinion mechanism	●	●
Low opening force	●	
Body dimensions (mm)	length	226
	overall depth	48
	height	60

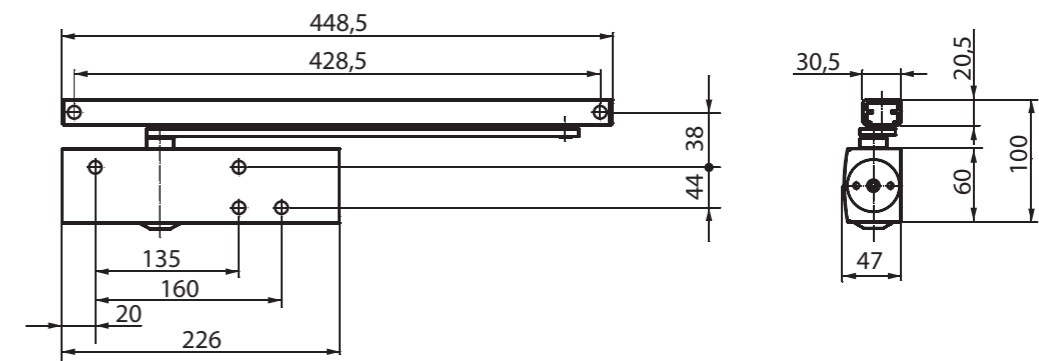
The overhead door closer TS 3000 V is approved for 1-leaf right and left single-action doors of up to 1100 mm and for installation on smoke and fire protection doors.

The closing force, size 1-4 acc. to EN 1154, can be adjusted at the side, the hydraulic latching action and thermally stabilised closing speed can be adjusted from the front.

SPECIAL VERSIONS

TS 3000 V with mechanical hold-open device with variable adjustment between 80° and 130° (not permissible on smoke and fire protection doors).

TS 3000 V BC with backcheck adjustable from the front.



TS 4000



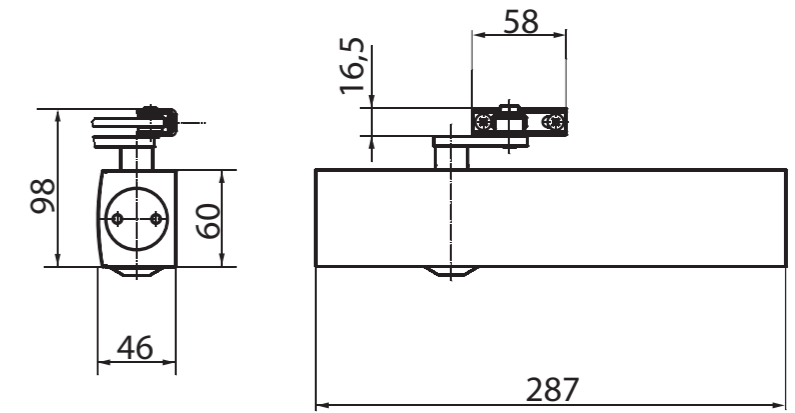
TS 4000 overhead door closer is approved for use with left and right single-action doors with leaf widths up to 1400 mm (without any need for conversion) and for mounting on fire and smoke protection doors.

The closing force to EN 1154 size 1-6 is infinitely variable from the front and is easy to monitor thanks to the optical size indicator. The back check and thermo-constant closing speed are also adjustable from the front; the latching action is adjusted by means of the link arm. The closer features a safety valve for both the open and close directions.

SPECIAL VERSIONS

GEZE TS 4000 with hold-open linkage hold-open angle up to 150° (must not be used on fire and smoke protection doors)

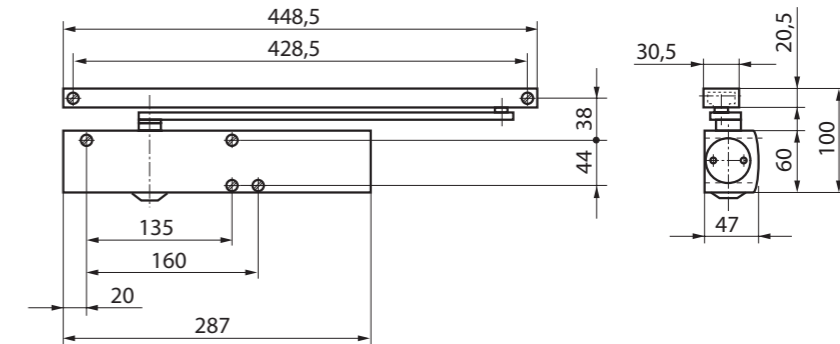
GEZE TS 4000 S with delayed closing action of up to 30 seconds, adjustable from the front (delayed closing action not effective with transom installation on opposite hinge side).



	TS 4000	TS 4000 S	
Approval for fire & smoke protection doors	●	●	
Closing force acc. to EN 1154	1-6	1-6	
Max. door leaf width (mm)	1400	1400	
Mounting Options			
Door leaf installation, hinge side	●	●	
Opening angle (max.) hinge side	180°	180°	
Door leaf installation, opposite hinge side	●	●	
Transom installation, opposite hinge side	●	●	
Functions			
Adjustable closing force	●	●	
Adjustable backcheck		●	
Adjustable latching action	●	●	
Adjustable delayed closing action		●	
Adjustable closing speed	●	●	
Rack & pinion mechanism	●	●	
Body dimensions (mm)	length	287	287
	overall depth	46	46
	height	60	60



TS 5000



The overhead door closer TS 5000 stands for clear lines and numerous system variants. It is approved for 1-leaf right and left single-action doors with larger leaf widths of up to 1400 mm and for use on smoke and fire protection doors.

The closing force, size 2-6 acc. to EN 1154, the thermally stabilised closing speed, the hydraulic latching action and the back check can all easily be regulated from the front in the installed state. The set closing force can easily be checked due to the closing force display.

SPECIAL VERSIONS

GEZE TS 5000 with mechanical hold-open device, freely adjustable between 80° and 130° (not permissible for use on smoke and fire protection doors)

GEZE door closer TS 5000 S with delayed closing action adjustable from the front

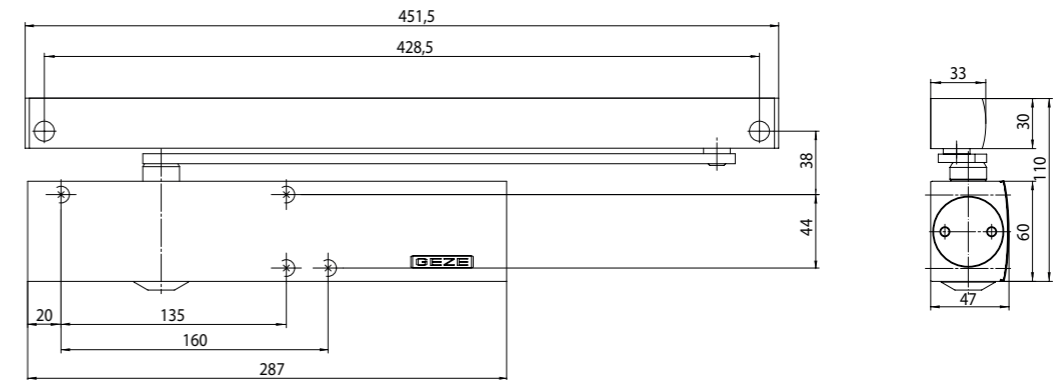
	TS 5000	TS 5000 L
Approval for fire & smoke protection doors	●	●
Closing force acc. to EN 1154	2-6	2-6
Max. door leaf width (mm)	1400	1400
Mounting Options		
Door leaf installation, hinge side	●	
Transom installation, hinge side		●
Opening angle (max.) hinge side	180°	120°
Door leaf installation, opposite hinge side		●
Transom installation, opposite hinge side	●	
Functions		
Guide rail	●	●
Adjustable closing force	●	●
Adjustable latching action	●	●
Adjustable delayed closing action	Opt.	
Adjustable closing speed	●	●
Rack & pinion mechanism	●	●
Body dimensions (mm)		
length	287	287
overall depth	48	48
height	60	60

TS 5000 ECLine

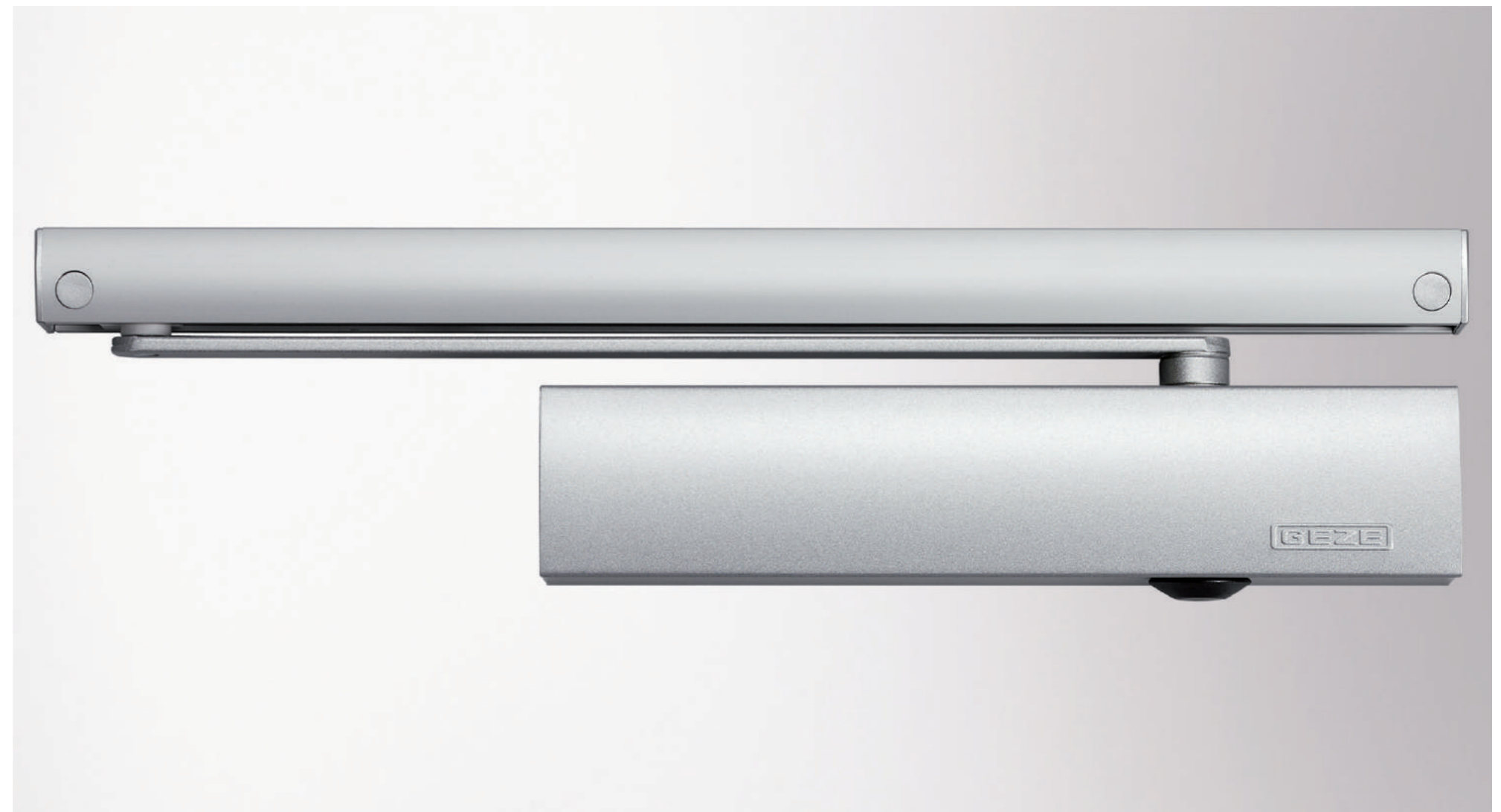
The TS 5000 ECLine is the ideal solution for barrier-free buildings.

Due to a consistent efficiency optimization of the entire system, the door closer achieves the high closing force EN5, respecting the maximum opening torque of 47 Nm, complying with the requirements of DIN 18040 standard. Thus, doors with leaf widths of up to 1250 millimetre can be equipped for better accessibility.

The efficiency of the TS 5000 ECLine door closer, assured by official measurements, exceeds 80 %, i.e. almost the entire force applied to open the door will be reused as closing force. Within the opening angle of 2°-60°, the new ECLine guide rail enables a decreasing opening torque of about 40% according to the DIN SPEC 1104 recommendation. The result is an easier opening and a more convenient use of the door. Depending on the application, the opening support can also be switched off – for example, on doors exposed to wind load or pressure differences.



	TS 5000 ECLine	TS 5000 L ECLine
Approval for fire & smoke protection doors	●	●
Closing force acc. to EN 1154	3-5	3-5
Max. door leaf width (mm)	1250	1250
Mounting Options		
Door leaf installation, hinge side	●	●
Opening angle (max.) hinge side	180°	120°
Door leaf installation, opposite hinge side		●
Functions		
Guide rail	●	●
Adjustable closing force	●	●
Adjustable latching action	●	●
Adjustable closing speed	●	●
Spring assisted rack & pinion mechanism	●	●
Low opening force	●	●
Body dimensions (mm)		
length	287	287
overall depth	48	48
height	60	60



NORWICH

61-67 St. Benedicts Street,
Norwich, NR2 4PD
Tel: 01603 216500
Fax: 01603 216510
Email: sales@acleigh.co.uk

COLCHESTER

11 Grange Way,
Whitehall Industrial Estate,
Colchester, CO2 8HG
Tel: 01206 877488
Fax: 01206 877480
Email: colchester@acleigh.co.uk

IPSWICH

Unit 2-3, Dencora Business Centre,
Whitehouse Road, Ipswich, IPI 5LT
Tel: 01473 292810
Fax: 01473 292818
Email: ipswich@acleigh.co.uk

AC LEIGH SECURITY

3 Robberds Way,
Bowthorpe,
Norwich, NR5 9JF
Tel: 01603 216501
Fax: 01603 216514
Email: security@acleigh.co.uk

www.acleigh.co.uk