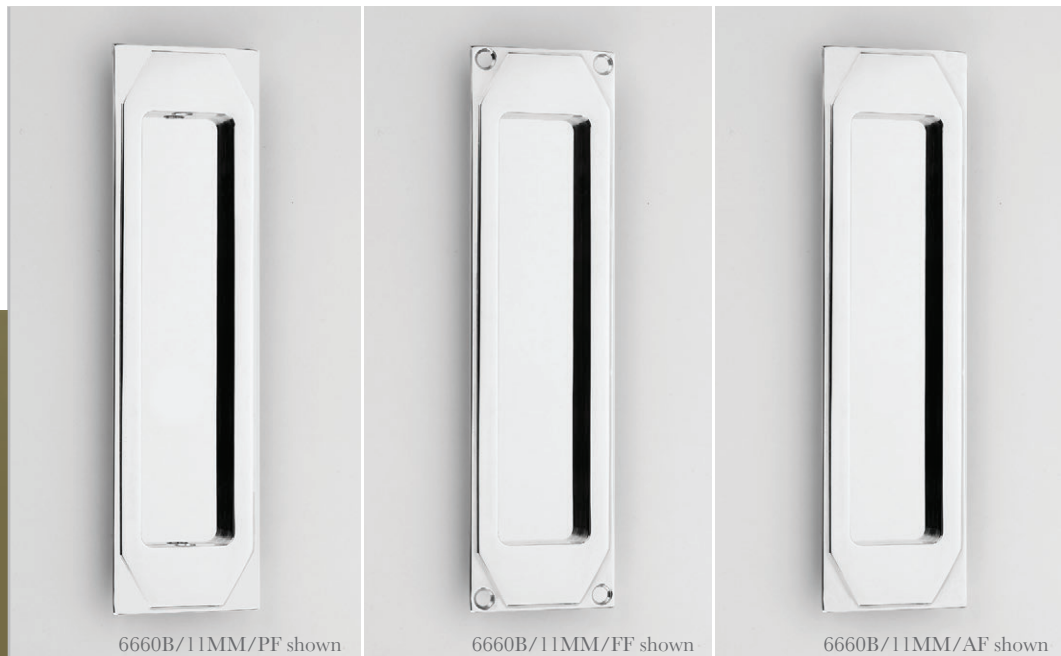


# Flush Pulls - Plain

A choice of nine Flush Pull designs, all available in ten sizes with three depth options, and either Face, Pocket or Adhesive fixed - all offered with a choice of functions. Please note: Adhesive fix is not recommended for the Turn option.

6860A/11MM/AF/IBU



6660B/11MM/PF shown

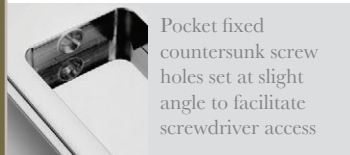
6660B/11MM/FF shown

6660B/11MM/AF shown

▲ **PF** pocket fixed  
(available 11 & 14mm depths only)

▲ **FF** face fixed  
(available in all depths)

▲ **AF** adhesive fixed  
(available in all depths)



Pocket fixed countersunk screw holes set at slight angle to facilitate screwdriver access



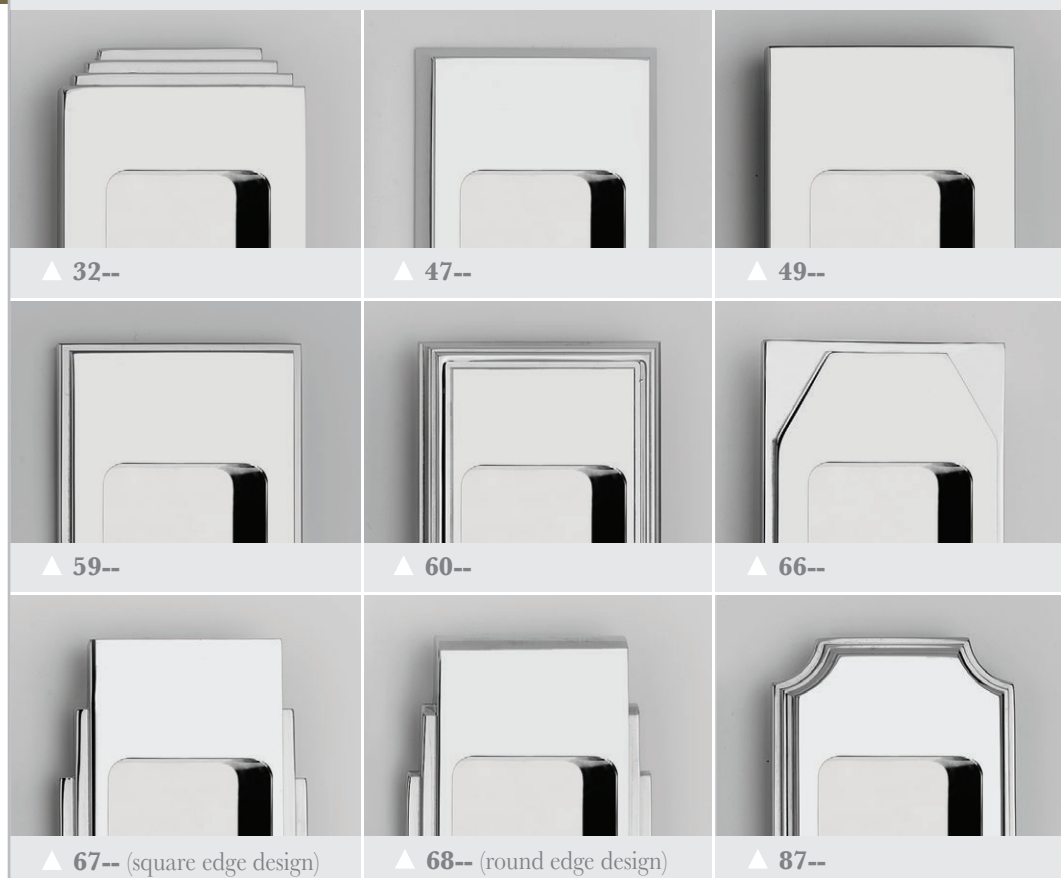
Overall Depth	9*	11	14
Code	9MM	11MM	14MM

\* pocket fixing not available 9mm deep



**FUNCTION OPTIONS -**  
see pages  
DF4:030 & 040

## FACE PLATE DESIGNS (51mm width shown)



▲ 32--

▲ 47--

▲ 49--

▲ 59--

▲ 60--

▲ 66--

▲ 67-- (square edge design)

▲ 68-- (round edge design)

▲ 87--

### Fixings

Face fixed & Pocket fixed versions supplied with finish matched no.6 x 19mm wood screws.

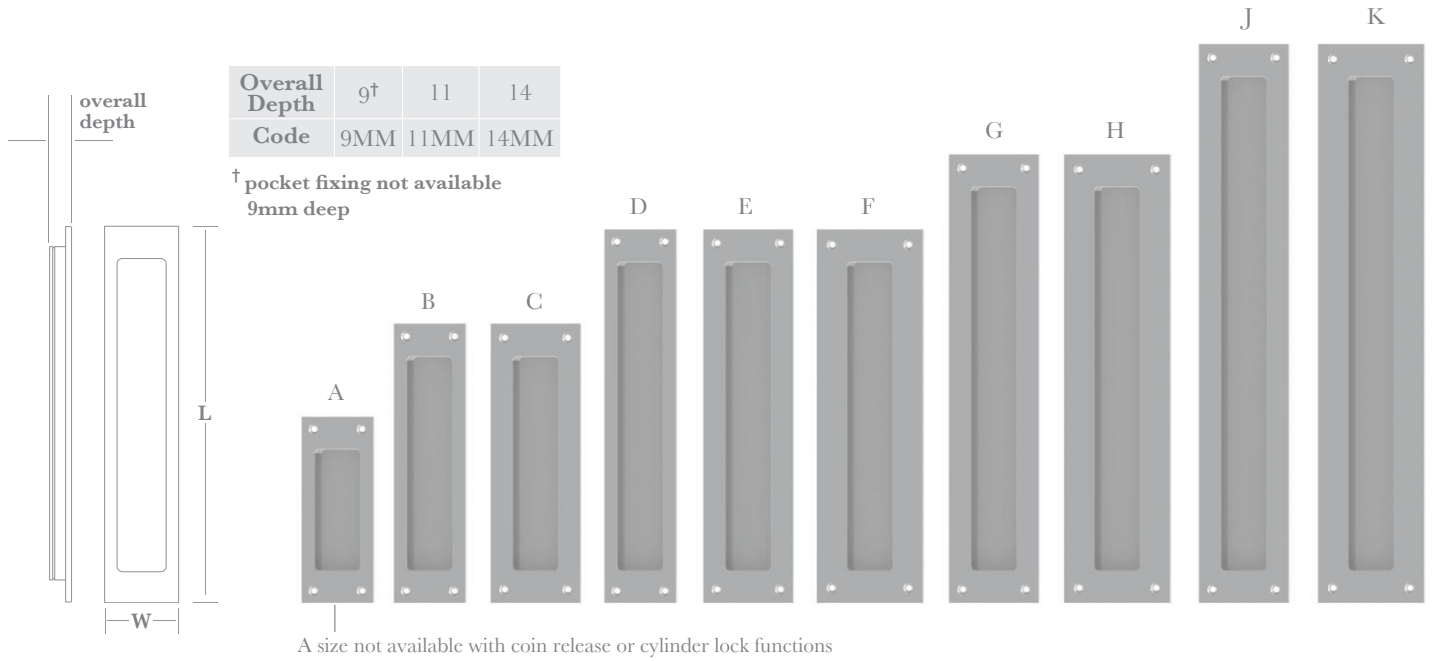
### How to Order

Refer to page DF4:020 for size codes:

- 1) select PLATE DESIGN (e.g. 66--)
- 2) add 60 for PLAIN version (e.g. 6660)
- 3) add SIZE (e.g. 6660B)
- 4) choose DEPTH OPTION (e.g. 6660B/11MM).
- 5) choose FIXING METHOD (e.g. 6660B/11MM/PF)
- 6) add FINISH (e.g. 6660B/11MM/PF/PC).

**Finishes** - See our price list or website for finish availability.

# Flush Pulls - size options & dimensions



	A	B	C	D	E	F	G	H	J	K
Size (L x W)	127 x 51	190 x 51	190 x 64	254 x 51	254 x 64	254 x 76	305 x 64	305 x 76	380 x 64	380 x 76
Overall Aperture Size (*)	82 x 32	145 x 32	145 x 32	209 x 32	209 x 32	209 x 32	260 x 32	260 x 32	335 x 32	335 x 32
Mortise Size	94 x 38	157 x 40	157 x 40	221 x 40	221 x 40	221 x 40	272 x 44	272 x 44	347 x 44	347 x 44

(\*except Pulls with Cylinder Hole Sizes B & C)

## Mortise Depths & Face Plate Thicknesses

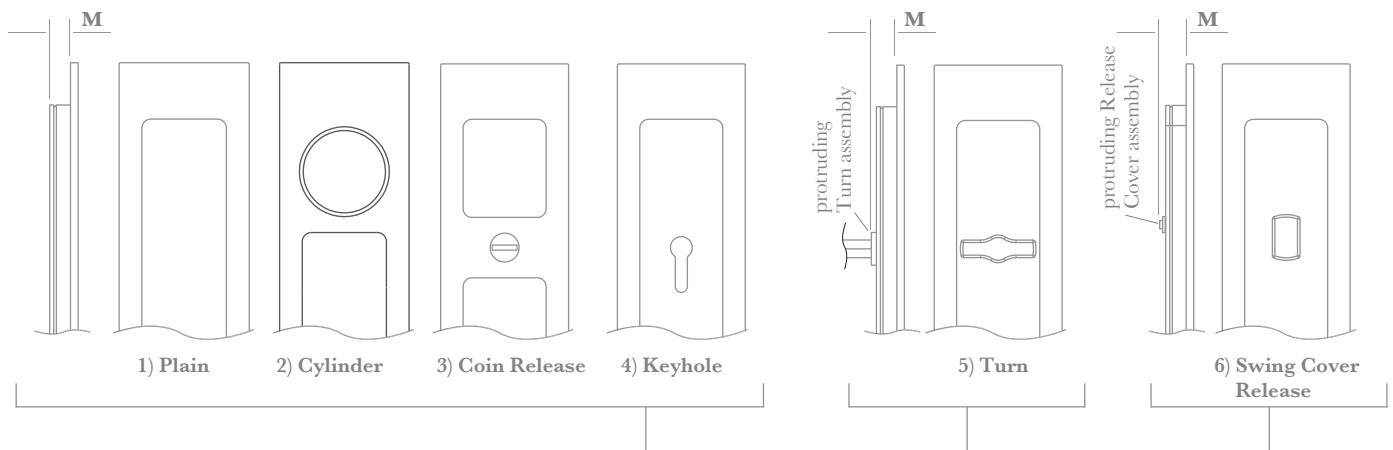


PLATE DESIGN	Face Plate Thickness T	M Mortise Depths								
		1) Plain 2) Cylinder 3) Coin Release 4) Keyhole			5) Turn NB. Mortise depths shown below include the extra 2mm required to accommodate the turn assembly.			6) Swing Cover Release NB. Mortise depths shown below include the extra 2.5mm required to accommodate the swing cover assembly.		
		9MM	11MM	14MM	9MM	11MM	14MM	9MM	11MM	14MM
32--, 67--, 68--, 87-- plate designs	4	5	7	10	7	9	12	7.5	9.5	12.5
47--, 49--, 59--, 60--, 66-- plate designs	3	6	8	11	8	10	13	8.5	10.5	13.5

# Flush Pulls - Keyhole & Privacy Functions

Shown set up to work with 7560 type lock (see below)



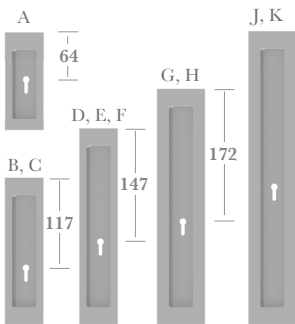
6610B/11MM/PF shown

6658B/11MM/PF shown

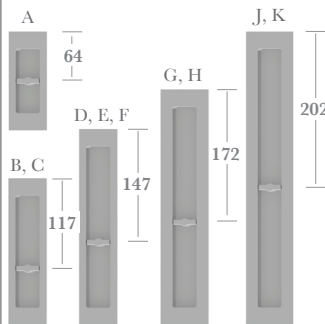
6655B/11MM/PF shown

6659B/11MM/PF shown

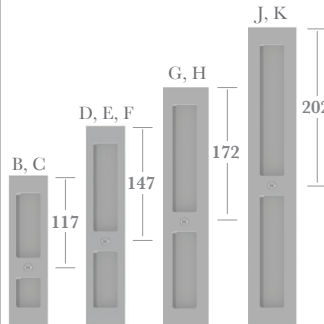
Keyhole centre positions



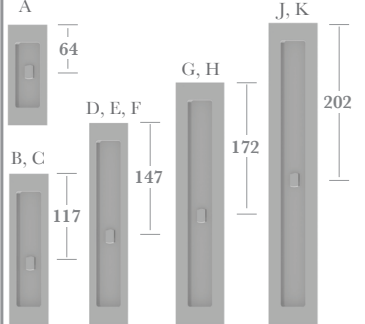
Thumb Turn centre positions



Coin Release centre positions



Swing Cover Release hole centre positions



▲ --10 Flush Pull with keyhole

▲ Flush Pull with Turn  
--08 (square spindle orientation)  
--58 (diamond spindle orientation)

▲ --55 Flush Pull with Coin Release

▲ --59 Flush Pull with Swing Cover Release

## Fixings

Supplied with finish matched no.6 x 19mm wood screws. Flush Pulls with Turns are supplied with factory fitted 5mm spindles suitable for doors up to 45mm thick if the face plate is surface mounted (or 51mm thick if flush fitted). Longer spindles are available upon request for doors up to 80mm thick.



## How to Order

Refer to pages DF4:010 & 020 for size & design options:

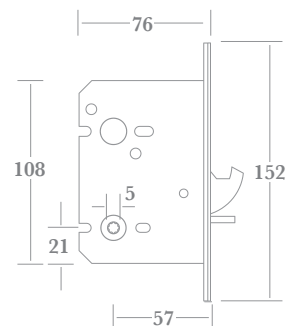
- 1) select PLATE DESIGN (e.g. 66--)
- 2) add FUNCTION (e.g. 6658)
- 3) add SIZE (e.g. 6658F).
- 4) choose DEPTH OPTION (e.g. 6658F/11MM)
- 5) choose FIXING METHOD (e.g. 6658F/11MM/FF)
- 6) add FINISH (e.g. 6658F/11MM/FF/PC)

**NB. Custom sizes, and Turn/Release positioning, are available upon request - surcharge may apply.**

**Finishes** - See our price list or website for finish availability.





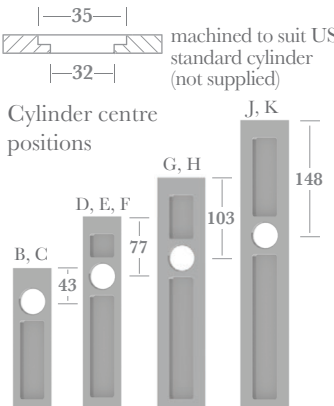


▲ 7560 Lock - See page MC3:040



# Flush Pulls - Privacy & Cylinder Lock Functions

Shown set up to work with 7565 type lock (see below)

 <p>6656B/11MM/PF shown</p>	 <p>6658B shown/11MM/PF shown</p>	 <p>6655B shown/11MM/PF shown</p>	 <p>6657B shown/11MM/PF shown</p>
 <p>35 32 machined to suit US standard cylinder (not supplied)</p> <p>Cylinder centre positions</p> <p>B, C 43 D, E, F 77 G, H 103 J, K 148</p> <p>▲ --56 Flush Pull with Cylinder Hole</p>	<p>Thumb Turn centre positions</p> <p>A 64 B, C 73 D, E, F 107 G, H 133 J, K 178</p> <p>▲ --58 Flush Pull with Turn (diamond spindle orientation)</p>	<p>Coin Release centre positions</p> <p>B, C 73 D, E, F 107 G, H 133 J, K 178</p> <p>▲ --55 Flush Pull with Coin Release</p>	<p>Swing Cover Release hole centre positions</p> <p>A 64 B, C 73 D, E, F 107 G, H 133 J, K 178</p> <p>▲ --57 Flush Pull with Swing Cover Release</p>

## Fixings

Supplied with finish matched no.6 x 19mm wood screws. Flush Pulls with Turns are supplied with factory fitted 5mm spindles suitable for doors up to 45mm thick if the face plate is surface mounted (or 51mm thick if flush fitted). Longer spindles are available upon request for doors up to 80mm thick.



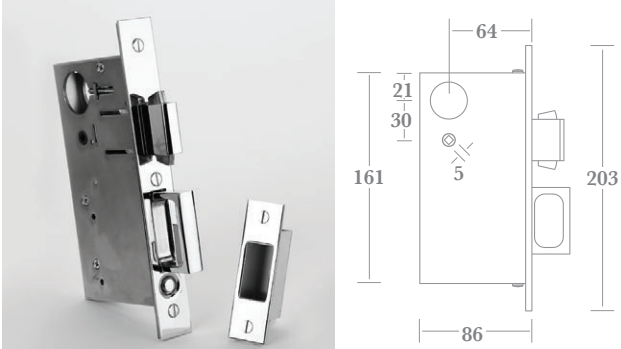
## How to Order

Refer to pages DF4:010 & 020 for size & design options:

- 1) select PLATE DESIGN (e.g. 66--)
- 2) add FUNCTION (e.g. 6658)
- 3) add SIZE (e.g. 6658F).
- 4) choose DEPTH OPTION (e.g. 6658F/11MM)
- 5) choose FIXING METHOD (e.g. 6658F/11MM/FF)
- 6) add FINISH (e.g. 6658F/11MM/FF/PC)

**NB. Custom sizes, and Turn/Release positioning, are available upon request - surcharge may apply.**

**Finishes** - See our price list or website for finish availability.



▲ 7565 Lock - See page MC3:050

64  
21  
30  
5  
161  
86  
203

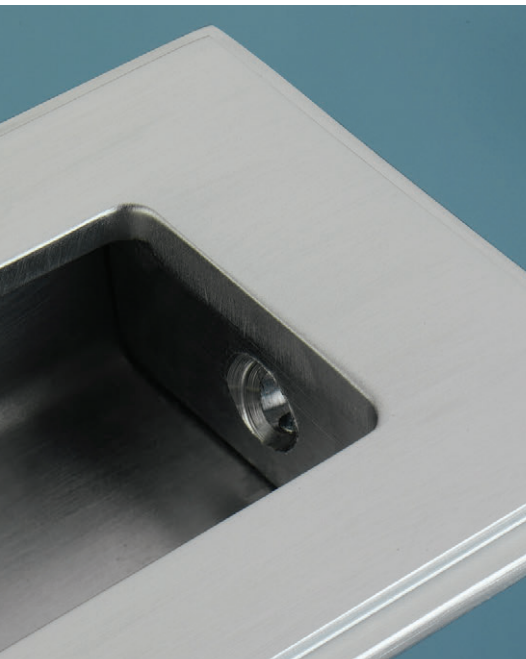


## Flush Pulls - Traditional Lipped Edge Designs

A selection of traditional lipped edge Flush Pulls suitable for both sliding & hinged doors.

The lipped edge feature renders them suitable for use as Drawer Pulls.

The 2713, 2714 & 9538 designs are supplied with pocket fixing at the top and bottom of the aperture, as shown below.



▲ 2713



▲ 2714



▲ 9538



▲ 1155



▲ 1157



▲ 1159



▲ 3944

### Fixings

Face fixed Pulls supplied with finish matched no. 6 x 25mm wood screws.

Pocket fixed Pulls supplied with finish matched no. 6 x 19mm wood screws.

### How to Order

1) select PULL (e.g. 1157)

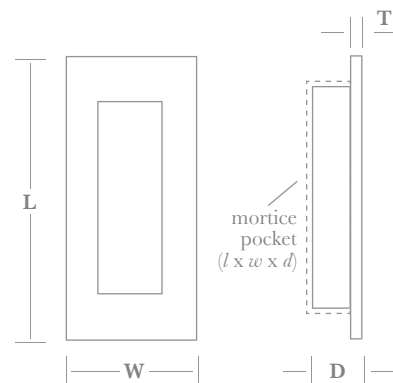
2) add FINISH (e.g. 1157PB)

1155, 2713, 2714 & 9538 - add SIZE (e.g. 1155PB/B).

**Finishes** - See our price list or website for finish availability.

FLUSH FIT  
INSTALLATION

As these Pulls are hand finished the outer face edge dimensions may vary and are not suitable for pre-morticed installations



	1155, 2713 2714, 9538		1157	1159	3944
	A	B			
L (length)	90	103	89	114	100
W (width)	41	51	41	64	50
D (depth)	16	19	16	21	14
T (thickness)	4	4	3	4	6
mortice size (l x w x d)	72 x 30 x 12	84 x 36 x 15	72 x 30 x 13	98 x 51 x 17	72 x 30 x 8

# Flush Ring Handles & Coin Releases

A selection of Flush Ring Handles and Coin Releases in three sizes, along with a fully flush version suitable for Squash Court doors, floor fixing for trapdoors, or simply for improved aesthetics.

A smaller Coin Release is also available.

All Coins Releases are supplied with a 5mm - 8mm conversion spindle.



▲ 1086



▲ 1084



▲ 1085



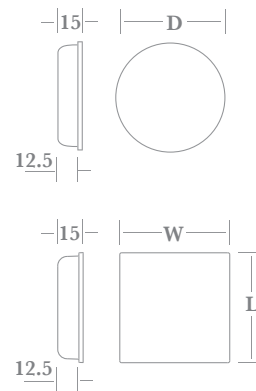
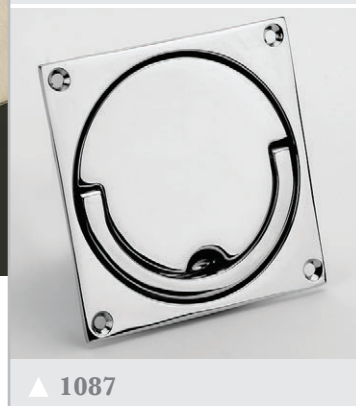
▲ 1083



▲ 1080



▲ 1082



1080, 1082 1084, 1085	A	B	C
D	Ø 63	Ø 73	Ø 88

1083 & 1086	A	B	C
L x W	65 x 65	75 x 75	90 x 90

1087	
L x W	90 x 90

## Fixings

1084-7 supplied with finished matched no.6 x 19mm wood screws and 8mm x 50mm spindles.

1080-3 supplied with no.6 x 19mm wood screws and a 5mm square spindle and a 5mm to 8mm conversion spindle.

1090 supplied with finish matched no.4 x 13mm wood screws, a 5mm square spindle and a 5mm to 8mm conversion spindle.

## How to Order

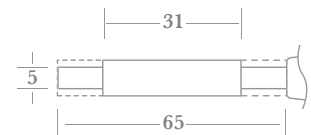
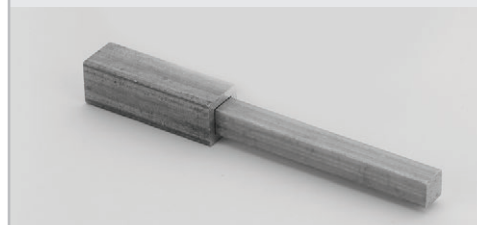
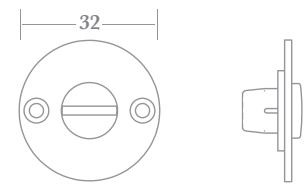
- 1) select HANDLE/RELEASE (e.g. **1085**)
- 2) add FINISH (e.g. **1085PB**)
- 3) add SIZE, except 1087 & 1090 (e.g. **1085PB/A**).

For FIXED DEAD/DUMMY add FD to code (e.g. **1086PB/A/FD**).

**Finishes** - See our price list or website for finish availability.



▲ 1090 Coin Release



maximum door thickness  
(longer spindles available upon request)

▲ Conversion Spindle (supplied with 1080, 1082, 1083 & 1090)

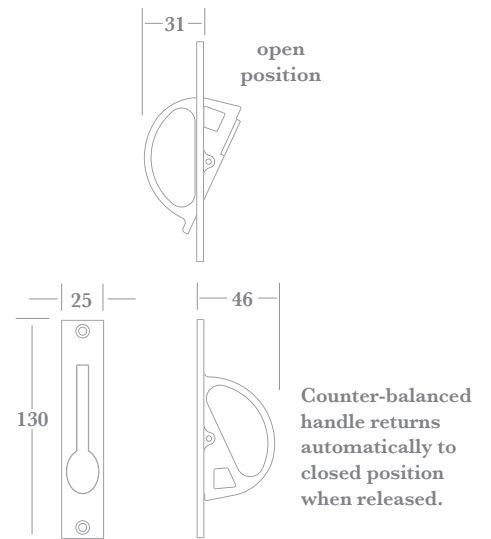
# Door Edge Pulls

Three different designs of Door Edge Pulls. The 4377 & 4378 are both robust, heavy duty designs suitable for all door sizes & weights, whilst the 4380 is best suited for light/hollow core doors only.

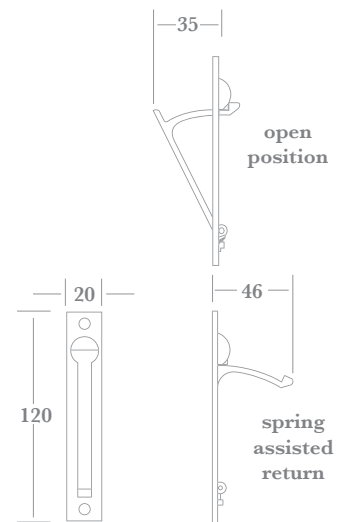
A particular feature of the 4378 is the finish matched Pull, Face Plate, Release Button, and screws.



▲ 4377



▲ 4380 (suitable for light/hollow core doors only)



## Fixings

4377 supplied with finish matched no.8 x 25mm wood screws.

4380 supplied with finish matched no.6 x 25mm wood screws.

4378 supplied with no.8 x 25mm wood screws and finish matched face plate machine screws.

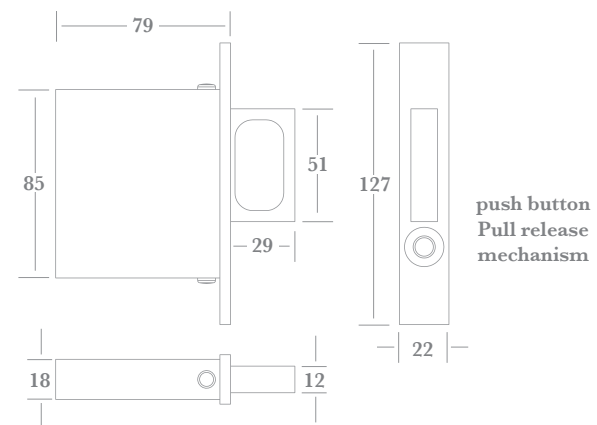
## How to Order

- 1) select PULL (e.g. 4377)
- 2) add FINISH (e.g. 4377PC)

**Finishes** - See our price list or website for finish availability.



▲ 4378



Light touch Pull retraction or automatic retraction when Pull contacts door frame.

