

Residential and Commercial
Architectural Ironmongery



CARLISLE BRASS

Established in 1986, we have spent 35 years refining products to ensure that we supply the best value for money, for both residential and commercial architectural ironmongery.

EUROSPEC

Eurospec products are designed for the commercial sector and are stringently tested to ensure they comply to the latest regulations, making them the ideal choice for the professional installer, architect or specifier.

SEROZZETTA

Ideally suited to residential projects, this range includes some of the best-selling door handles with the recent additions of on-trend finishes Matt Black and Satin Brass.

MANITAL

Our Italian premium quality door furniture is designed with luxury in mind. The award winning Manital range has established itself as one of the UK's most sought after brands.

EUROLITE

Since 1998 Eurolite has been a leading developer and distributor of high quality decorative wiring accessories.

Contents



Manital Range
4



Contemporary Collection
14



Serozzetta M Range
25



Serozzetta C Range
37



Serozzetta R Range
45



Traditional
52



Mortice Knobs
65



Pull Handles
and Push Plates
75



Residential Hinges
82



Art Deco
88



Ludlow Black Antique
91



External Door Furniture
108



Window Fittings
120



Accessories
131



Cabinet Hardware Range
142



Bathroom Range
176



Eurospec 316 Grade 4 Levers
188



Eurospec SWL Grade 304 Levers
195



Eurospec SSL Grade 304 Levers
203



Eurospec CSL 6mm Grade 304 Levers
206



Eurospec CSL Grade 304 Levers
209



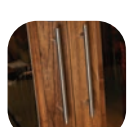
Eurospec 316 External Levers
214



Eurospec 201 Face Fix Levers
217



Eurospec 304 Concealed Fix Levers
221



Eurospec 316 Pull Handles
224



Eurospec 304 Pull Handles
229



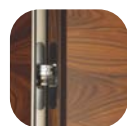
Eurospec Stainless Steel Accessories
236



Eurospec External Door Furniture
250



Eurospec Aluminium
255



Eurospec High Specification Hinges
265



Eurospec Door Controls
288



Eurospec Locks and Latches
306



Eurospec Cylinders
341



Eurospec Outdoor Security Range
369

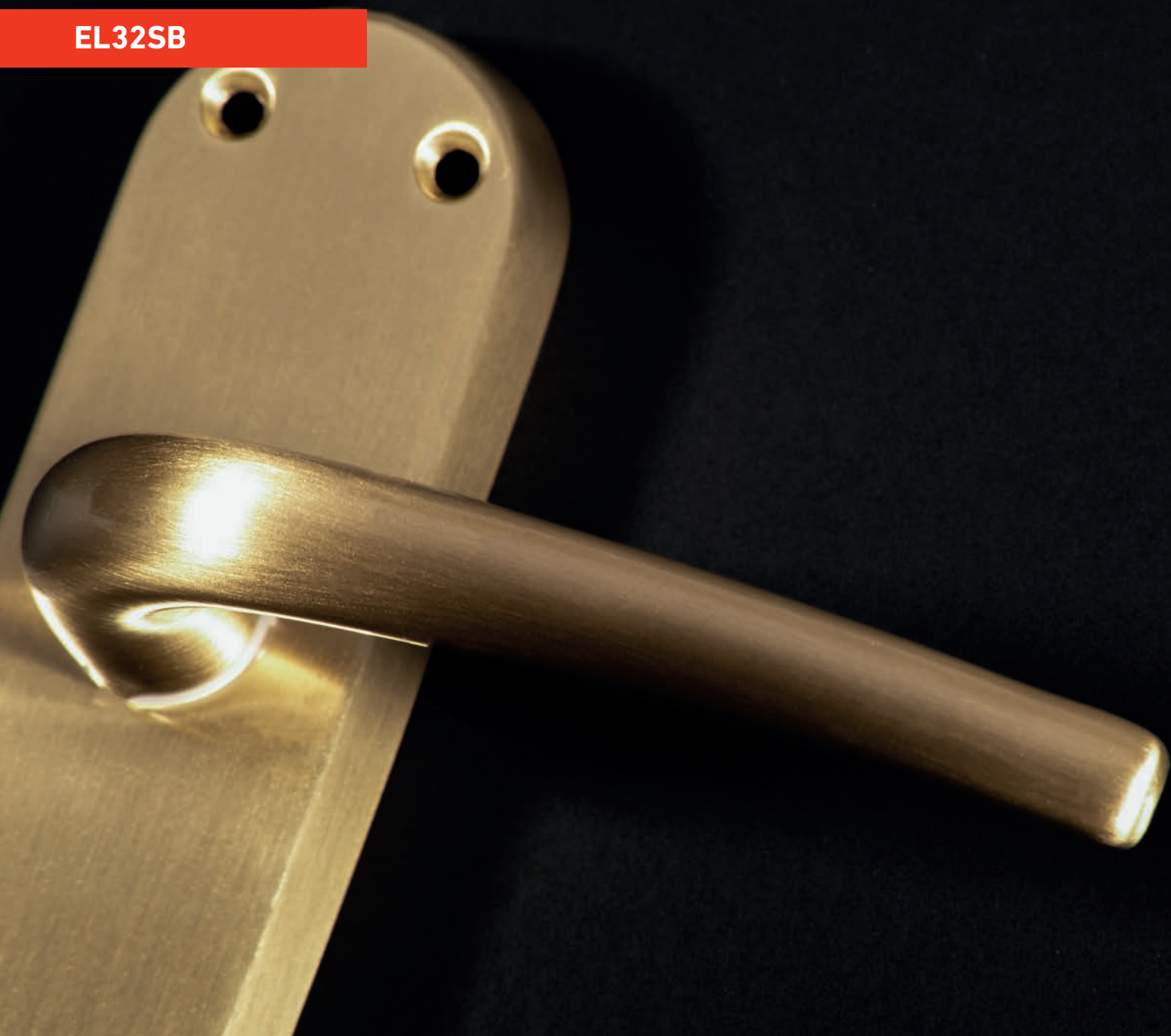


Eurospec Panic and Exit Hardware
377



Eurospec Intumescent Fire Protection
384

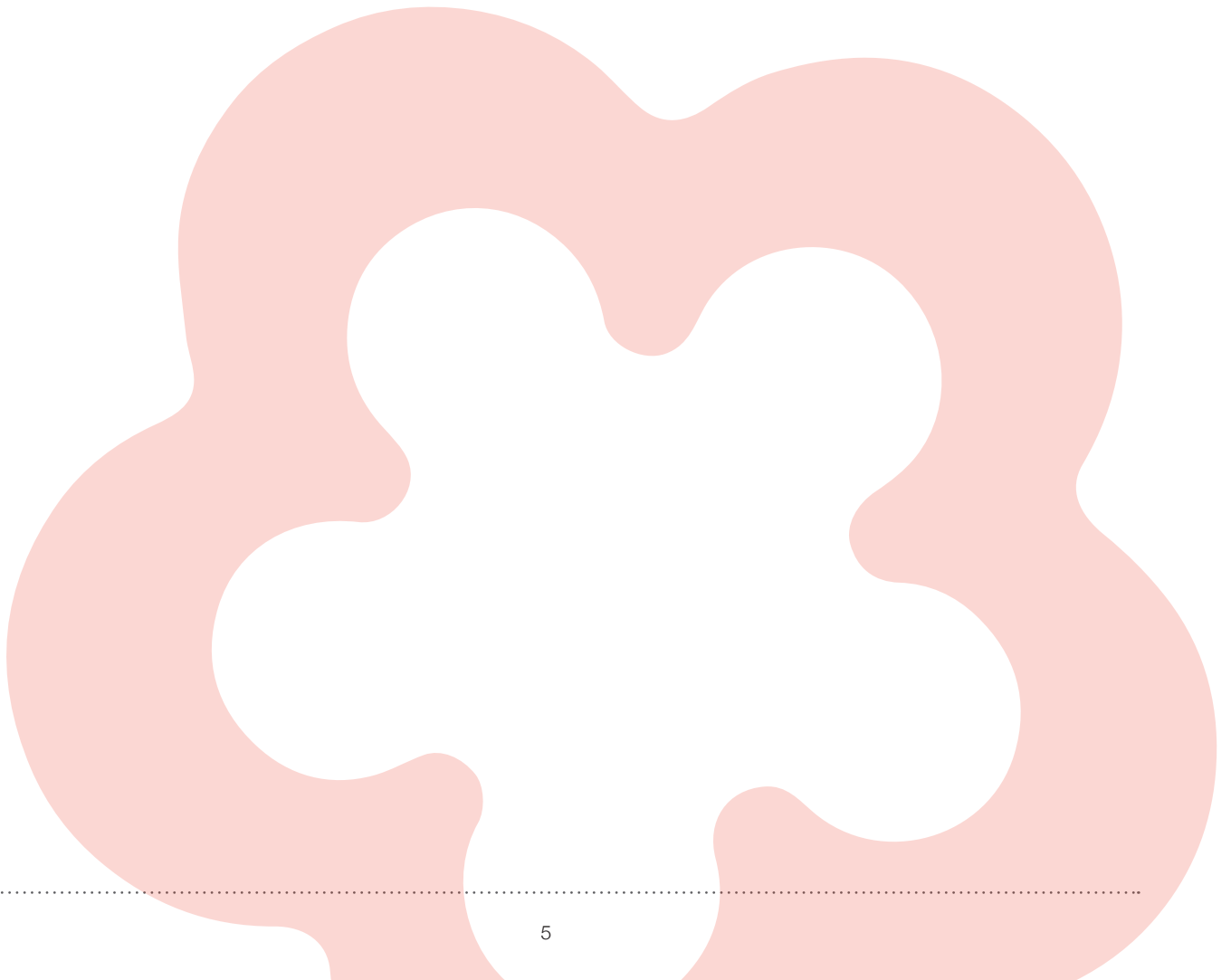
EL32SB

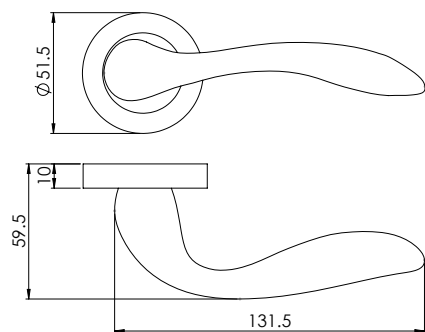
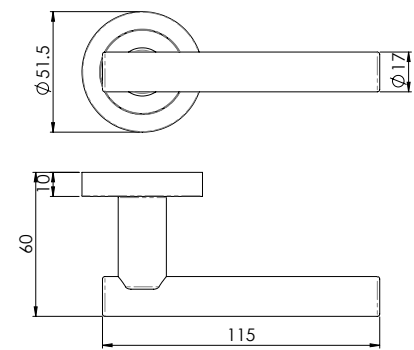
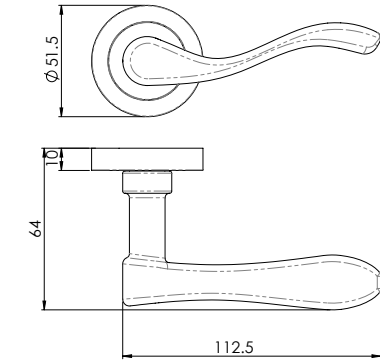
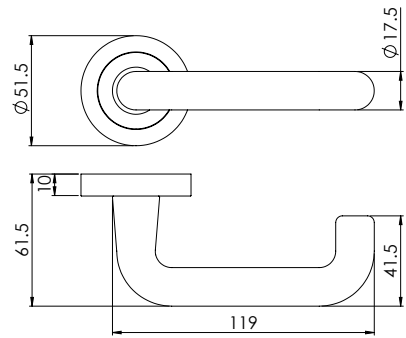
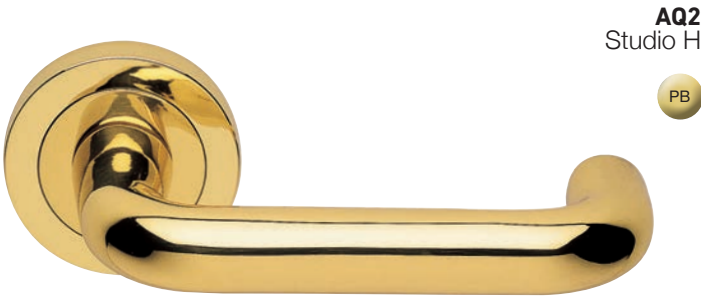
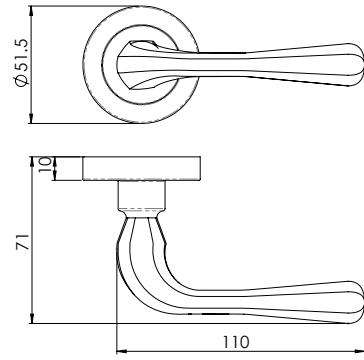


 **MADE IN
ITALY**

Manital

- Designed with luxury in mind ◀
- One of the UK's most sought after brands ◀
- The Manital range is 100% made in Italy ◀
- Premium quality product and finish ◀







AA0
Blank Escutcheon



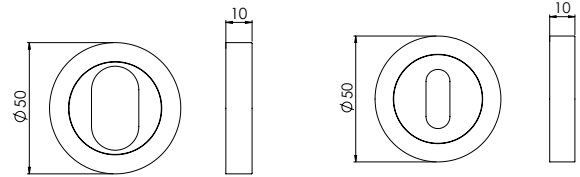
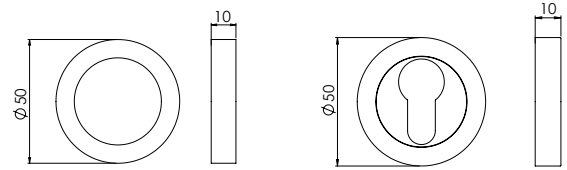
AA1
Euro Escutcheon



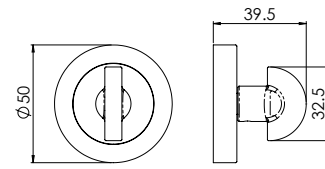
AA2
Oval Escutcheon



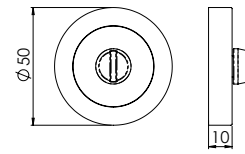
AA3
Lock Escutcheon



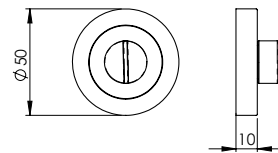
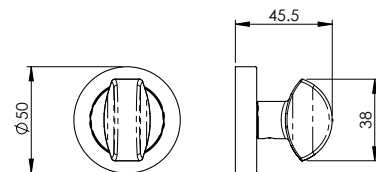
AA12
Thumbturn & Release



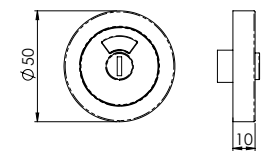
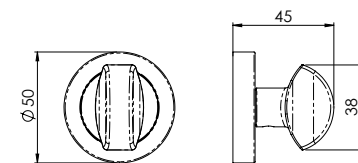
AA12L
Long Spindle Variation Available



AQ12
Thumbturn & Release



AQ11
Thumbturn & Release
With indicator





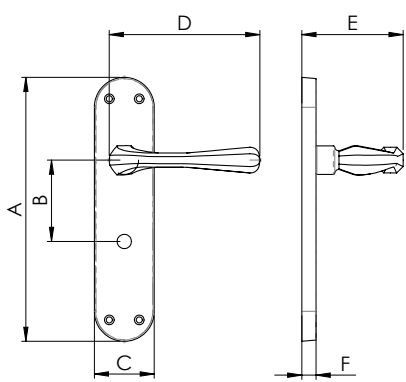
EL22
Astro on Latch Backplate



CP PB SC

EL21
Lock

EL21Y
Euro

EL23
Bathroom



	A	B	C	D	E	F
EL21	185	57	40	108	71	11
EL22	185	-	40	108	71	11
EL21Y	185	47.5	40	108	71	11
EL23	185	57	40	108	71	11

EL32
Lilla on Latch Backplate

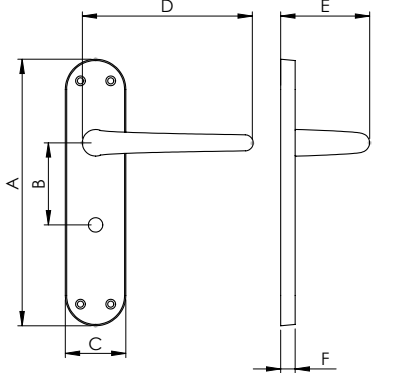
EL33
Bathroom



EL31
Lock

New New
CP MB SB SC

EL31Y
Euro

CP SC



	A	B	C	D	E	F
EL31	185	57	40	118	71	11
EL32	185	-	40	118	71	11
EL31Y	185	47.5	40	118	71	11
EL33	185	57	40	118	71	11



EL12
Lever on Latch Backplate

EL13
Bathroom

EL11
Lock



EL11Y
Euro



EL12CP
Polished Chrome



EL12MB
Matt Black



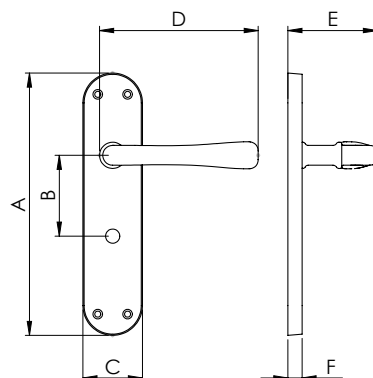
EL12
Polished Brass



EL12SB
Satin Brass



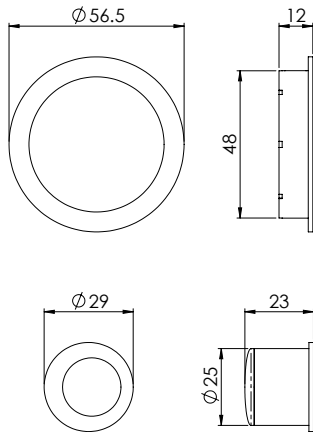
EL12SC
Satin Chrome



	A	B	C	D	E	F
EL11	185	57	40	119	69	11
EL12	185	-	40	119	69	11
EL11Y	185	47,5	40	119	69	11
EL13	185	57	40	119	69	11

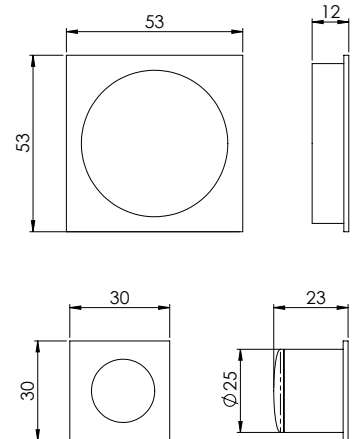
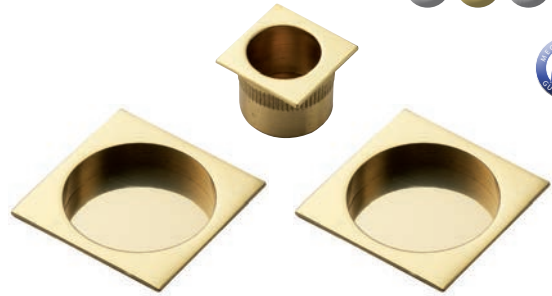
ART54A
Sliding Door Rose
With Flush Pull

- CP
- PB
- SC
- SN



ART54AQ
Square Sliding Door Rose
With Flush Pull

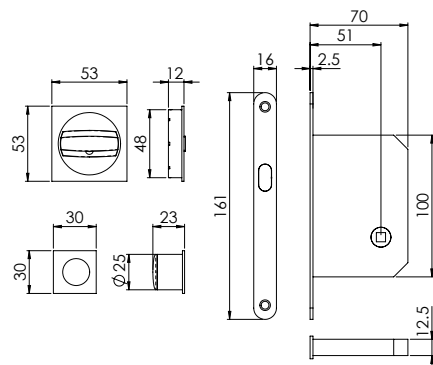
- CP
- PB
- SC
- SN



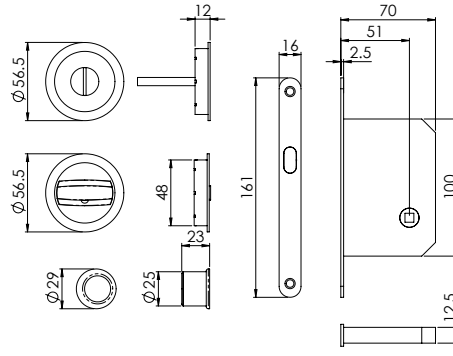
For flat plate switches and sockets in black and white finishes see www.eurolite.co.uk

ART55BQ
Square Sliding Door set
c/w WC Turn, Flush Pull
and Lock

- CP
- PB
- SC
- SN



ART55B
Sliding Door Set
c/w WC Turn, Flush Pull
and Lock



ART55BMB
Matt Black



ART55BCP
Polished Chrome



ART55B
Polished Brass



ART55BSB
Satin Brass

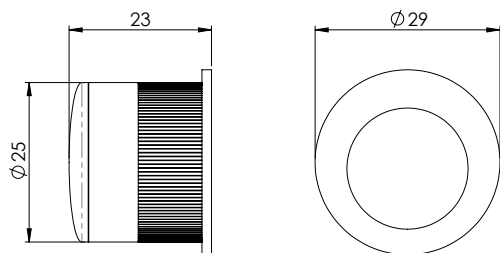


ART55BSC
Satin Chrome

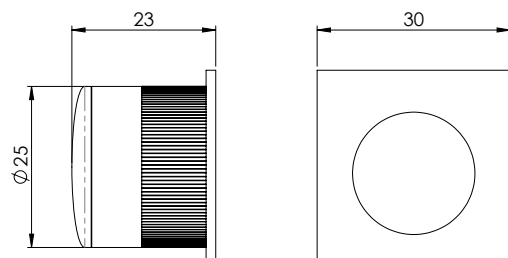
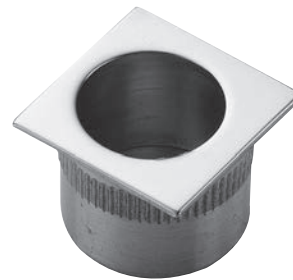


ART55BSN
Satin Nickel

ART56
Small Flush Pull



ART56Q
Small Square Flush Pull



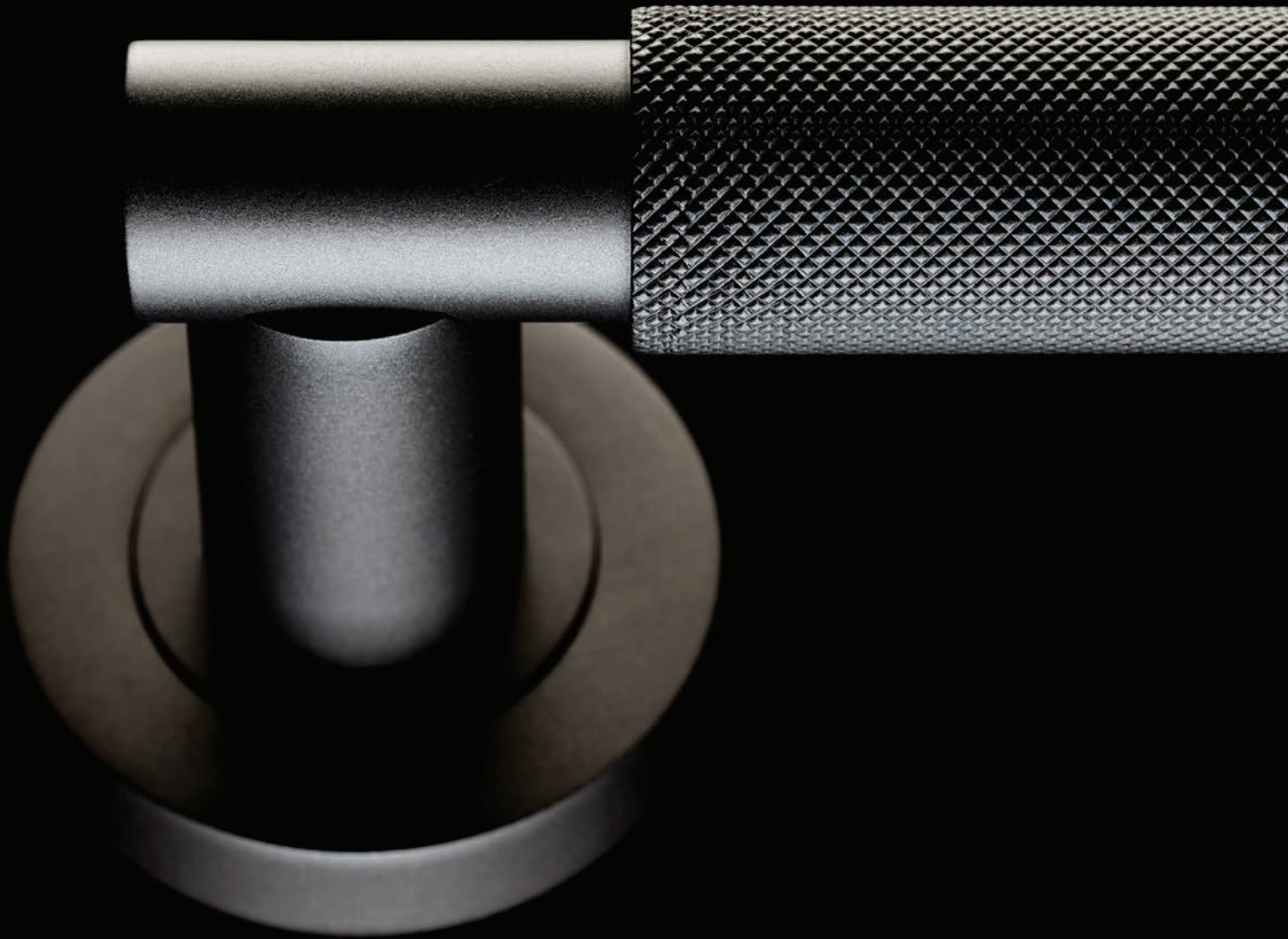




Please see our Manital Speciale range catalogue for extended range.



EUL050MB



Contemporary Collection

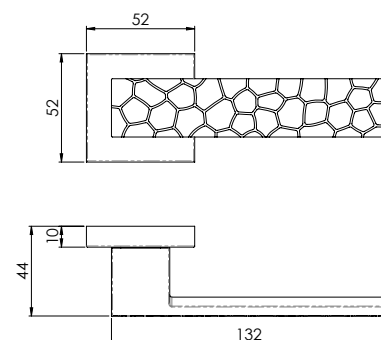
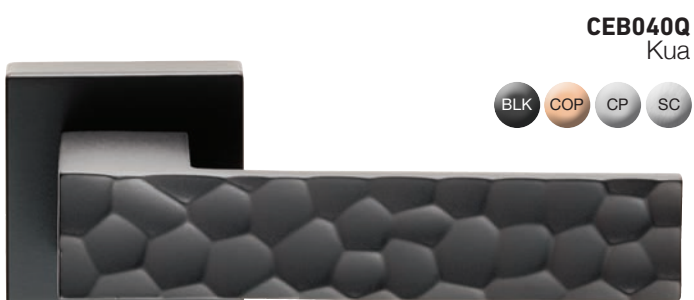
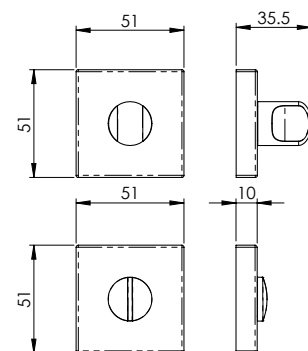
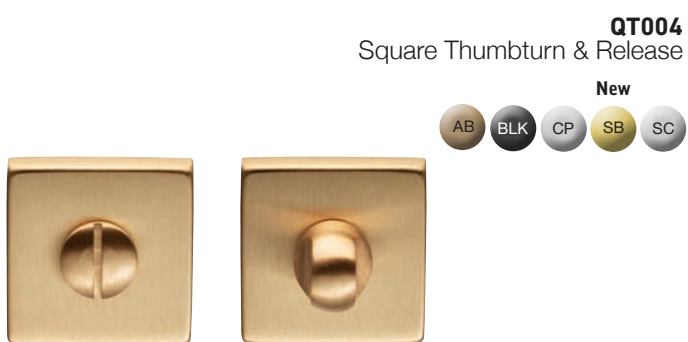
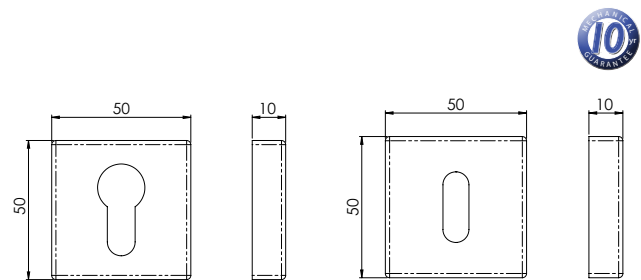
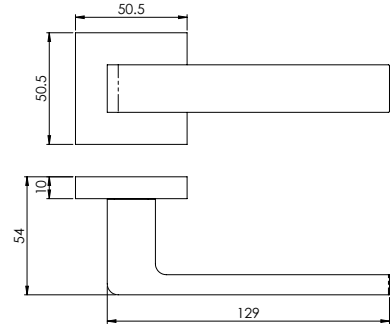
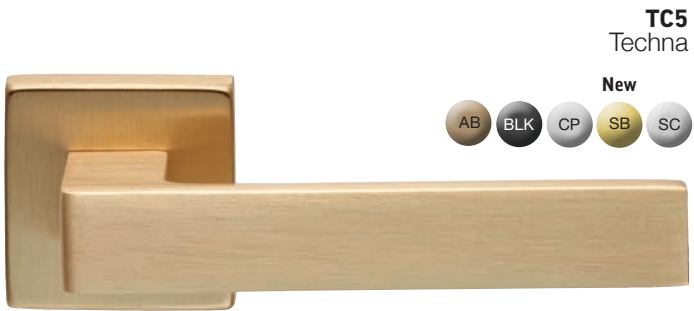
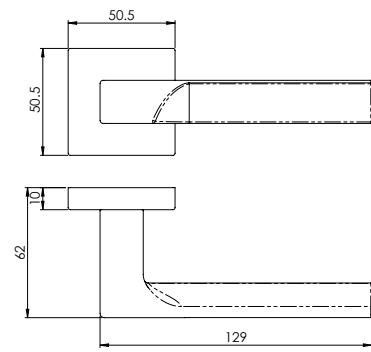
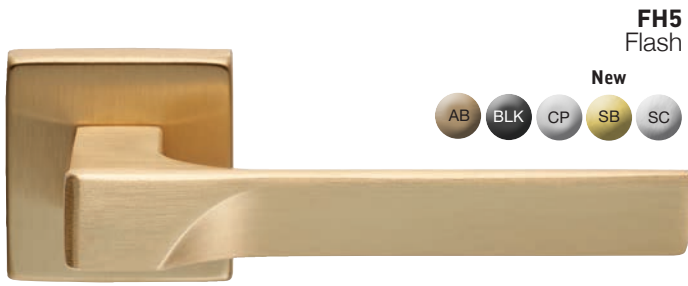
Contemporary Collection

European designed and manufactured ◀

Stunning designs to suit contemporary and traditional homes ◀

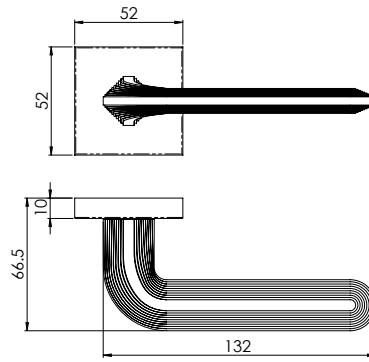
A full range of suited accessories ◀





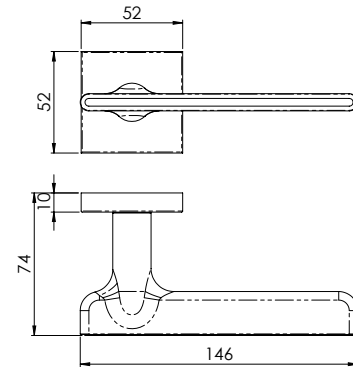
CEB050Q
Era

- BLK
- COP
- CP
- SC



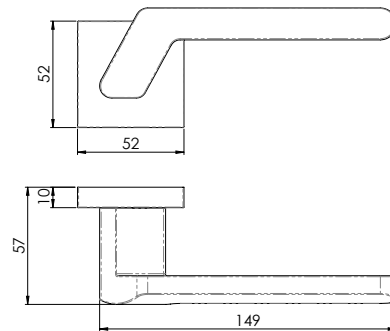
CEB060Q
Zara

- BLK/WHI
- COP/WHI
- CP/BLK
- SC/BLK



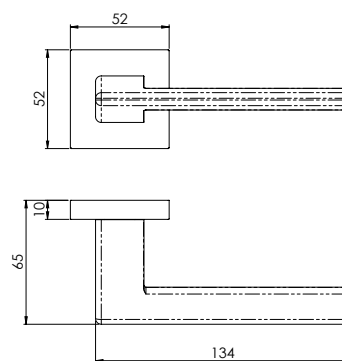
CEB010Q
Mono

- CP
- SC



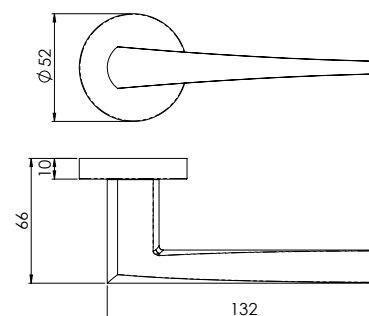
CEB020Q
Sea

- CP
- SC



CEB110
Sui

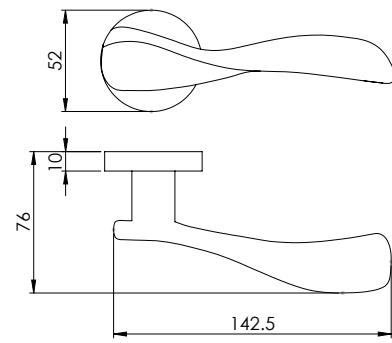
- SC





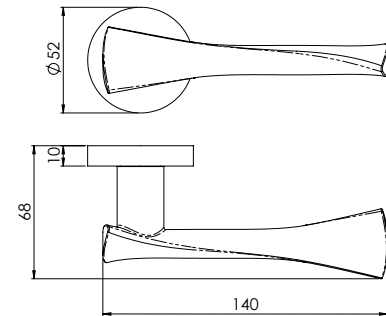
CEB120
Lavi

SC



CEB130
Toro

CP SC

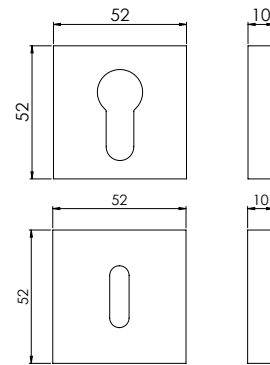


CEB001Q
Square Euro
Escutcheon



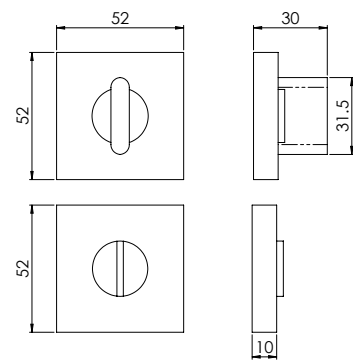
CEB003Q
Square Lock
Escutcheon

BLK COP CP SC



CEB004Q
Square Turn & Release
5mm Spindle

BLK COP CP SC

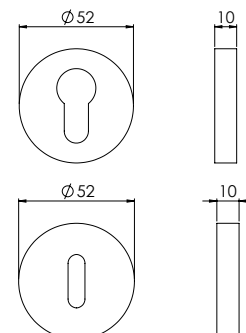


CEB001
Euro
Escutcheon



CEB003
Lock
Escutcheon

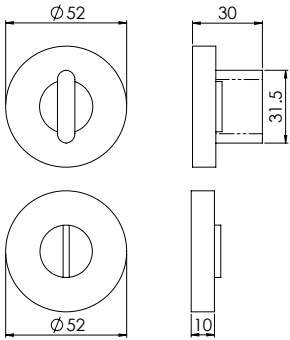
CP SC



CEB004
Thumbturn & Release

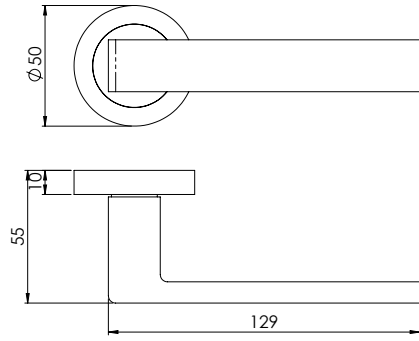
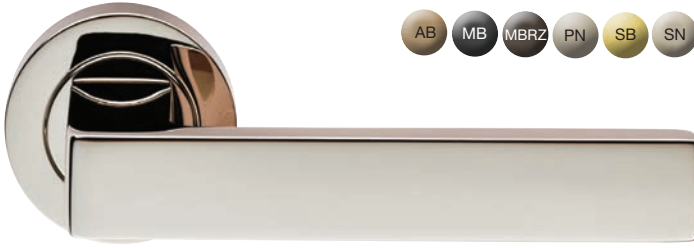


CP SC



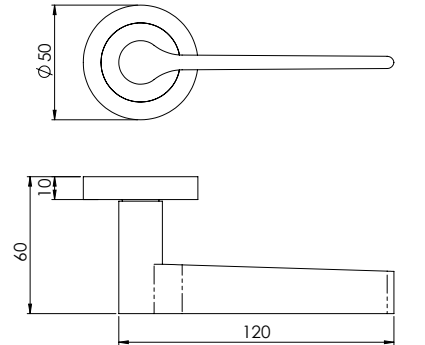
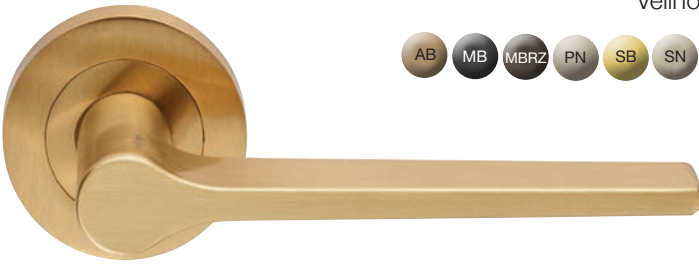
New

EUL010
Sasso



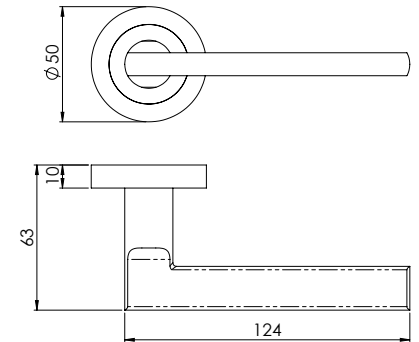
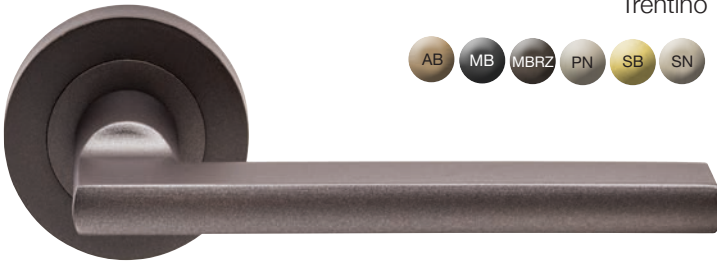
New

EUL020
Velino



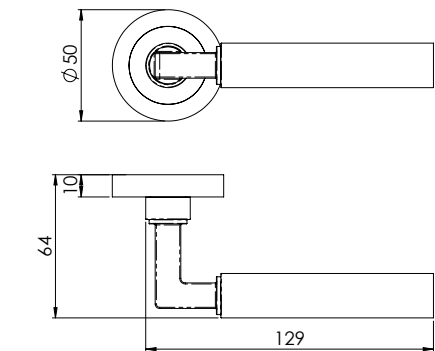
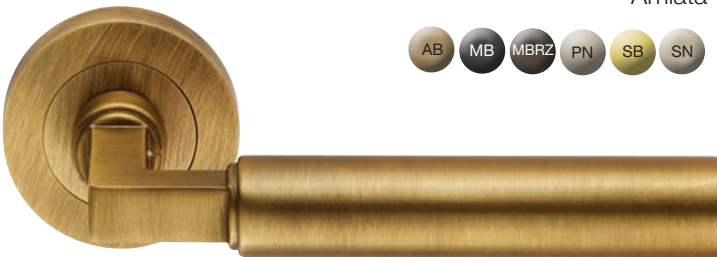
New

EUL030
Trentino



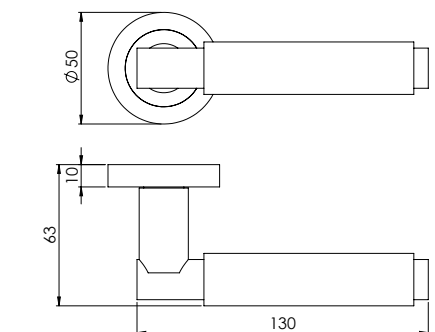
New

EUL040
Amiata



New

EUL050
Varese

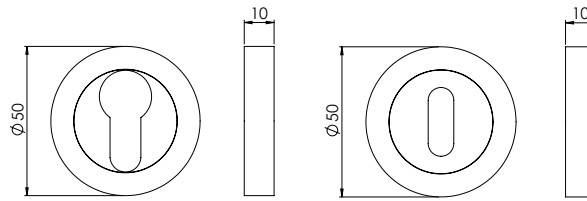


New



EUL001
Euro
Escutcheon

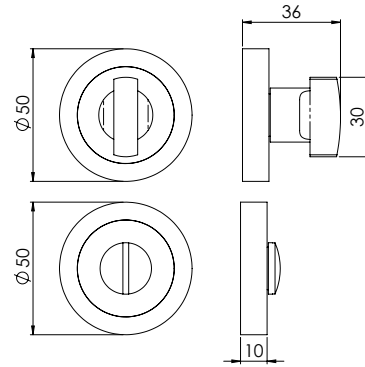
EUL002
Lock
Escutcheon



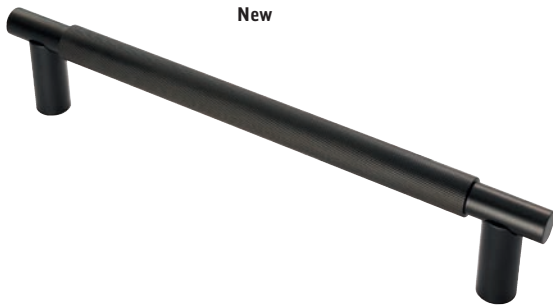
New



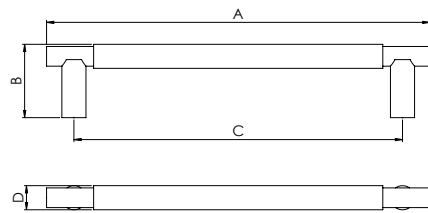
EUL004
Thumbturn & Release



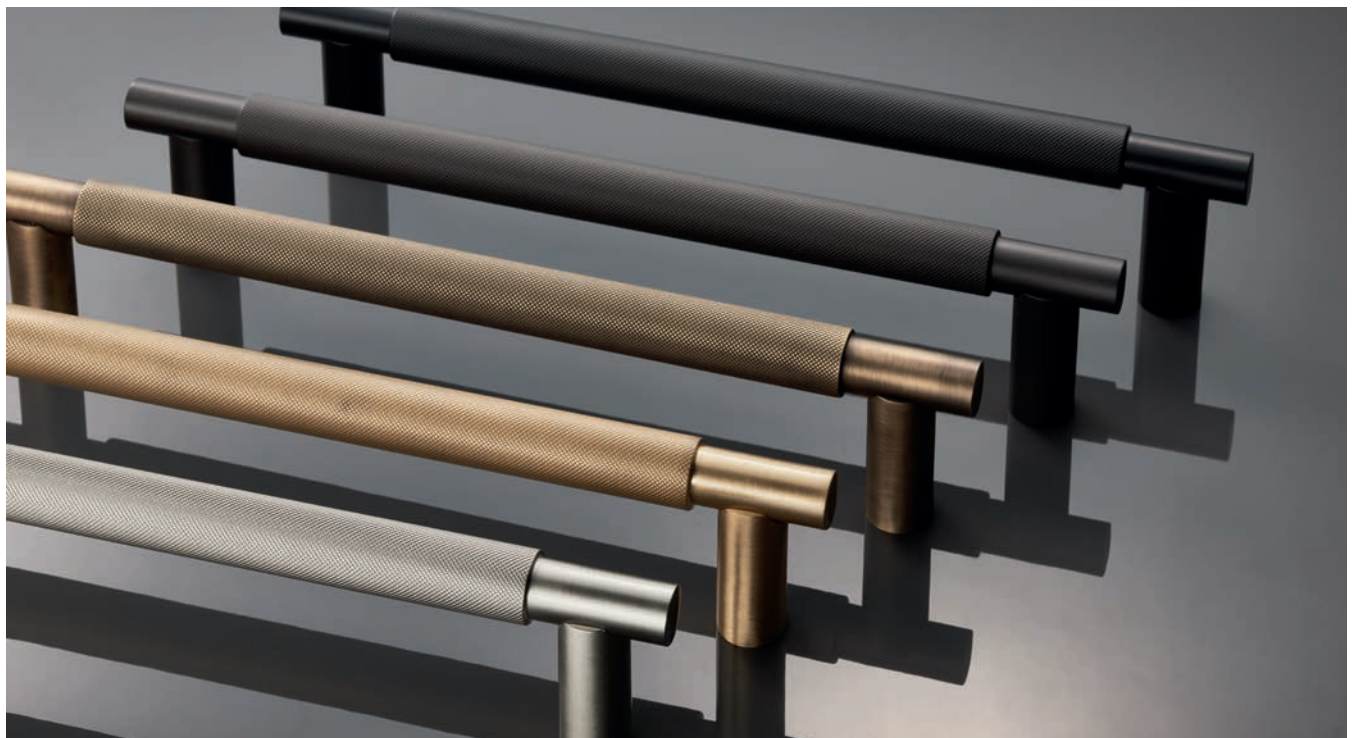
New



EUP050
Varese Pull handle



	A	B	C	D
EUP050/300	350	67	300	22
EUP050/450	500	67	450	22





New

EUL012 (S)
Sasso on Latch Backplate

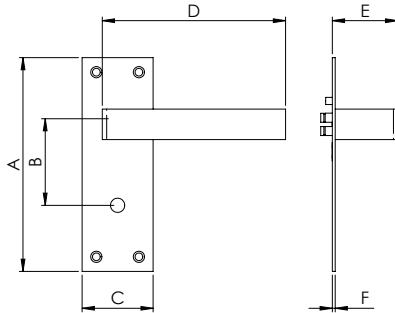
AB MB MBRZ PN SB SN

EUL011 (S)
Lock

EUL011Y (S)
Euro

EUL013 (S)
Bathroom





	A	B	C	D	E	F
EUL011	150	57	50	129	47	2
EUL011Y	150	47.5	50	129	47	2
EUL012	150	-	-	129	47	2
EUL013	150	57	50	129	47	2

New



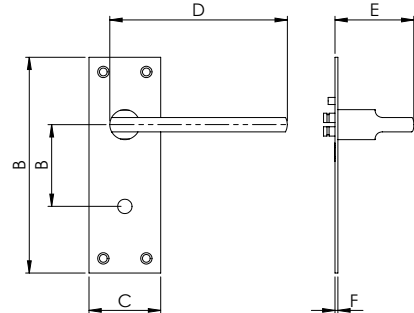
EUL032
Trentino on Latch Backplate

AB MB MBRZ PN SB SN

EUL031
Lock

EUL031Y (S)
Euro

EUL033
Bathroom

	A	B	C	D	E	F
EUL031	150	57	50	124	55	2
EUL031Y	150	47.5	50	124	55	2
EUL032	150	-	50	124	55	2
EUL033	150	57	50	124	55	2

New



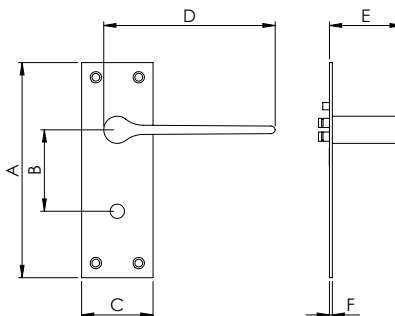
EUL022 (S)
Velino on Latch Backplate

AB MB MBRZ PN SB SN

EUL021 (S)
Lock

EUL021Y (S)
Euro

EUL023 (S)
Bathroom

	A	B	C	D	E	F
EUL021	150	57	50	120	52	2
EUL021Y	150	47.5	50	120	52	2
EUL022	150	-	50	120	52	2
EUL023	150	57	50	120	52	2

New


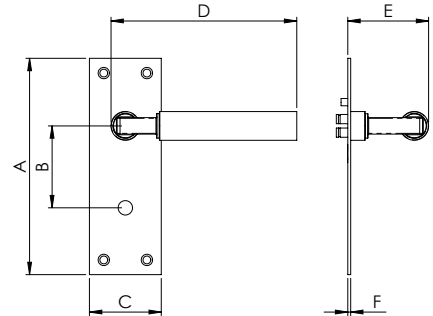
EUL042
Amiata on Latch Backplate

AB MB MBRZ PN SB SN

EUL041
Lock

EUL041Y (S)
Euro

EUL043
Bathroom

	A	B	C	D	E	F
EUL041	150	57	50	129	56	2
EUL041Y	150	47.5	50	129	56	2
EUL042	150	-	50	129	56	2
EUL043	150	57	50	129	56	2

New



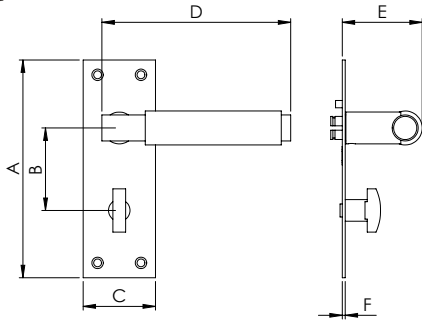
EUL052 
Varese Knurled on Latch Backplate



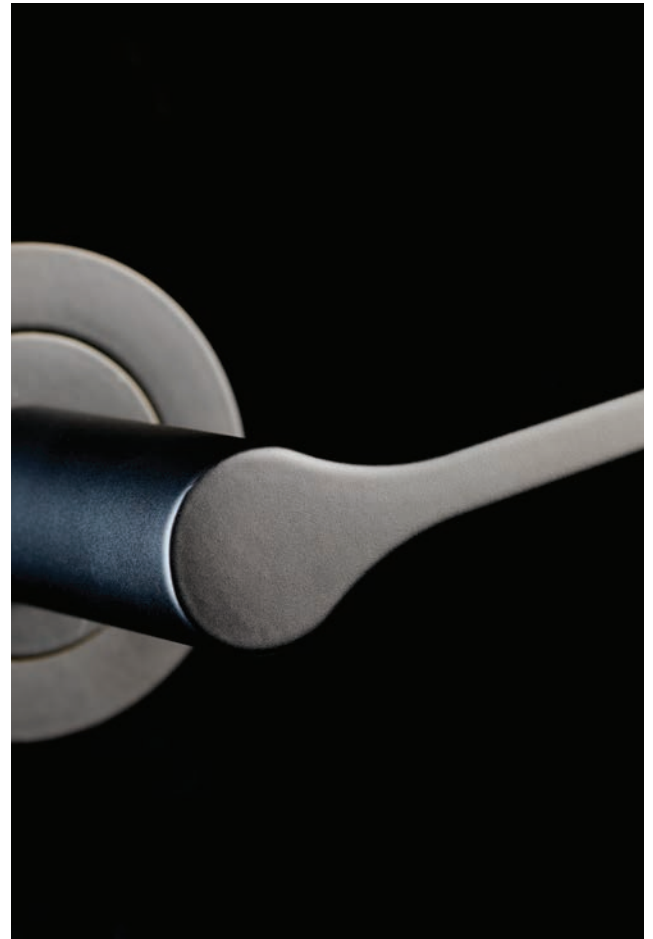
EUL051 
Lock

EUL051Y 
Euro

EUL053 
Bathroom



	A	B	C	D	E	F
EUL051	150	57	50	130	55	2
EUL051Y	150	47.5	50	130	55	2
EUL052	150	-	50	130	55	2
EUL053	150	57	50	130	55	2



Complement your Carlisle Brass handles with our matt black and antique brass switches and sockets.

FEATURES:

- Matching rockers as standard
- Clip in grid and modular available
- Conforms to British testing standards
- 25 year guarantee
- Guaranteed next day delivery as standard

Web: www.eurolite.co.uk
Tel: 01772 672020

SZM025CP



Serozzetta M Range

Serozzetta M Range

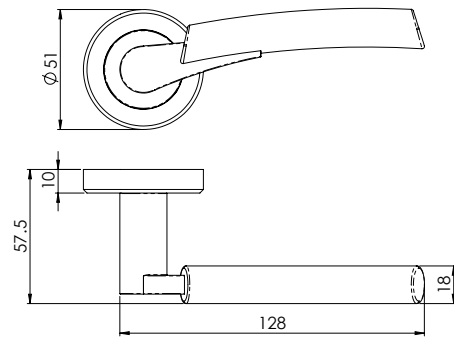
- > Includes best selling levers
- > Premium residential zinc
- > Screw on rose





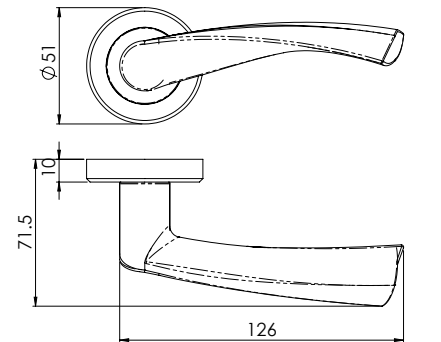
SZM014
Valiant

 CPSN



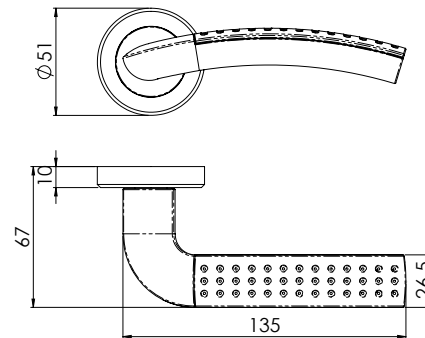
SZM025
Breeze

 CP



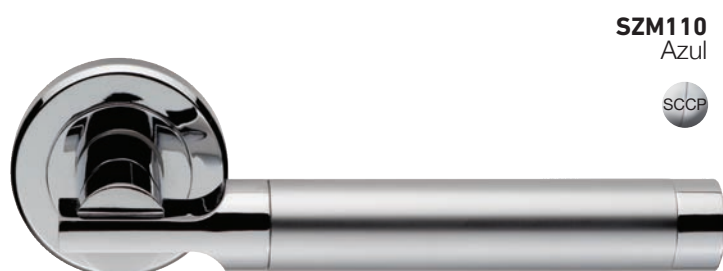
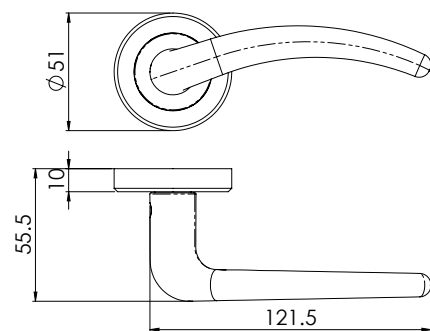
SZM026
Vogue

 CPSN



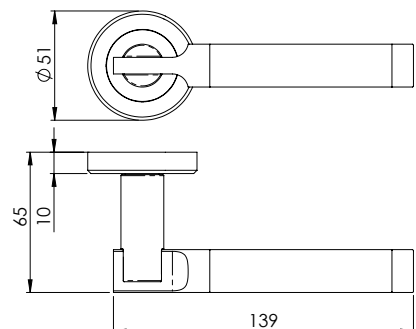
SZM100
Luna

 CP  SC



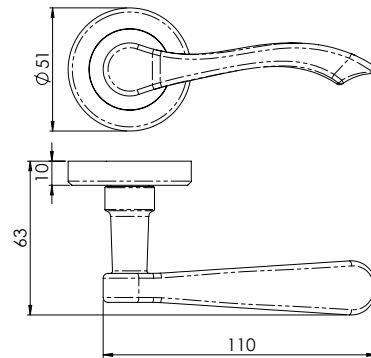
SZM110
Azul

 SCCP

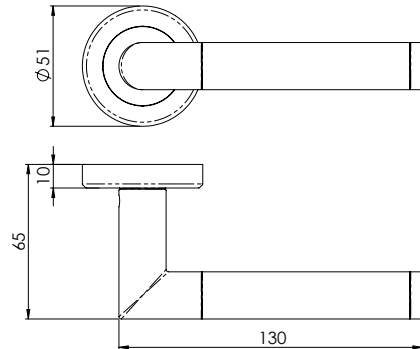




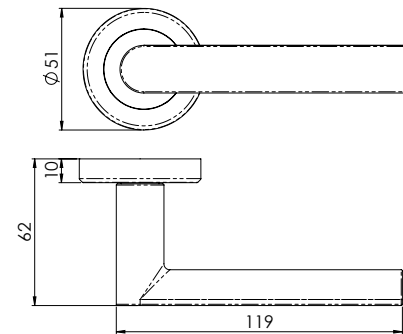
SZM130
Style



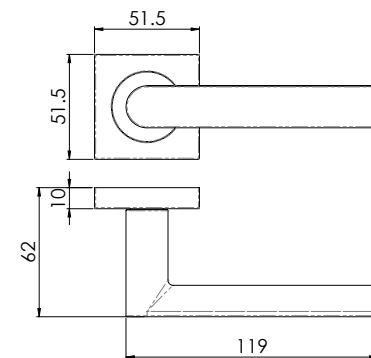
SZM160
Trend



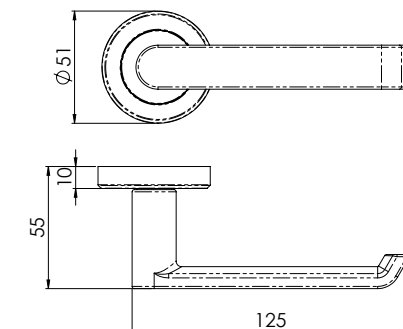
SZM210
Edge



SZM210SQ
Edge Square Rose



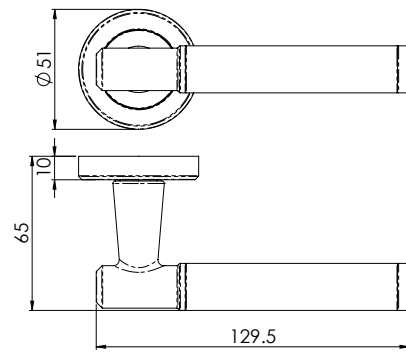
SZM220
Concept





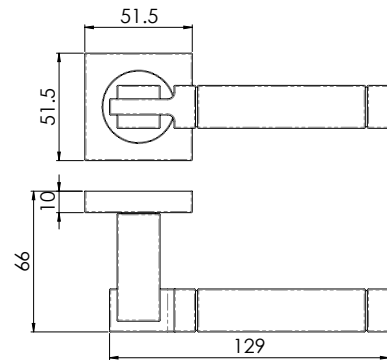
SZM250
Image

CP/SC



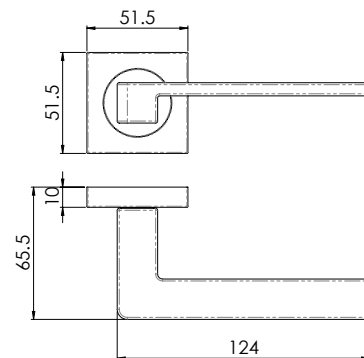
SZM320
Cube

BN CP SC



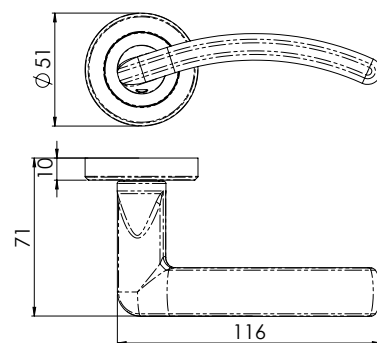
SZM370
Equi

New AB BN CP MB SC



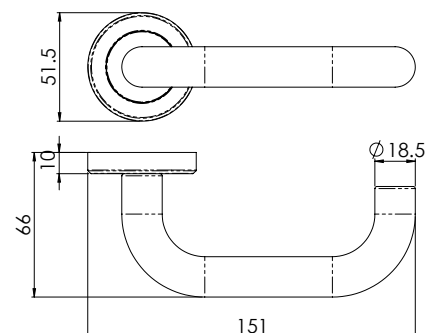
SZM380
Design

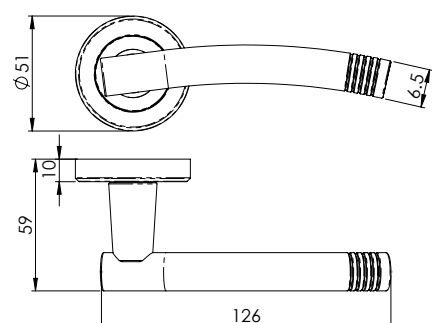
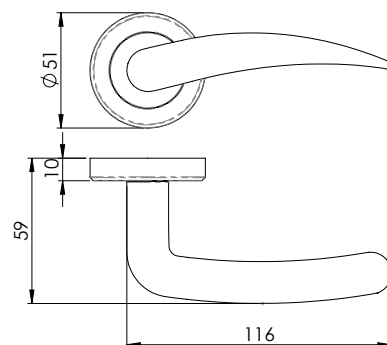
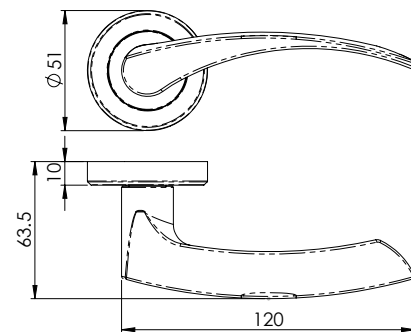
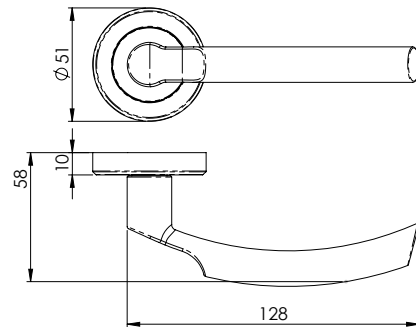
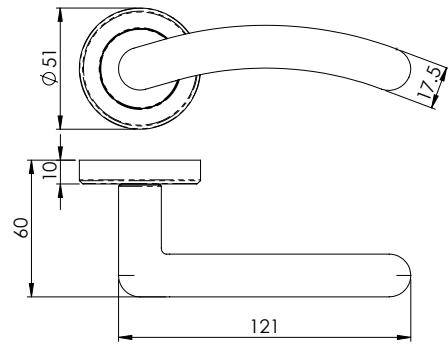
CP SC

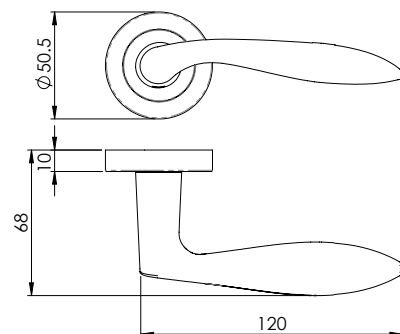
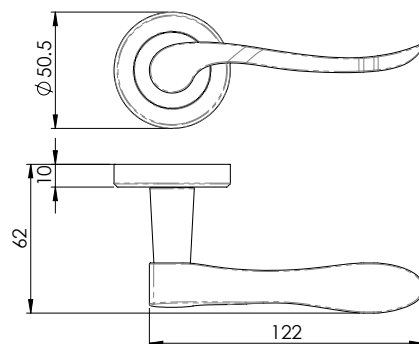
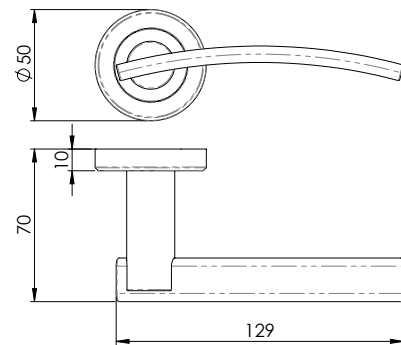
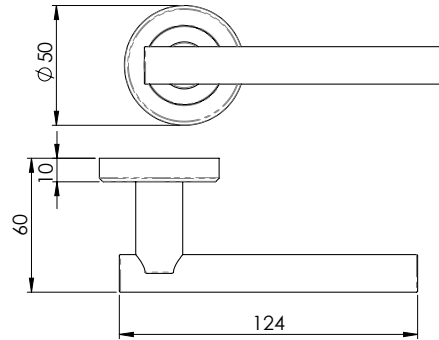
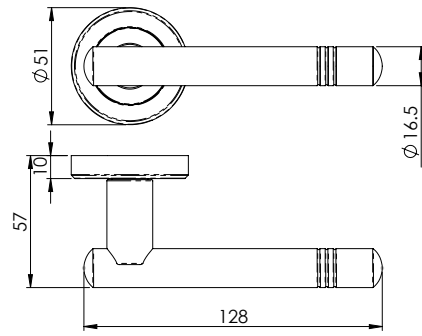


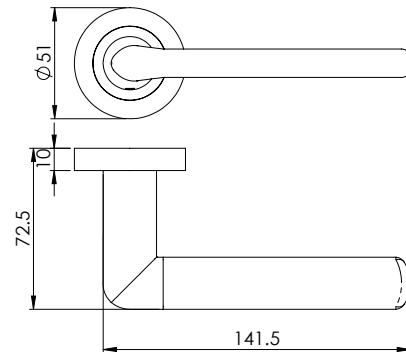
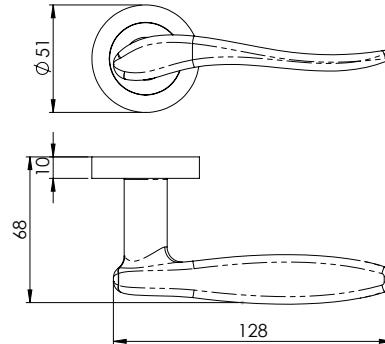
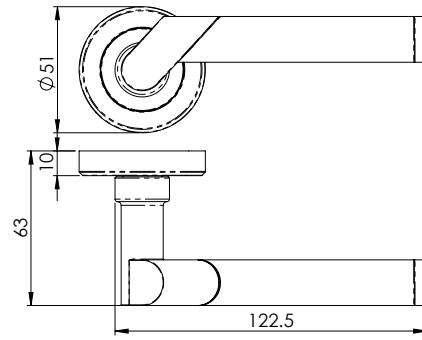
SZ500
Safety Lever

CP PVD SC









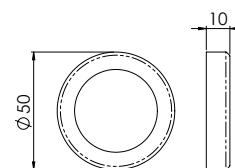
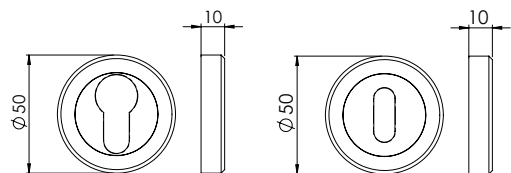
SZM001
Euro Escutcheon

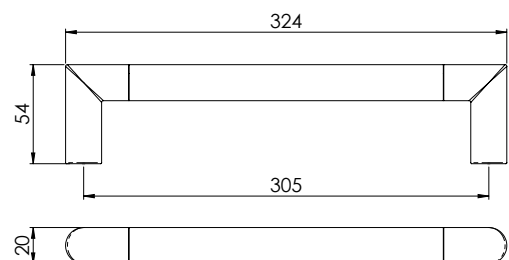
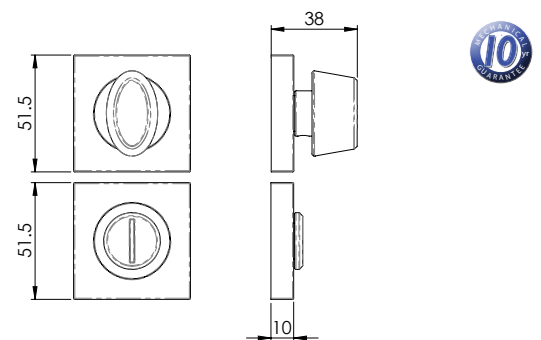
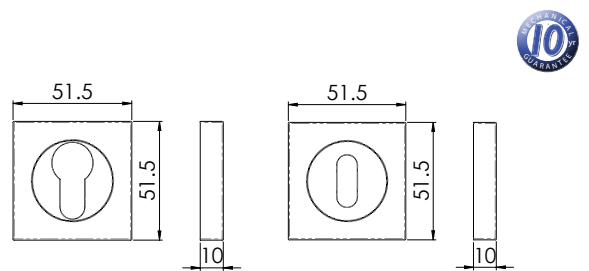
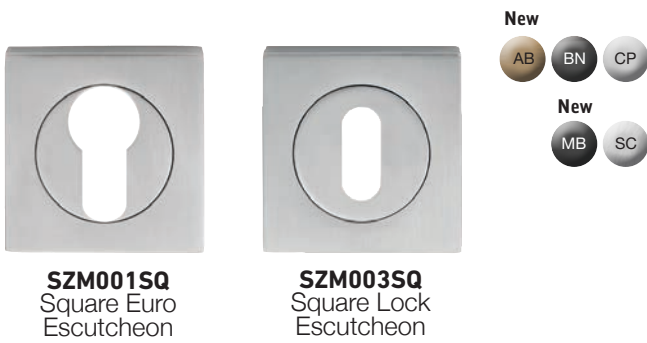
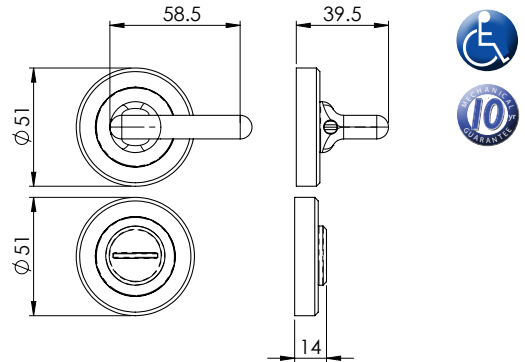
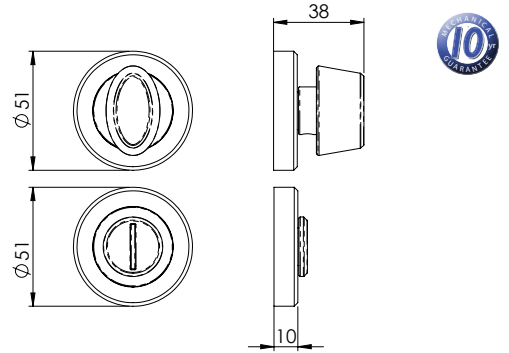


SZM003
Lock Escutcheon



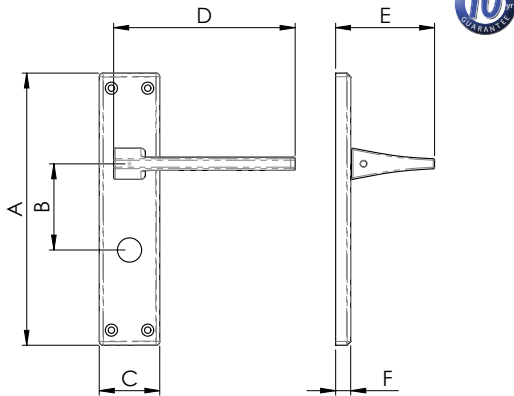
SZM000
Blank Escutcheon



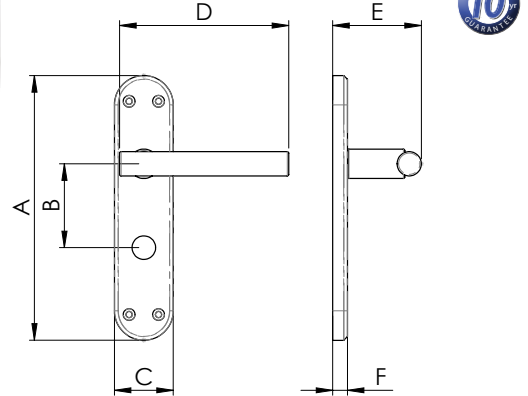


SZM242CP

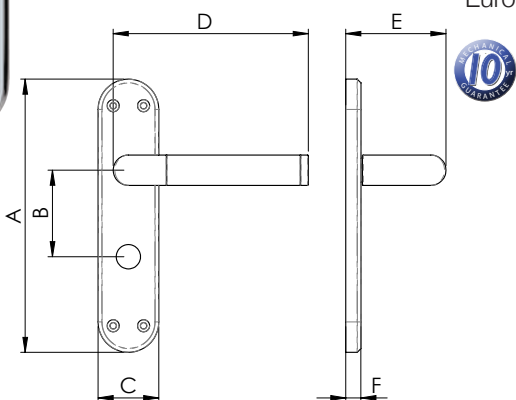




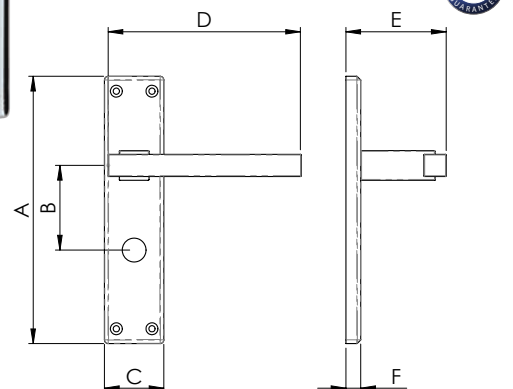
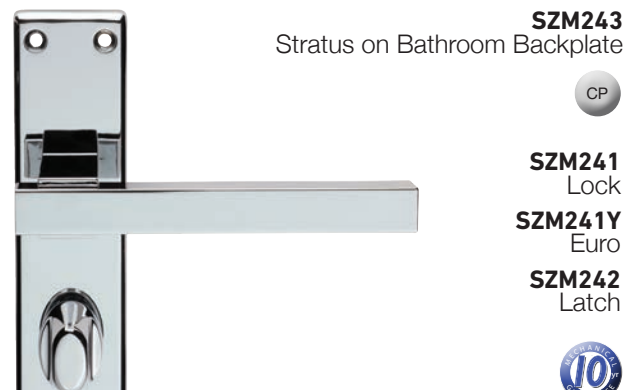
	A	B	C	D	E	F
SZM034	180	57	40	121	65.5	10
SZM034Y	180	47.5	40	121	65.5	10
SZM035	180	-	40	121	65.5	10
SZM036	180	57	40	121	65.5	10



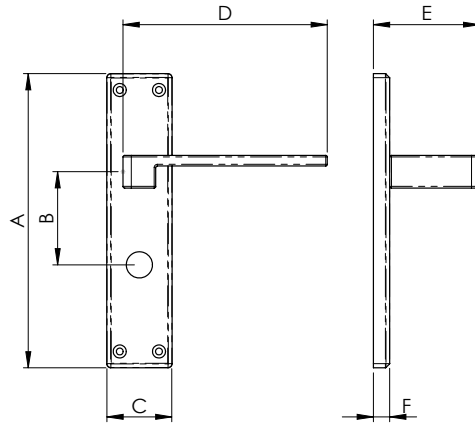
	A	B	C	D	E	F
SZM066Y	180	47.5	40	114	63	10
SZM067	180	-	40	114	63	10



	A	B	C	D	E	F
SZM044	180	57	40	128	63	10
SZM044Y	180	47.5	40	128	63	10
SZM045	180	-	40	128	63	10
SZM046	180	57	40	128	63	10



	A	B	C	D	E	F
SZM241	180	57	40	130	68	10
SZM241Y	180	47.5	40	130	68	10
SZM242	180	-	40	130	68	10
SZM243	180	57	40	130	68	10



	A	B	C	D	E	F
SZM371	180	57	40	130	68	10
SZM371Y	180	47.5	40	130	68	10
SZM372	180	-	40	130	68	10
SZM373	180	57	40	130	68	10

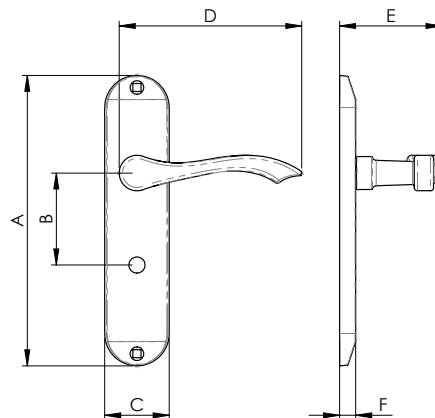
SZM371
Equi on Lock Profile Backplate



SZM371Y
Euro

SZM372
Latch

SZM373
Bathroom



	A	B	C	D	E	F
SZM131	108	180	165	40	61	10
SZM132	108	180	165	40	61	10
SZM133	108	180	165	40	61	10
SZM134	108	240	225	40	61	10
SZM134Y	108	240	225	40	61	10
SZM135	108	240	225	40	61	10
SZM136	108	240	225	40	61	10

SZM132
Lever on Latch Backplate

SZM131
Lock

SZM133
Bathroom



SZM134
Lock Long Plate

SZM134Y
Euro Long Plate

SZM135
Latch Long Plate

SZM136
Bathroom Long Plate



SZC010CP



Serozzetta C Range


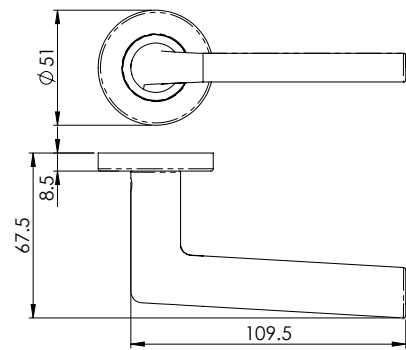
Serozzetta C Range



- Zinc cast levers
- Push on rose



SZC010
Uno


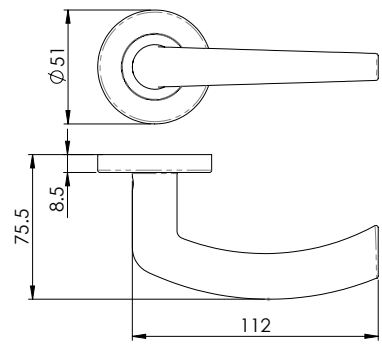
CP SC






SZC020
Dos


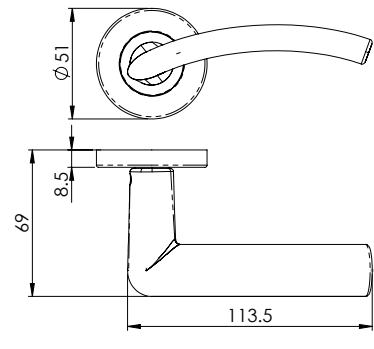
CP SC






SZC030
Tres


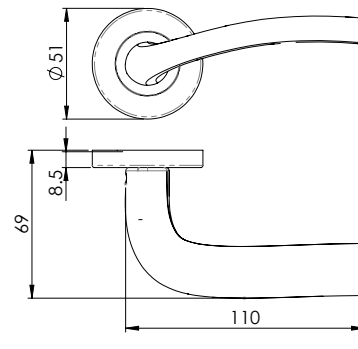
CP SC






SZC040
Cuatro

PC

SZC050
Cinco

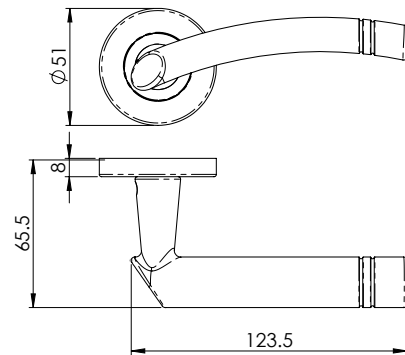
CP



SZC340
Cuarenta

CP SC



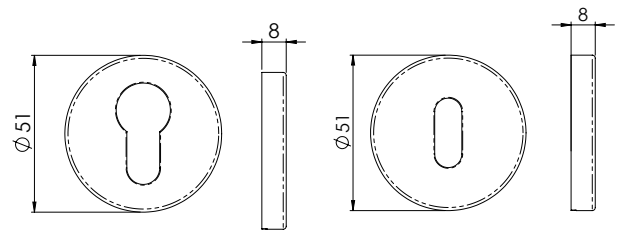
CP SC



SZC001
Euro
Escutcheon

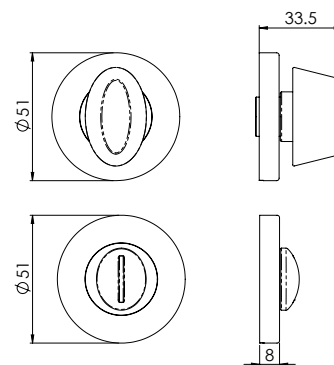


SZC003
Lock
Escutcheon



SZC004
Thumbturn & Release

CP SC





SZC042CP





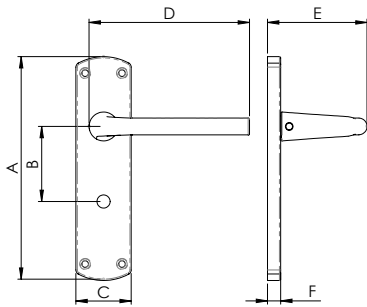
SZC011Y
Uno on Euro Backplate



SZC011
Lock

SZC012
Latch

SZC013
Bathroom



	A	B	C	D	E	F
SZC011	170	57	41.5	110	69	10
SZC011Y	170	47.5	41.5	110	69	10
SZC012	170	-	41.5	110	69	10
SZC013	170	57	41.5	110	69	10



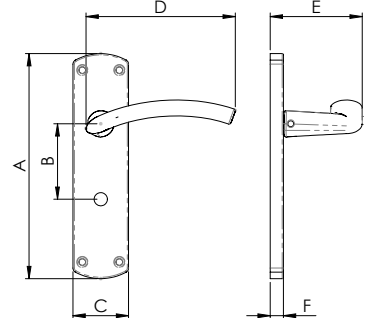
SZC031
Tres on Lock Backplate



SZC031Y
Euro

SZC032
Latch

SZC033
Bathroom



	A	B	C	D	E	F
SZC031	170	57	41.5	113	69	10
SZC031Y	170	47.5	41.5	113	69	10
SZC032	170	-	41.5	113	69	10
SZC033	170	57	41.5	113	69	10



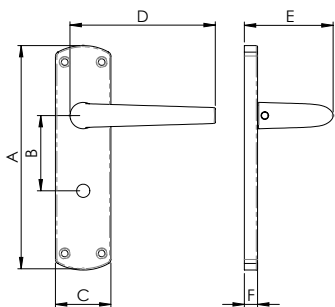
SZC023
Dos on Bathroom Backplate



SZC021
Lock

SZC021Y
Euro

SZC022
Latch



	A	B	C	D	E	F
SZC021	170	57	41.5	112.5	75.5	10
SZC021Y	170	47.5	41.5	112.5	75.5	10
SZC022	170	-	41.5	112.5	75.5	10
SZC023	170	57	41.5	112.5	75.5	10



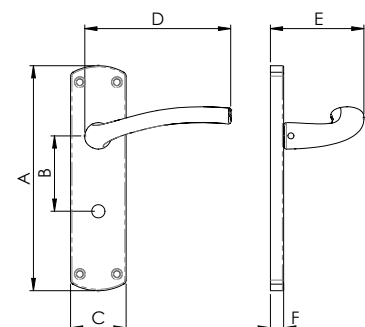
SZC042
Cuatro on Latch Backplate



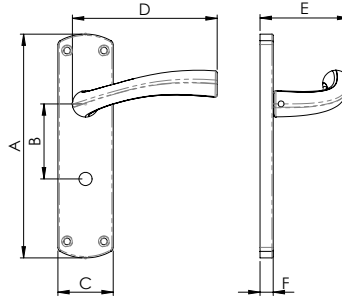
SZC041
Lock

SZC041Y
Euro

SZC043
Bathroom



	A	B	C	D	E	F
SZC041	170	57	41.5	110	69	10
SZC041Y	170	47.5	41.5	110	69	10
SZC042	170	-	41.5	110	69	10
SZC043	170	57	41.5	110	69	10



SZC053
Cinco on Bathroom Backplate



SZC051
Lock

SZC051Y
Euro

SZC052
Latch



	A	B	C	D	E	F
SZC051	170	57	41.5	110	68.5	10
SZC051Y	170	47.5	41.5	110	68.5	10
SZC052	170	-	41.5	110	68.5	10
SZC053	170	57	41.5	110	68.5	10

SZR020PN



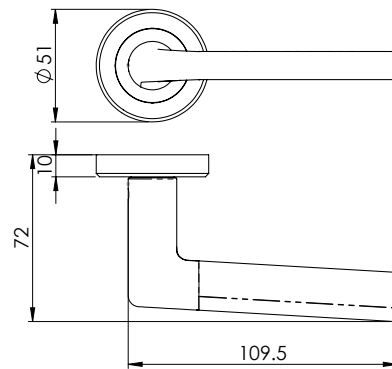
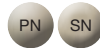
Serozzetta R Range

Serozzetta R Range

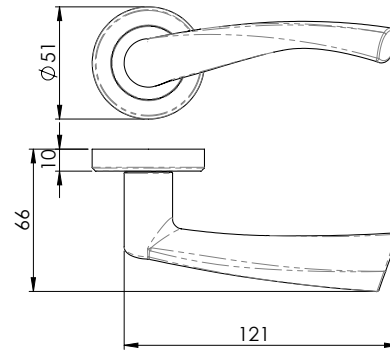
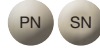
- A new take on our bestselling lever designs
- Ideal in a contemporary setting
- Available on round rose or oversized backplate to cover previous fixing points
- On trend finishes with a full range of accessories to suit
- Bolt through fixings
- Aluminium cast levers
- Screw on zinc rose



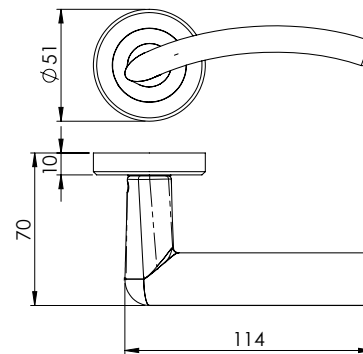
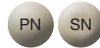
SZR010
Dieci



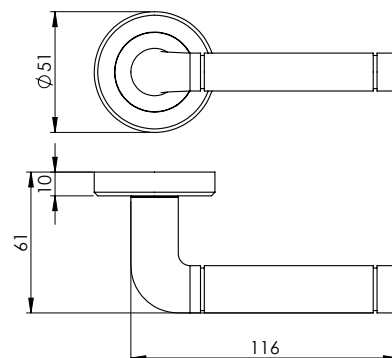
SZR020
Venti



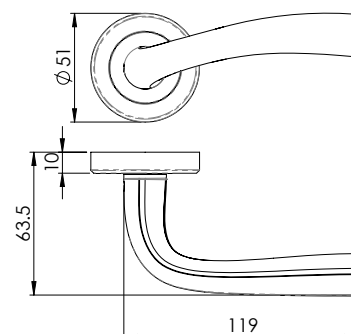
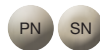
SZR030
Trenta



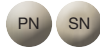
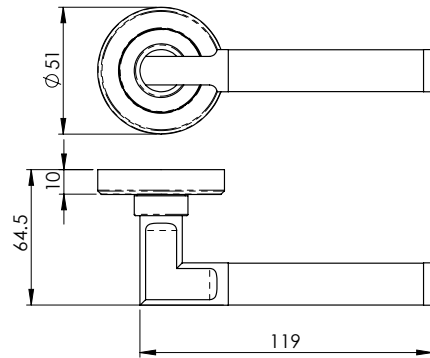
SZR040
Quaranta



SZR050
Cinquanta



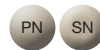
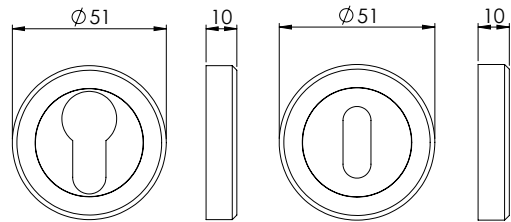
SZR060
Sessanta



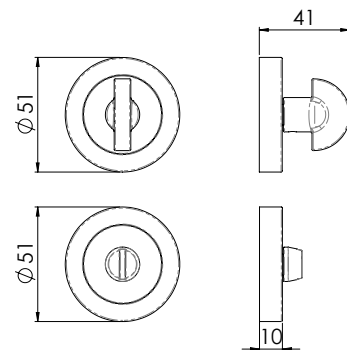
SZR001
Euro Escutcheon



SZR002
Lock Escutcheon



SZR004
Thumbturn & Release

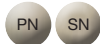


SZR022PN





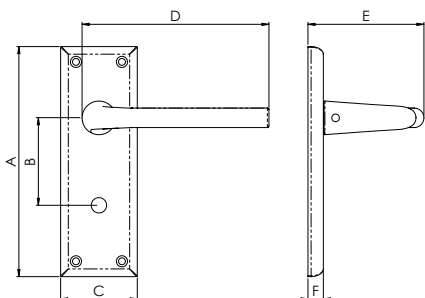
SZR012
Dieci on Latch Backplate



SZR011
Lock

SZR011Y
Euro

SZR013
Bathroom



	A	B	C	D	E	F
SZR011	150	57	50	109.5	72	10
SZR011Y	150	47.5	50	109.5	72	10
SZR012	150	-	50	109.5	72	10
SZR013	150	57	50	109.5	72	10



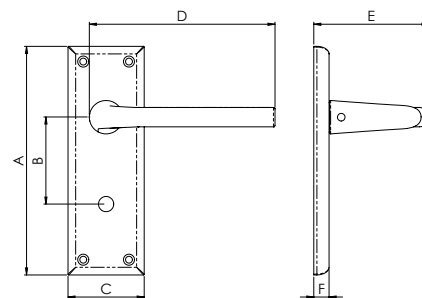
SZR032
Trenta on Latch Backplate



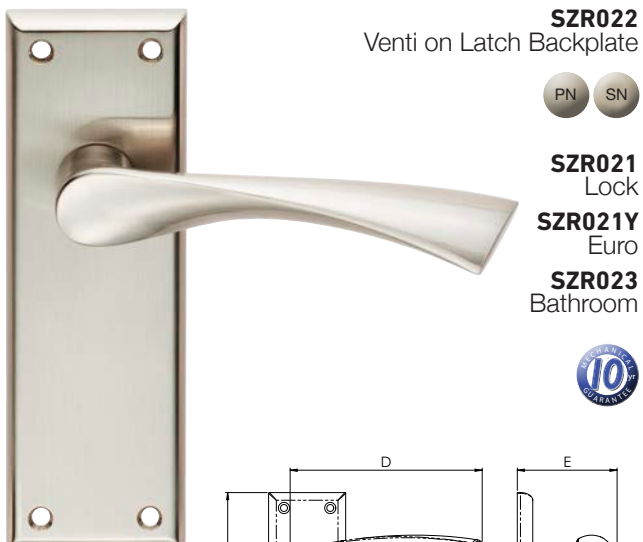
SZR031
Lock

SZR031Y
Euro

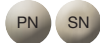
SZR033
Bathroom



	A	B	C	D	E	F
SZR031	150	57	50	114	70	10
SZR031Y	150	47.5	50	114	70	10
SZR032	150	-	50	114	70	10
SZR033	150	57	50	114	70	10



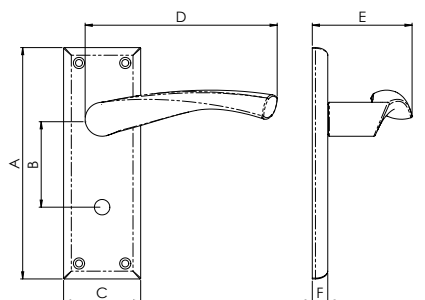
SZR022
Venti on Latch Backplate



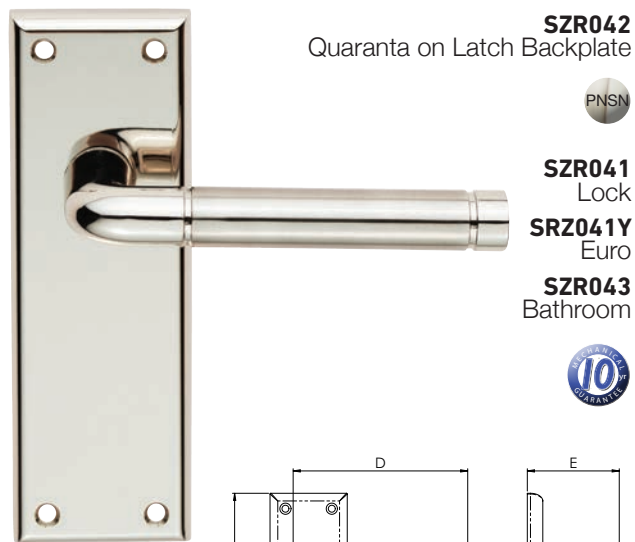
SZR021
Lock

SZR021Y
Euro

SZR023
Bathroom



	A	B	C	D	E	F
SZR021	150	57	50	121	66	10
SZR021Y	150	47.5	50	121	66	10
SZR022	150	-	50	121	66	10
SZR023	150	57	50	121	66	10



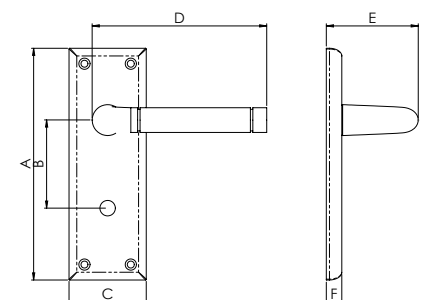
SZR042
Quaranta on Latch Backplate



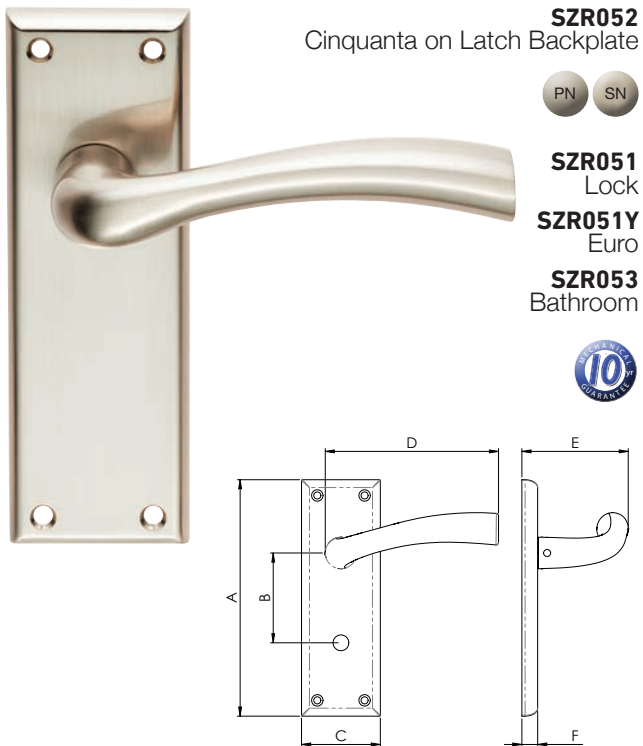
SZR041
Lock

SZR041Y
Euro

SZR043
Bathroom



	A	B	C	D	E	F
SZR041	150	57	50	116	60	10
SZR041Y	150	47.5	50	116	60	10
SZR042	150	-	50	116	60	10
SZR043	150	57	50	116	60	10



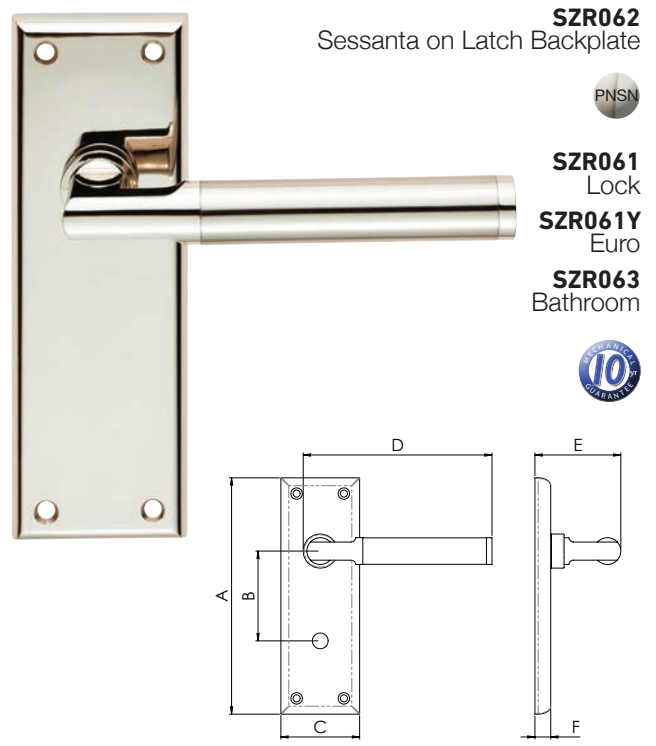
SZR052
Cinquanta on Latch Backplate

PN SN

SZR051
Lock

SZR051Y
Euro

SZR053
Bathroom



SZR062
Sessanta on Latch Backplate

PNSN

SZR061
Lock

SZR061Y
Euro

SZR063
Bathroom



	A	B	C	D	E	F
SZR051	150	57	50	119	63.5	10
SZR051Y	150	47.5	50	119	63.5	10
SZR052	150	-	50	119	63.5	10
SZR053	150	57	50	119	63.5	10

	A	B	C	D	E	F
SZR061	150	57	50	119	63.5	10
SZR061Y	150	47.5	50	119	63.5	10
SZR062	150	-	50	119	63.5	10
SZR063	150	57	50	119	63.5	10



PLW



Traditional

Traditional

Our much loved range still delights our customers ◀

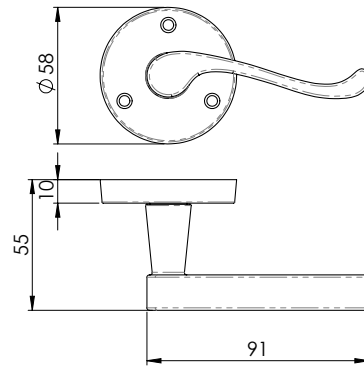
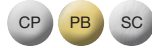
Perfectly suited to period properties ◀

A full range of accessories ◀

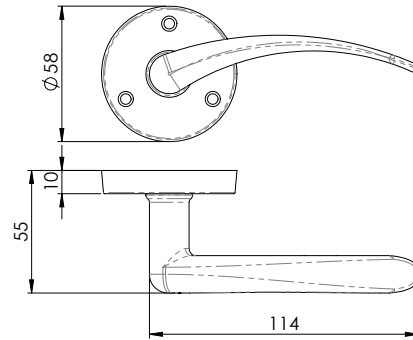




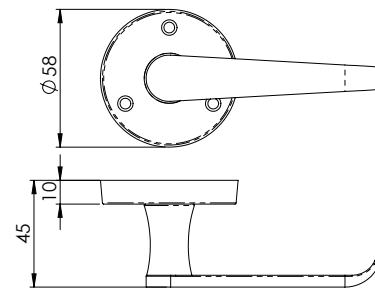
DL56
Victorian Scroll



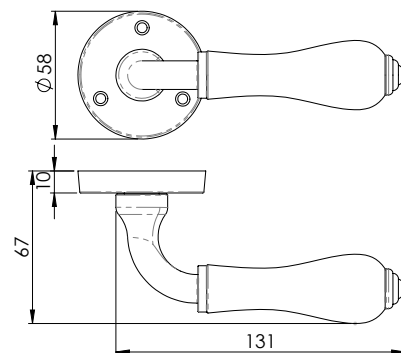
DL66
Wing



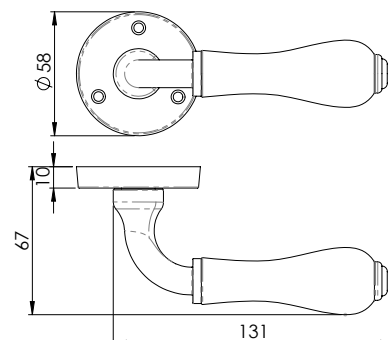
M32
Victorian



PLW
Porcelain



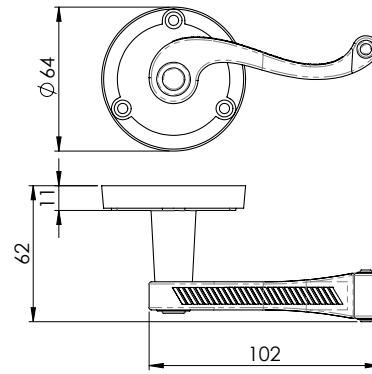
PLWCP
Porcelain





FG3
Georgian

PB



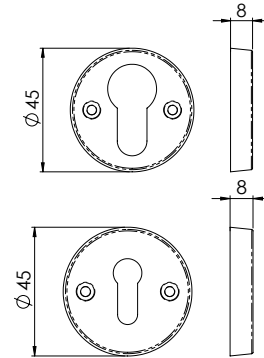
AA145
Euro Escutcheon

CP DB PB SC SN



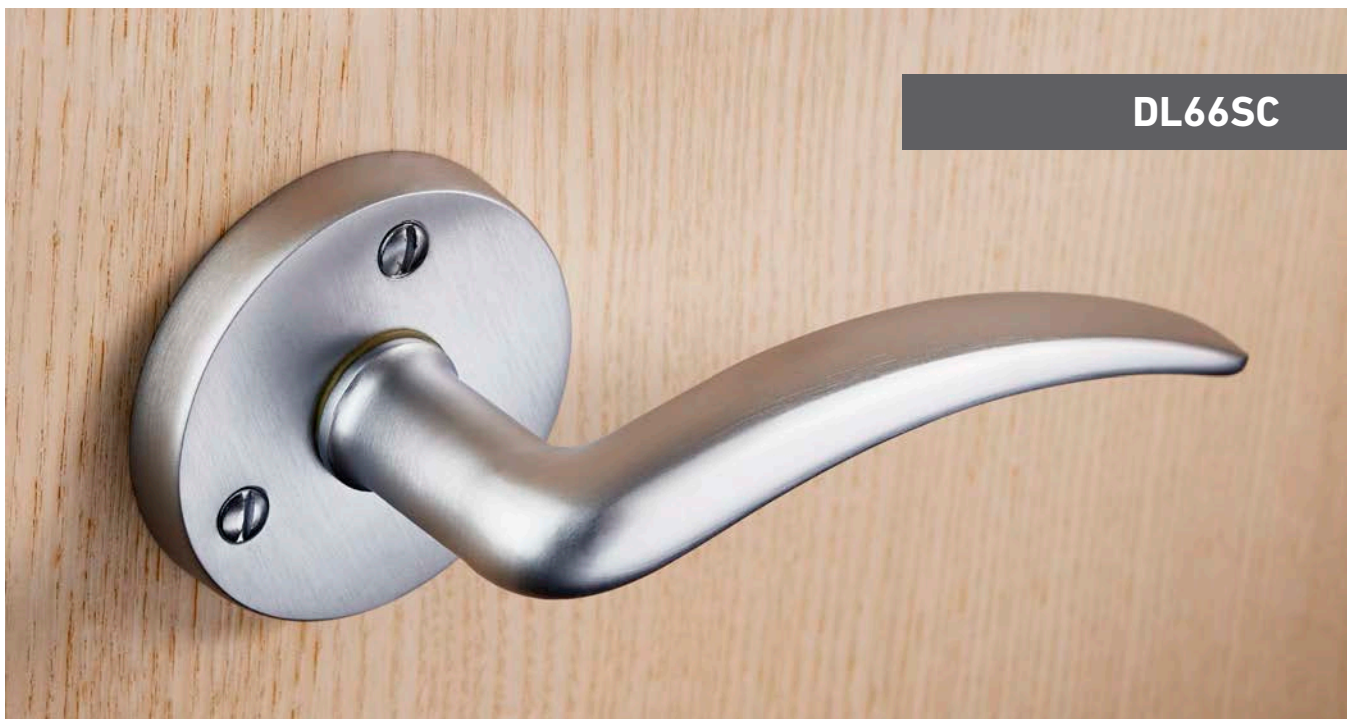
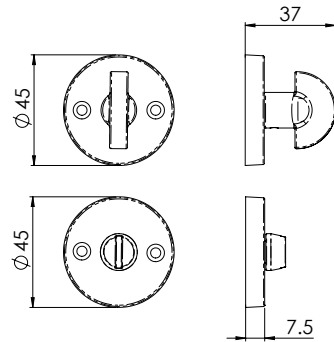
AA345
Lock Escutcheon

SC SN



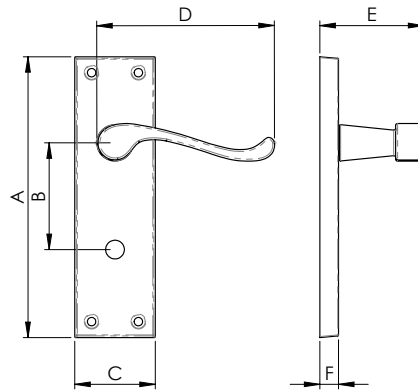
B12
Thumbturn & Release

CP DB PB SC SN



DL66SC



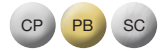


	A	B	C	D	E	F
DL54	150	57	42	95	55	10
DL54WC	150	57	42	95	55	10
DL54Y	150	47.5	42	95	55	10
DL54S	150	-	42	95	55	10
DL55	118	-	42	95	55	10
DL55WC	118	40	42	95	55	10

DL54
Victorian Scroll on Lock Profile Backplate

DL54WC
Bathroom

DL54Y
Euro

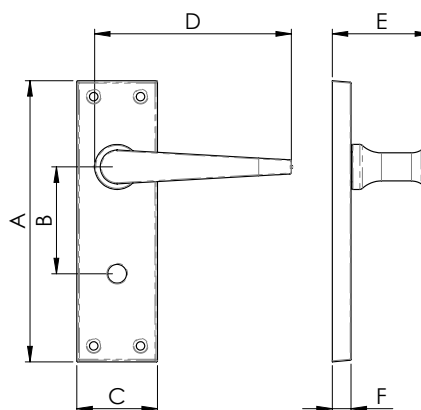
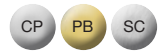


DL54S
Sweedor Latch



DL55
Latch Short Plate

DL55WC
Privacy Short Plate



	A	B	C	D	E	F
DL30	150	57	43	102	10	10
DL30WC	150	57	43	102	10	10
DL31	118	-	43	102	10	10

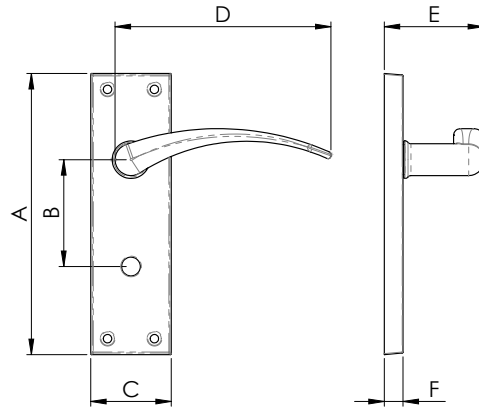
DL30
Victorian Ascot on Lock Profile Backplate
Heavy



DL30WC
Bathroom

DL31
Latch
Short Plate





	A	B	C	D	E	F
DL64	150	57	43	116	55	10
DL64WC	150	57	43	116	55	10
DL65	150	-	43	116	55	10

DL64
Wing on Lock Profile Backplate

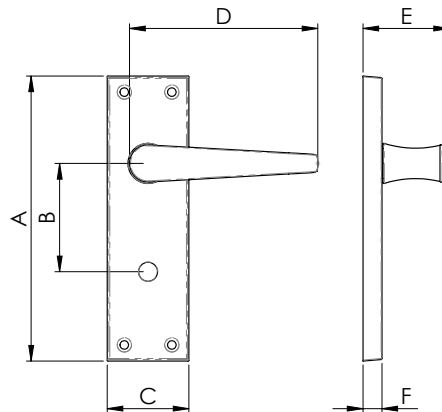


DL64WC
Bathroom

DL65
Latch



M30
Victorian on Lock Profile Backplate



	A	B	C	D	E	F
M30	150	57	42	100	44	10
M30U	150	48,5	42	100	44	10
M30Y	150	57	42	100	44	10
M30WC	150	57	42	100	44	10
M30S	150	-	42	100	44	10
M31	118	-	42	100	44	10
M31WC	118	40	42	100	44	10

M30Y
Euro

M30WC
Bathroom

M31
Short Plate Latch

M31WC
Short Plate Privacy

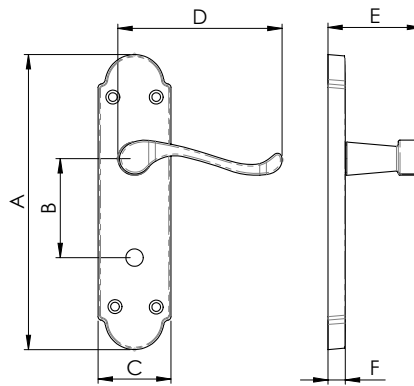


M30U
Oval

M30S
Sweedor Latch



DL167
Oakley on Latch Backplate



DL168
Lock

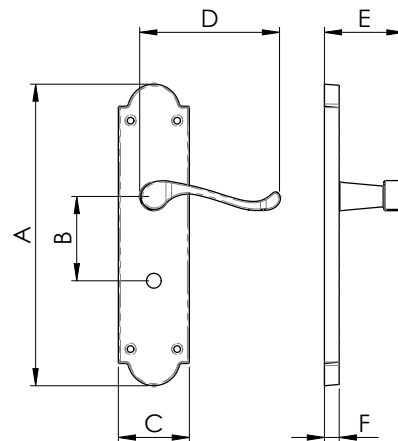
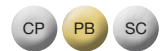
DL168WC
Bathroom

DL168Y
Euro



	A	B	C	D	E	F
DL167	170	-	42	92	56	10
DL168	170	57	42	92	56	10
DL168WC	170	57	42	92	56	10
DL168Y	170	47.5	42	92	56	10

M68
Victorian Shaped Scroll
on Lock Profile Backplate



M68WC
Bathroom

M67
Latch

M68Y
Euro



	A	B	C	D	E	F
M67	205	-	49	95	49	8
M68	205	57	49	95	49	8
M68WC	205	57	49	95	49	8
M68Y	205	47.5	49	95	49	8

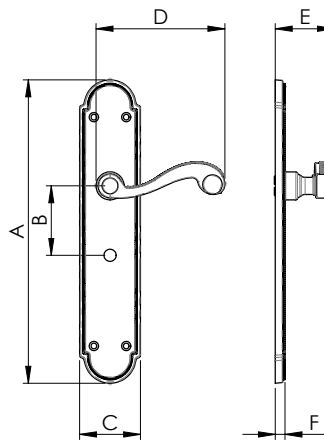
DL271
Chesham on Lock Profile Backplate



DL270
Latch

DL272
Bathroom

DL271Y
Euro



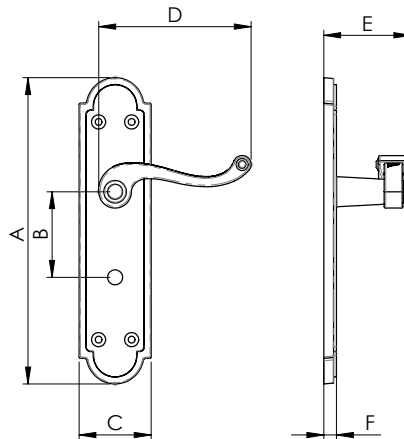
	A	B	C	D	E	F
DL270	250	-	50	108	54	6.5
DL271	250	57	50	108	54	6.5
DL271Y	250	47.5	50	108	54	6.5
DL272	250	57	50	108	54	6.5

FG27
Georgian Shaped on Lock Profile Backplate



FG26L
Latch

FG27WC
Bathroom



	A	B	C	D	E	F
FG26L	205	-	49	102	60	9
FG27	205	57	49	102	60	9
FG27WC	205	57	49	102	60	9

FG1
Georgian on Lock Profile Backplate



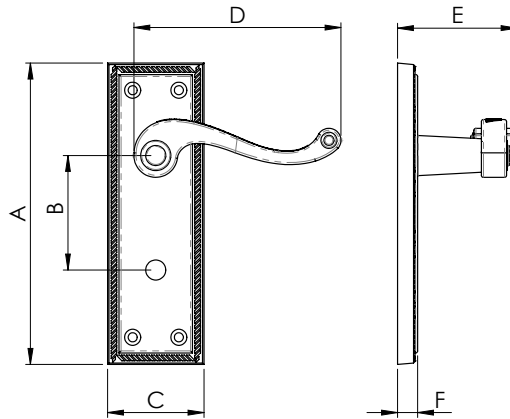
FG1Y
Euro

FG1WC
Bathroom

FG1S
Sweedor

FG2
Short Plate Latch

FG2WC
Short Plate Privacy



	A	B	C	D	E	F
FG1	150	57	48	102	62	10
FG1Y	150	47,5	48	102	62	10
FG1WC	150	57	48	102	62	10
FG1S	150	-	48	102	62	10
FG2	112	-	48	102	62	10
FG2WC	112	40	48	102	62	10

DL181
Andros on Latch Backplate

DL180
Lock

DL182
Bathroom



DL180Y
Euro



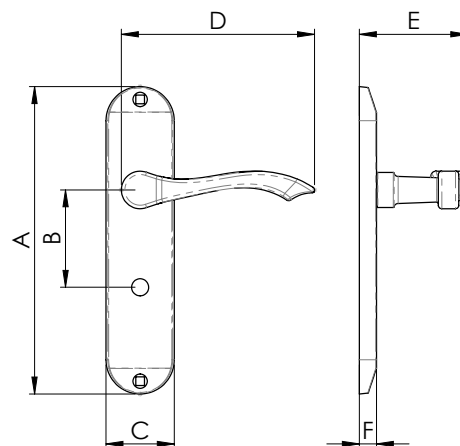
DL380
Long Plate Lock

DL380Y
Long Plate Euro

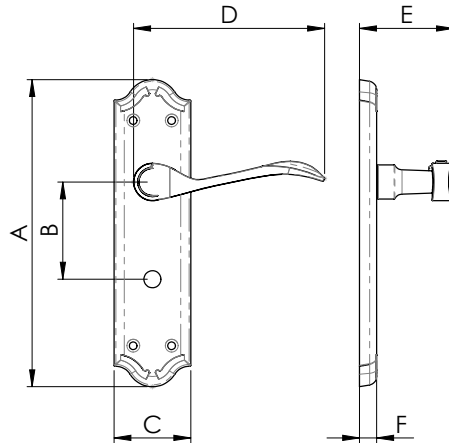


DL381
Long Plate Latch

DL382
Long Plate Bathroom



	A	B	C	D	E	F
DL180	180	57	40	115	64	10
DL180Y	180	47,5	40	115	64	10
DL181	180	-	40	115	64	10
DL182	180	47,5	40	115	64	10
DL380	241	57	40	115	64	10
DL380Y	241	47,5	40	115	64	10
DL381	241	-	40	115	64	10
DL382	241	57	40	115	64	10



DL191
Madrid on Latch Backplate

DL190
Lock

DL192
Bathroom



DL290
Long Plate Lock

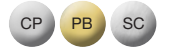
DL291
Long Plate Latch

DL292
Long Plate Bathroom

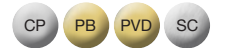


	A	B	C	D	E	F
DL190	180	57	45	112	45	10
DL191	180	-	45	112	45	10
DL192	180	57	45	112	45	10
DL290	245	57	45	112	45	10
DL291	245	-	45	112	45	10
DL292	245	57	45	112	45	10

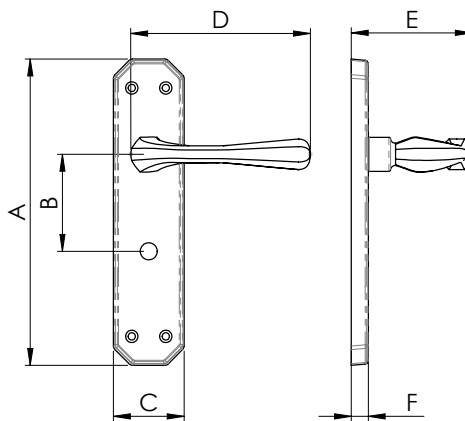
DL411
Eden on Latch Backplate



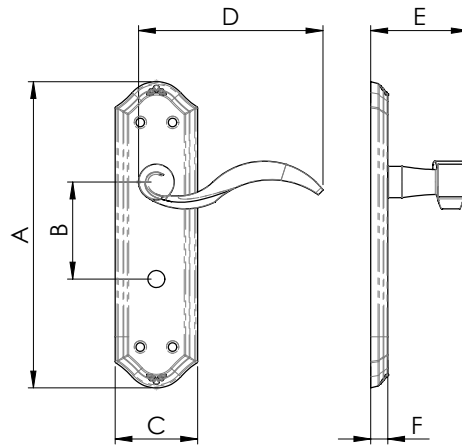
DL410
Lock



DL412
Bathroom



	A	B	C	D	E	F
DL410	180	57	41.5	108	73	11
DL411	180	-	41.5	108	73	11
DL412	180	57	41.5	108	73	11



DL341

Wentworth on Latch Backplate



DL340

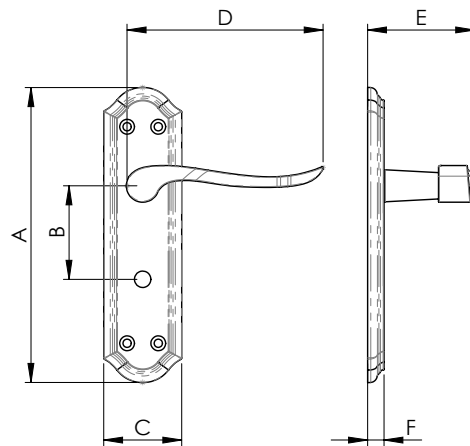
Lock

DL342

Bathroom



	A	B	C	D	E	F
DL340	180	57	48	107	58	10
DL341	180	-	48	107	58	10
DL342	180	57	48	107	58	10



DL451

Lytham on Latch Backplate



DL450

Lock

DL452

Bathroom



	A	B	C	D	E	F
DL450	180	57	48	121	64	10
DL451	180	-	48	121	64	10
DL452	180	57	48	121	64	10



For switches and sockets in polished brass finish see www.eurolite.co.uk

M1001MB/SB



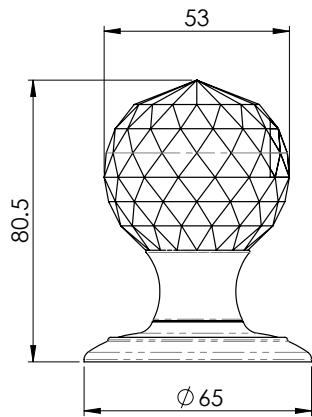
Mortice Knobs

Mortice Knobs

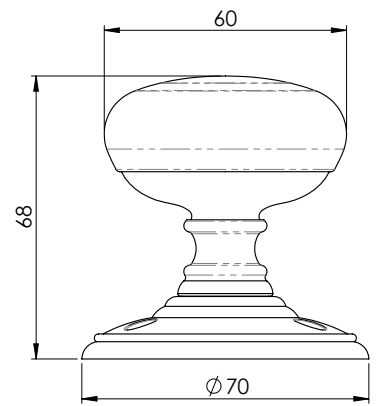
- Wide range of traditional and period mortice knobs
- High quality traditional materials including solid brass, wood and porcelain
- Suitable for traditional and period properties to give that classic finishing touch
- Suited accessories available in all finishes



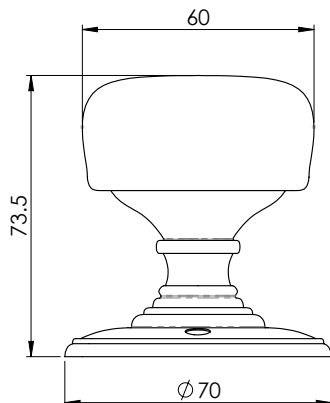
AC020
Facetted Crystal Knob
Concealed Fix
Unsprung



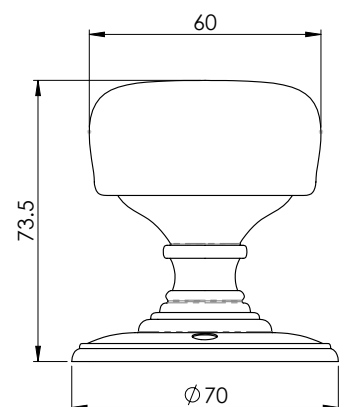
DK32W0SC
Wooden Knob
Face Fix
Unsprung



DK34MCCP
Porcelain Knob
Face Fix
Unsprung

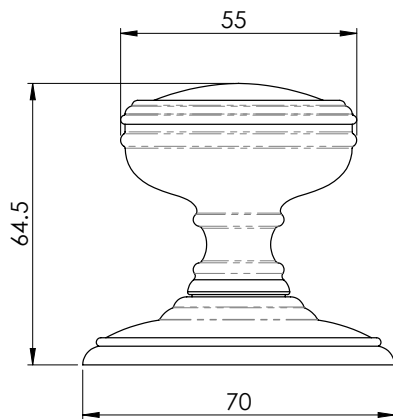


DK34ICFB
Porcelain Knob
Face Fix
Unsprung

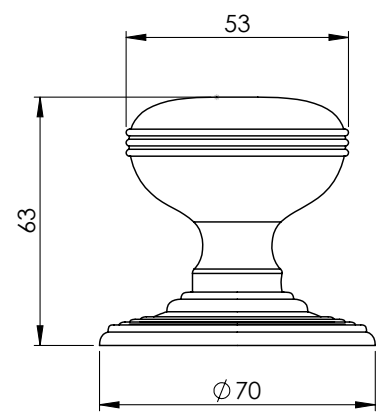




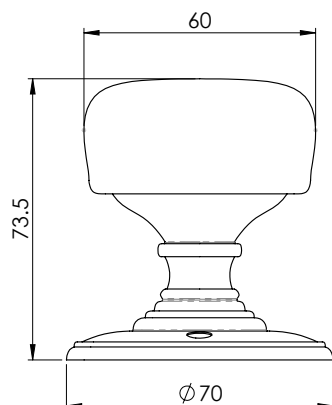
DK35C
Plain Knob
Concealed Fix
Unsprung



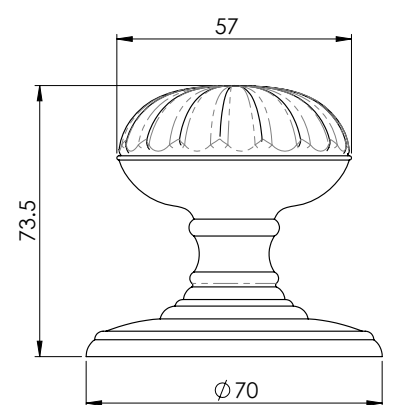
DK39C
Ringed Knob
Concealed Fix
Unsprung



DK34
Porcelain Knob
Face Fix
Unsprung



DK36C
Flower Knob
Concealed Fix
Unsprung





DK37C
Reeded Knob
Concealed Fix
Unsprung

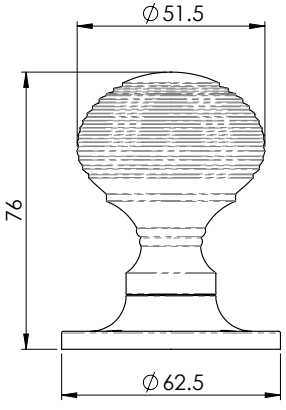
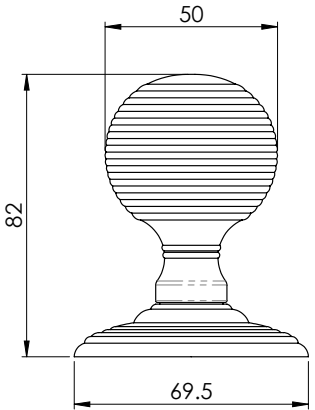
- CP
- FB
- PB
- SC
- SN



M1001
Queen Anne Mortice Knob
Unsprung

- New**
- CP
 - DB
 - MB

- New**
- PB
 - SB
 - SC



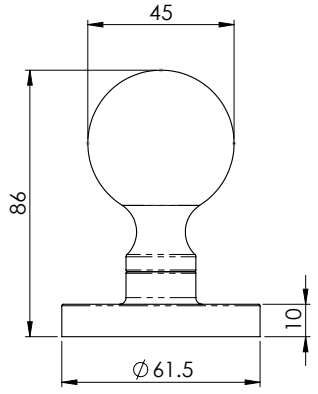
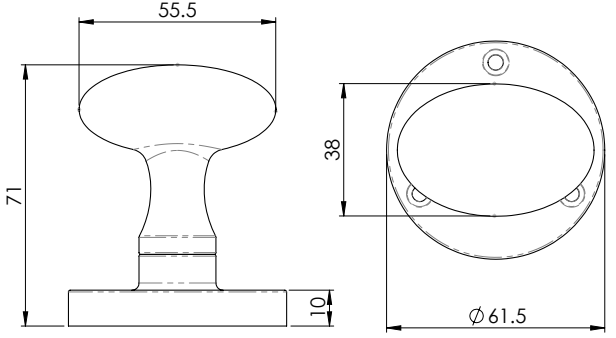
M34
Oval Mortice Knob
Half Sprung

- CP
- PB
- SC



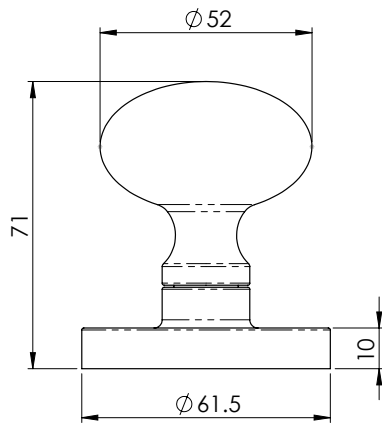
M48
Ball Mortice Knob
Solid Half Sprung

- CP
- PB
- SC

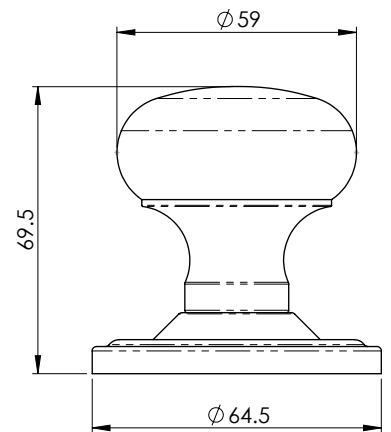




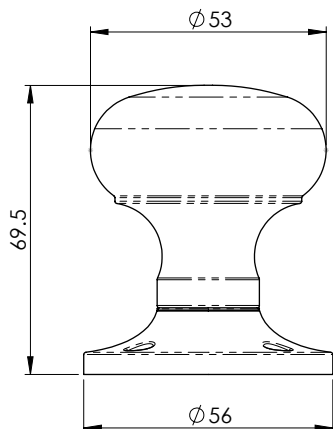
M35
Victorian Mushroom
Mortice Knob
Solid Half Sprung



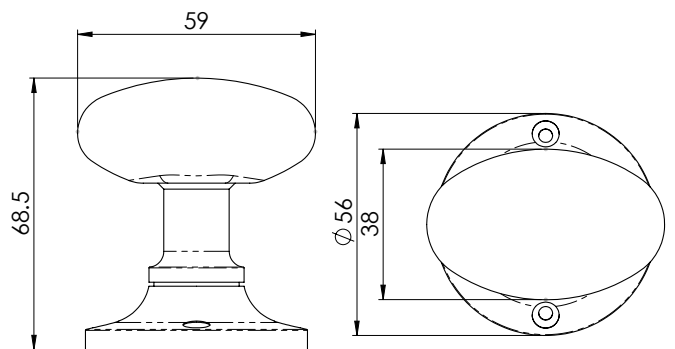
M35C
Mushroom
Mortice Knob
Concealed Fix
Unsprung



M35US
Mushroom
Mortice Knob
Unsprung



MK001
Oval Mortice Knob

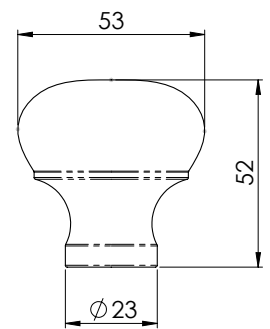
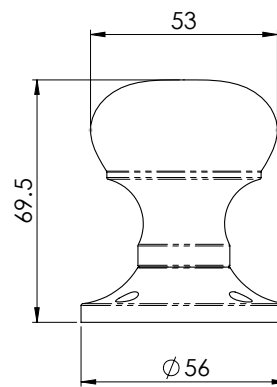
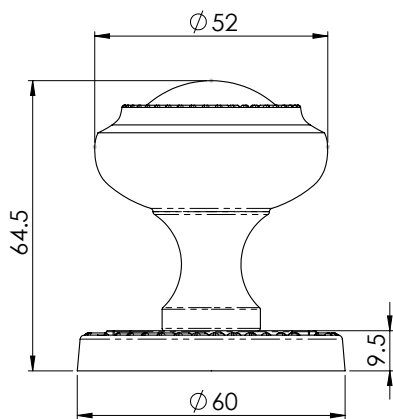




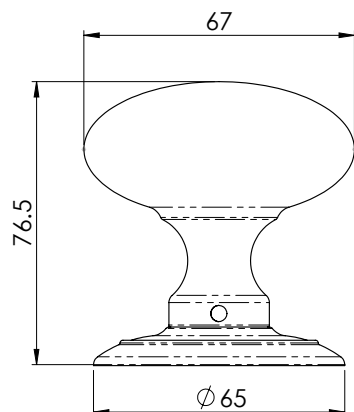
FG4
Georgian Mortice Knob
Half Sprung



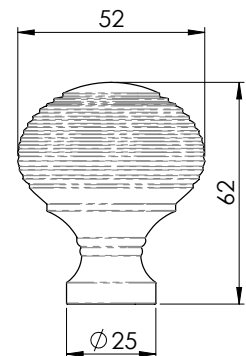
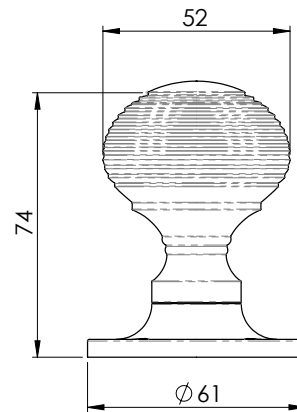
M35RS
Small Mushroom
Rim Knob
Unsprung



AC050
Large Mortice Knob
Unsprung



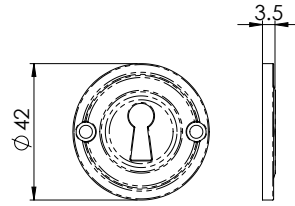
M1001R
Queen Anne
Rim Mortice Knob
Unsprung





AQ41
Lock Escutcheon

CP FB **New MB** **New PB** PVD SB SC

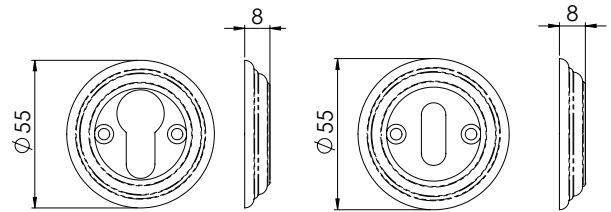


DK1
Euro Escutcheon

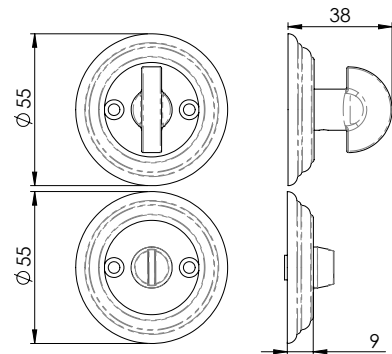


DK3
Lock Escutcheon

CP FB **PB** SC SN

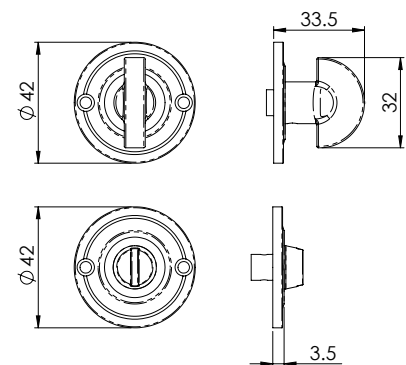


CP FB **PB** SC SN



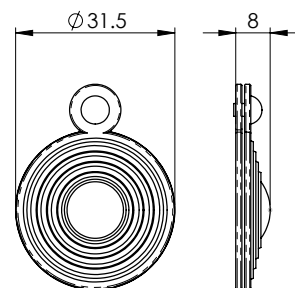
DK13
Small Thumbturn & Release

CP FB **New MB** **New PB** SB SC



M1000
Queen Anne Covered Escutcheon

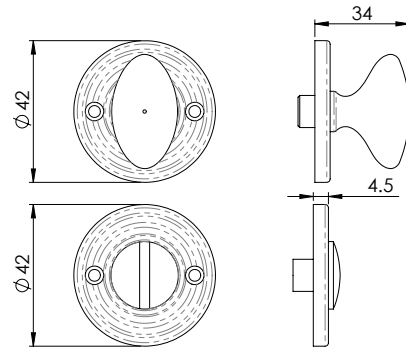
CP FB **PB** SC



AQ133
Oval Thumbturn and Release



- CP
- PB

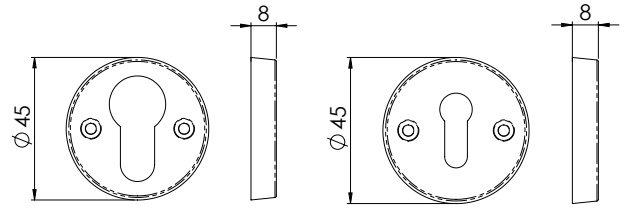


AA145
Euro Escutcheon

AA345
Lock Escutcheon

- CP
- DB
- PB
- SC
- SN

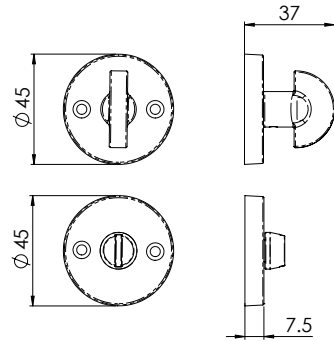
- SC
- SN



B12
Thumbturn & Release



- CP
- DB
- PB
- SC
- SN



DK37CSN





Pull Handles and Push Plates

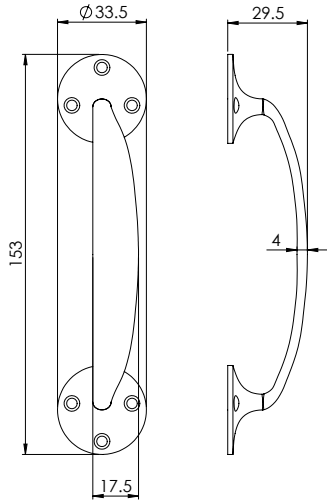
Pull Handles and Push Plates

- Collection of pull handles and push plates
- Varied choice of designs for modern and contemporary environments

Pull Handles



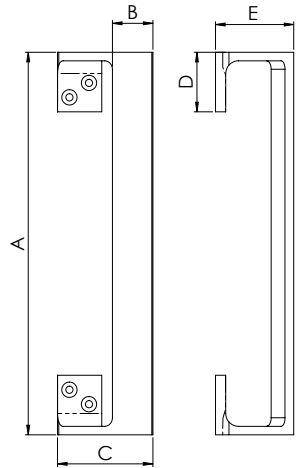
AA36
Bow Handle



AA90
Cranked Pull Handle



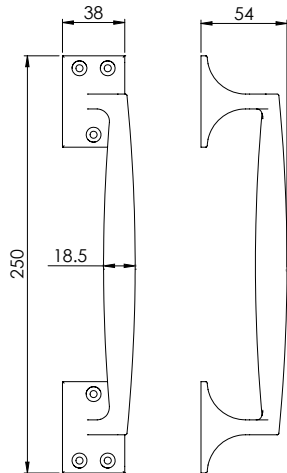
AA91



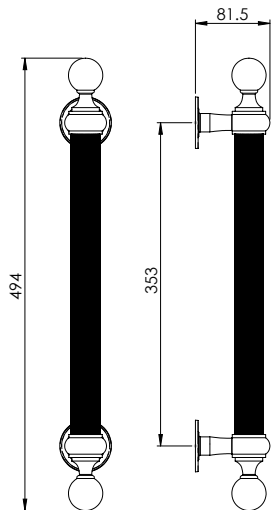
	A	B	C	D	E
AA90	225	24	54.5	34	47
AA91	302	24	62	40	47



AA92
Pub Style
Pull Handle on Rose

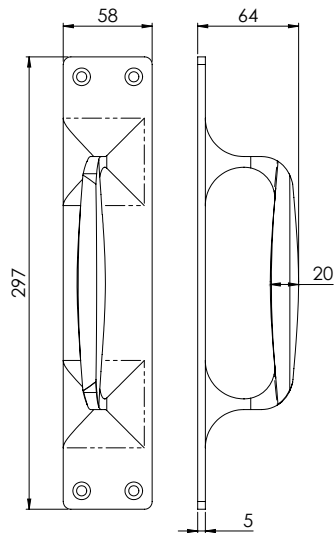


PF108
Reeded Grip
Pull Handle on Rose





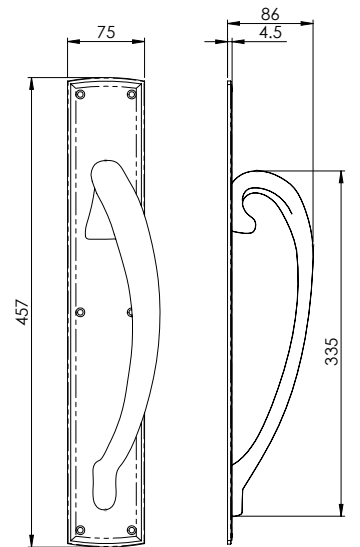
AA95
Cast Pull Handle



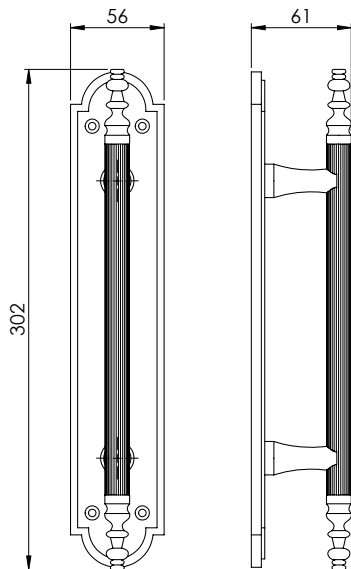
PF100R
Large Pull Handle
Right Hand



PF101L
Left Hand



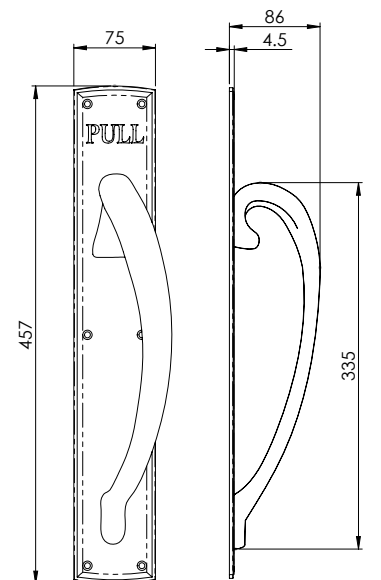
DL611
Chesham Pull Handle



PF103ER
Engraved Large Pull Handle
Right Hand

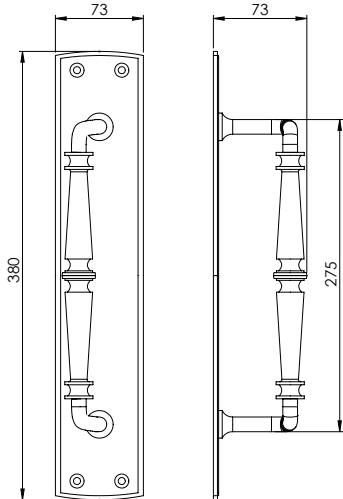


PF104EL
Left Hand





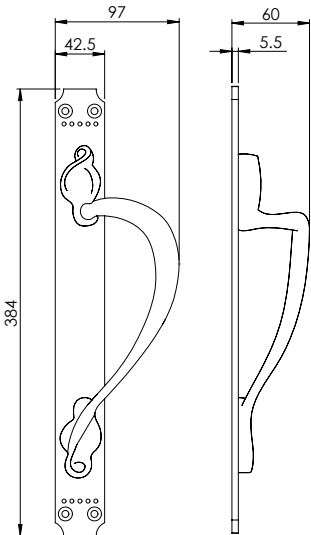
PF106
Ornate Pull Handle



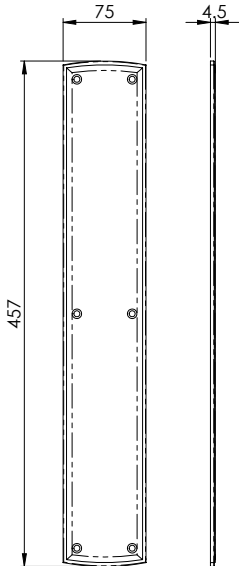
PF109AR
Laurin Pull Handle
Right Hand



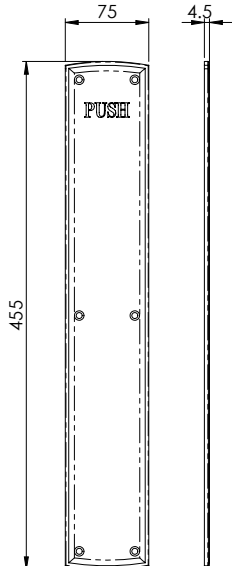
PF109AL
Left Hand



PF102
Large Push Plate

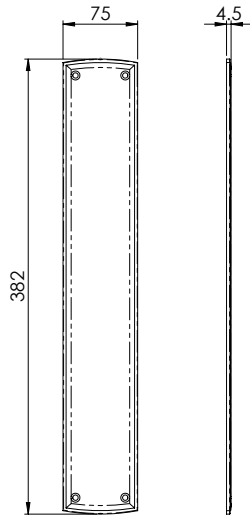


PF105E
Engraved Large Push Plate

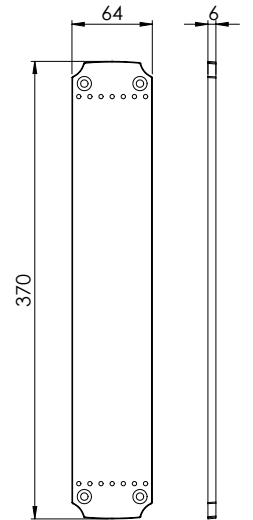




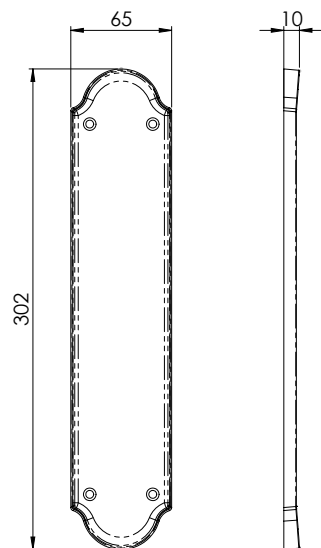
PF107
Finger Plate



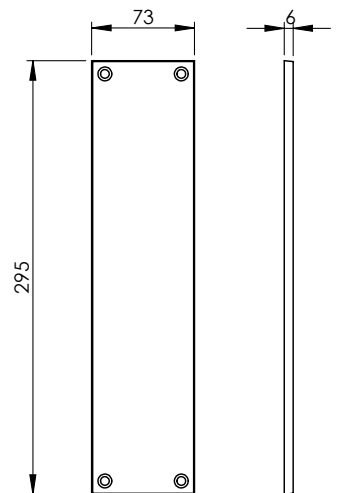
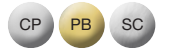
PF110
Laurin Finger Plate



DL20
Shaped End
Finger Plate



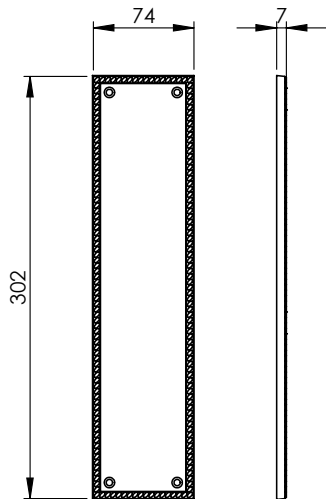
M39
Finger Plate



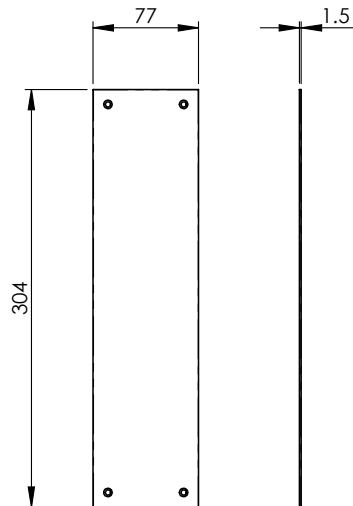
Finger Plates



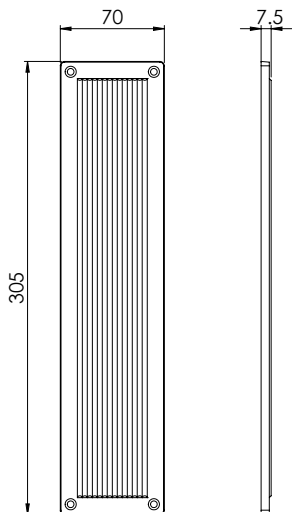
FG10
Finger Plate



M39F
Flat Sheet Finger Plate



M1002
Queen Anne Finger Plate





Residential Hinges

Residential Hinges

Various hinges to suit the design of the residential home ◀

Smaller knuckles, more appropriate for the residential home ◀

10 year mechanical guarantee ◀

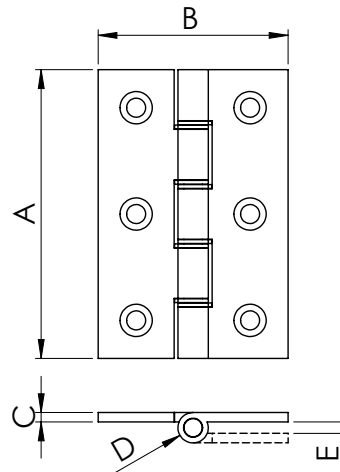
Not suitable for use on fire doors ◀

HDSW1
Double Steel Washered
Brass Butt Hinge

HDSW2



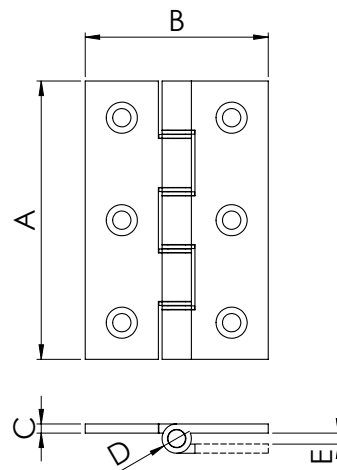
HDSW20
HDSW3



	A	B	C	D	E
HDSW1	76	50	2	R3.5	3
HDSW2	102	67	2.2	R4	2
HDSW20	76	50	2.5	R4	3
HDSW3	102	67	2.5	R4	3
HDSW4	102	67	2.5	R4	3



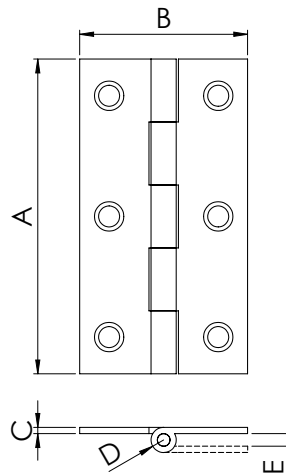
HDSSW2
HDSSW5
Double Stainless Steel
Washed Brass Butt Hinge



	A	B	C	D	E
HDSSW2	76	50	2.5	4	3
HDSSW5	102	57	4	5.5	3



**HSD3
HSD4**
Solid Drawn Brass
Butt Hinge



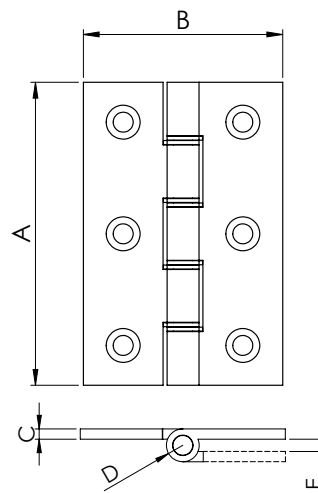
	A	B	C	D	E
HSD3	76	40	1.5	3	3
HSD4	102	58	2	4	4



**HDPBW21
HDPBW61**
Double Phosphor Bronze
Washed Butt Hinge



**HDPBW4
HDPBW8
HDPBW10**

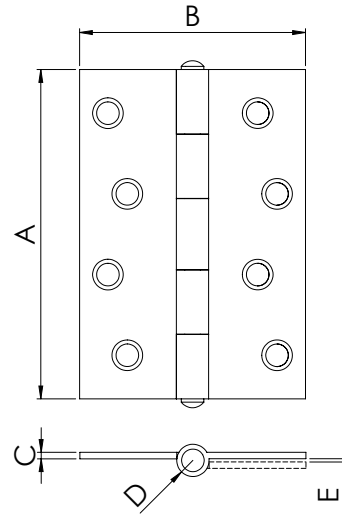


	A	B	C	D	E
HDPBW21	76	50	2.5	4	3
HDPBW61	102	67	4	5.5	3
HDPBW4	102	67	2.5	4	3
HDPBW8	102	76	4	5.5	3
HDPBW10	127	76	3	4.5	3



HINFP1
HINFP4
Fixed Pin Hinge

PCB



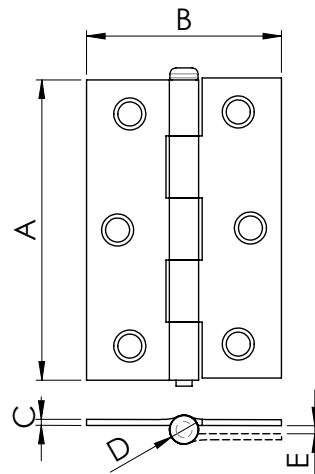
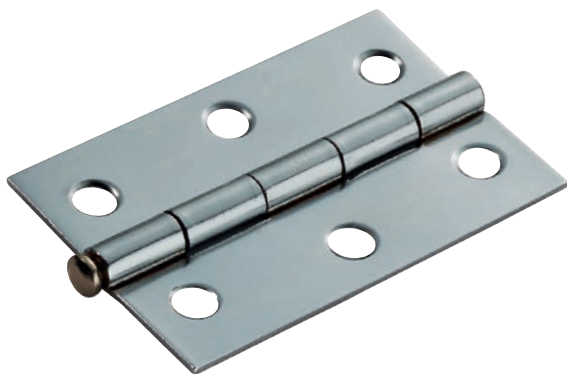
	A	B	C	D	E
HINFP1	75	50	1.5	3.5	0.5
HINFP4	102	72	2	5	1



HINLP1
Loose Pin Hinge

HINLP4

CP

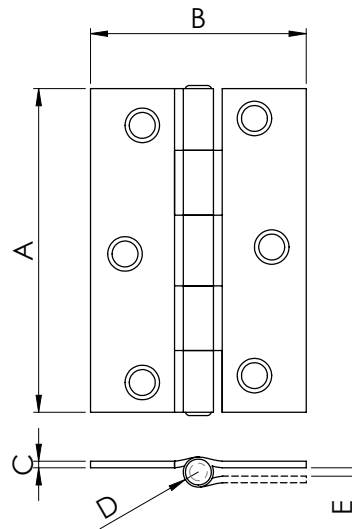


	A	B	C	D	E
HINLP1	75.5	49	1.5	5	2
HINLP4	100	71.5	1.5	7	3



183876
Contractors Narrow Pattern
Butt Hinge

1838100



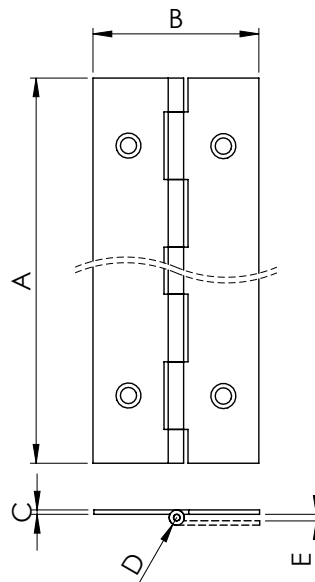
	A	B	C	D	E
183876	75	50	1.5	7	2
1838100	100	72	2	9	2.5



EBH1
Plated Steel Piano Hinge
(Pack of 50)

EBH2 
EBH3

NPH1 
NPH2
NPH3



	A	B	C	D	E
EBH1	1830	25	1	3.5	5.5
EBH2	1830	32	1	3.5	5.5
EBH3	1830	38	1	3.5	5.5
NPH1	1830	25	1	3.5	5.5
NPH2	1830	32	1	3.5	5.5
NPH3	1830	38	1	3.5	5.5



ADR013CP

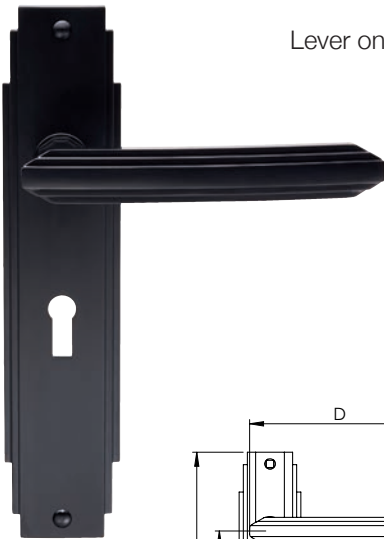


Art Deco

Art Deco

- Our sophisticated Art Deco range oozes elegance and charm ◀
- Original Carlisle Brass design inspired by 1920's New York architecture ◀
- Co-ordinates beautifully with our cabinet hardware range ◀





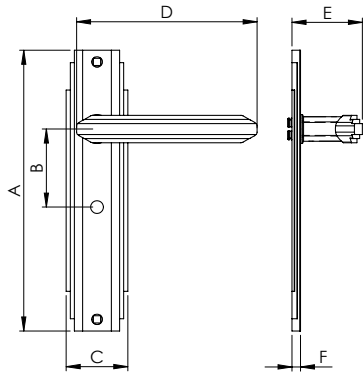
ADR011
Lever on Lock Profile Backplate

ADR012
Latch

ADR013
Bathroom



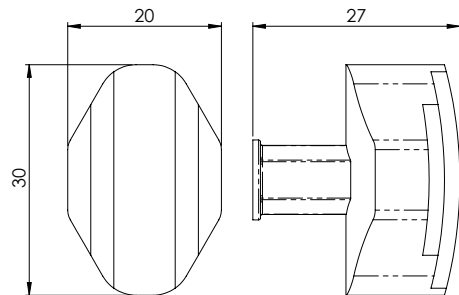
ADR011Y
Euro



	A	B	C	D	E	F
ADR011	205	57	45	132	60.5	6
ADR011Y	205	47.5	45	132	60.5	6
ADR012	205	-	45	132	60.5	6
ADR013	205	57	45	132	60.5	6



ADR501B
Art Deco Cabinet Knob



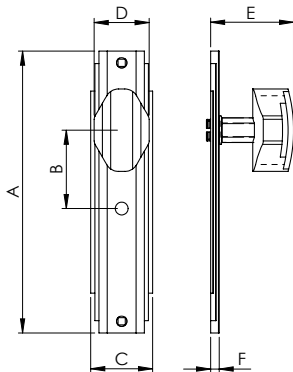
ADR022
Knob on Latch Backplate Unsprung



ADR021Y
Euro

ADR021
Lock

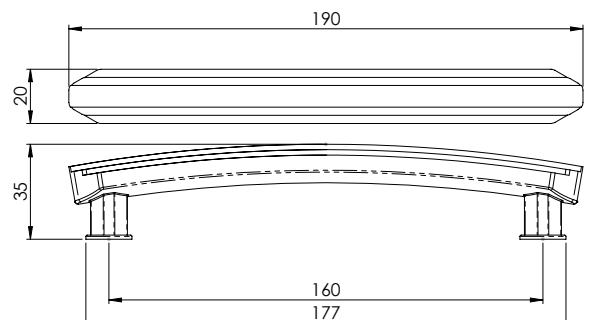
ADR023
Bathroom



	A	B	C	D	E	F
ADR021	205	57	45	40	60.5	6
ADR021Y	205	47.5	45	40	60.5	6
ADR022	205	-	45	40	60.5	6
ADR023	205	57	45	40	60.5	6



ADR502C
Art Deco Cabinet Handle





Ludlow Black Antique

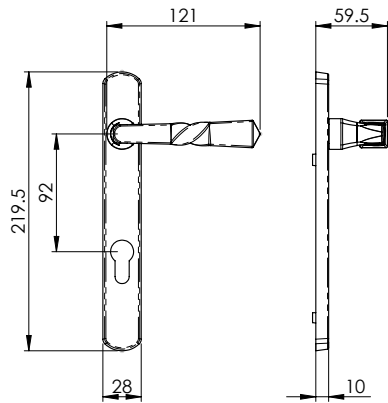
Ludlow Black Antique

- Period crafted furniture
- Made using traditional manufacturing techniques
- Perfect for creating an authentic country look and feel
- Ideal for cottages and barn conversions
- Complimentary range of window and door accessories



LF56NP92
Straight Narrow Backplate

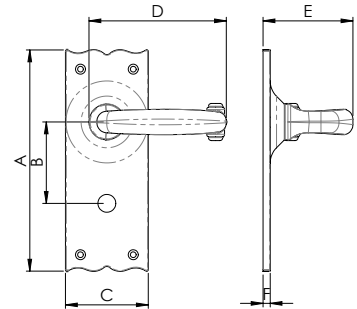
BA



LF5502
Traditional on Latch Backplate

BA

- LF5501** Lock
- LF5503** Bathroom
- LF5501Y** Euro



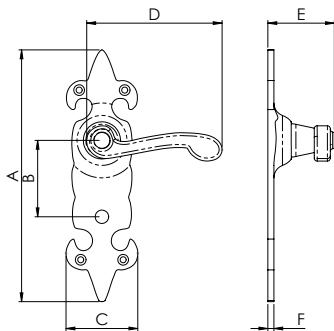
	A	B	C	D	E	F
LF5501	155	57	54	95	65	5
LF5501Y	155	47.5	54	95	65	5
LF5502	155	-	54	95	65	5
LF5503	155	57	54	95	65	5



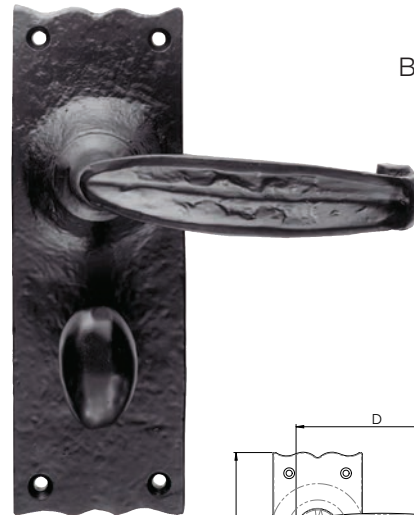
LF5505
Fleur de Lys on Latch Backplate

BA

- LF5504** Lock
- LF5506** Bathroom



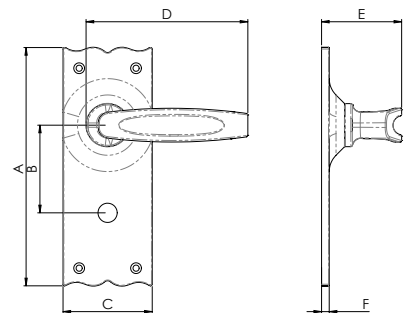
	A	B	C	D	E	F
LF5504	206	57	57	99	51	5
LF5505	206	-	57	99	51	5
LF5506	206	57	57	99	51	5



LF5518
Traditional V on Bathroom Backplate

BA

- LF5516** Lock
- LF5517** Latch



	A	B	C	D	E	F
LF5516	155	57	54	109	53	5
LF5517	155	-	54	109	53	5
LF5518	155	57	54	109	53	5



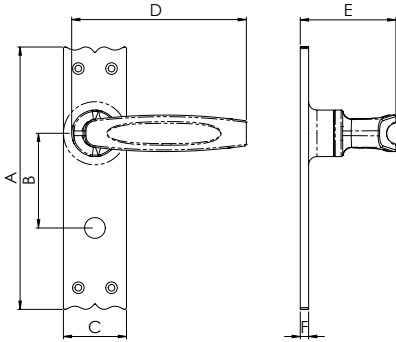
LF5507Y
Slimline V on Euro Profile Backplate



LF5507
Lock

LF5508
Latch

LF5509
Bathroom



	A	B	C	D	E	F
LF5507	156	57	38	109	57	5
LF5507Y	156	47.5	38	109	57	5
LF5508	156	-	38	109	57	5
LF5509	156	57	38	109	57	5

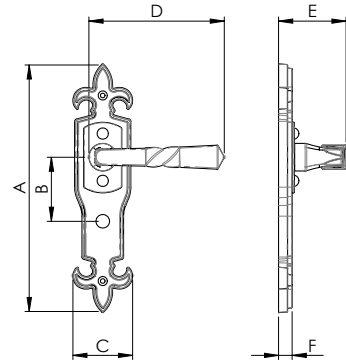


LF5114
Barley Twist on Gothic Latch Backplate



LF5113
Lock

LF5115
Bathroom



	A	B	C	D	E	F
LF5113	226	57	50	119	61	10
LF5114	226	-	50	119	61	10
LF5115	226	57	50	119	61	10

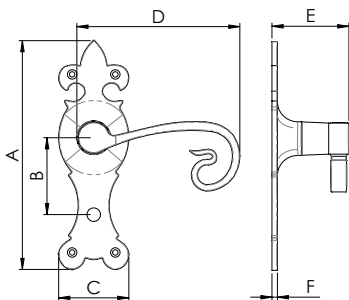


LF5116
Curly Tail on Lock Profile Backplate



LF5117
Latch

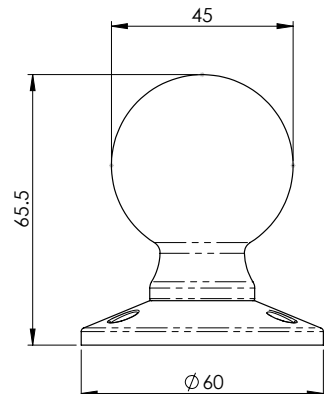
LF5118
Bathroom



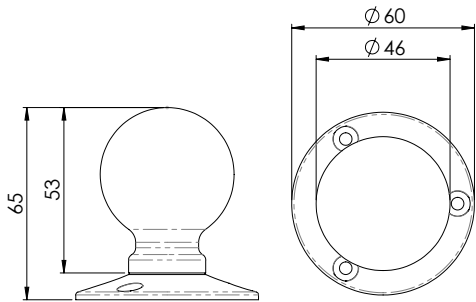
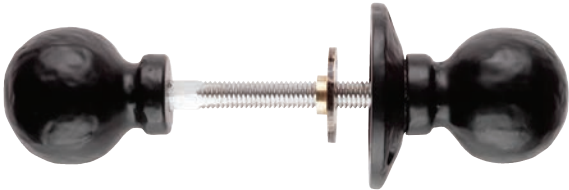
	A	B	C	D	E	F
LF5116	167	57	51	130	55	5
LF5117	167	-	51	130	55	5
LF5118	167	57	51	130	55	5



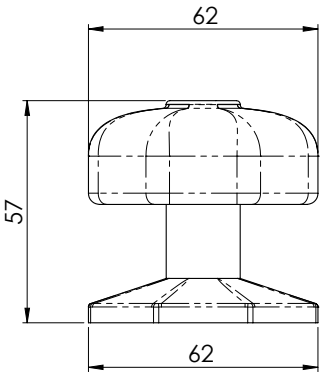
LF5594
Ball Mortice Knob Half Sprung



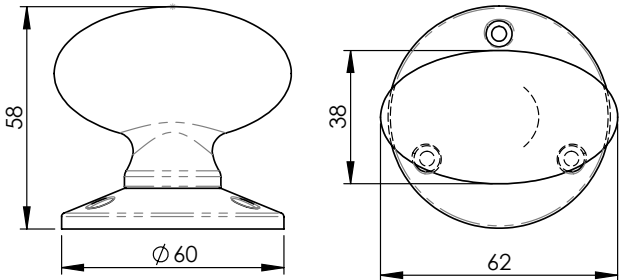
LF5594R
Ball Rim Knob



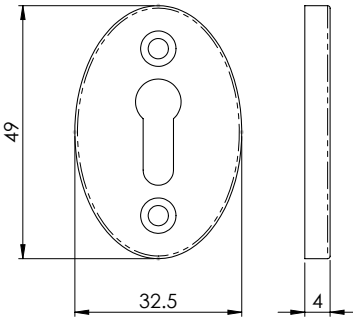
LF5550
Octagonal Centre Door Knob



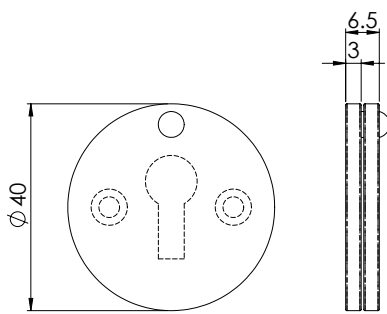
LF5595
Oval Mortice Knob
Half Sprung



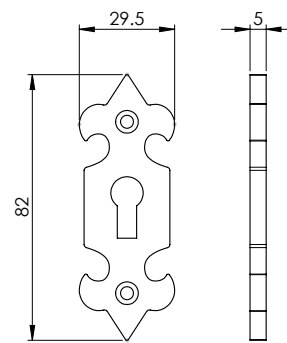
LF5539U
Lock Escutcheon on
Oval Shape Escutcheon



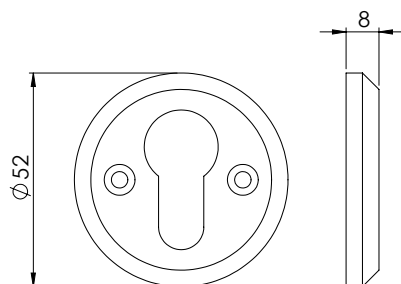
LF5546
Lock Covered Escutcheon



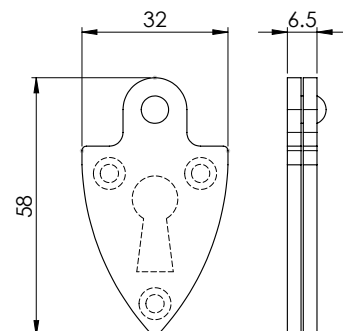
LF5532
Fleur De Lys Escutcheon



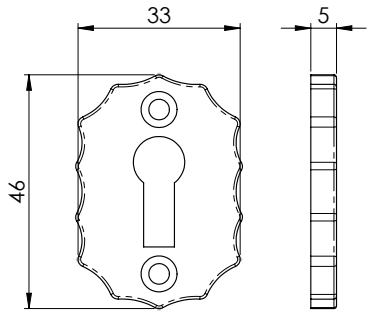
LF5539
Euro Escutcheon



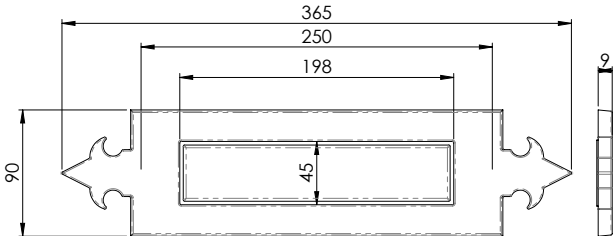
LF5533
Shield Covered Escutcheon



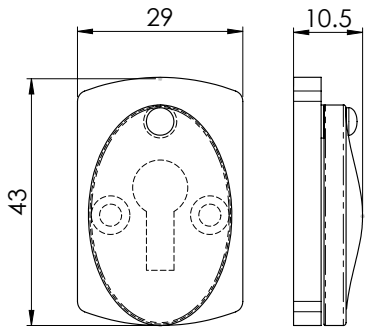
LF5531
Floral Escutcheon



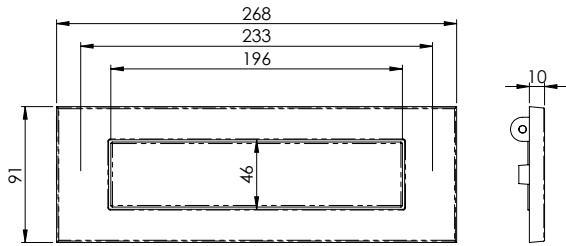
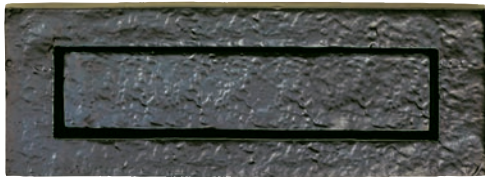
LF5525
Fleur De Lys Letter PLate



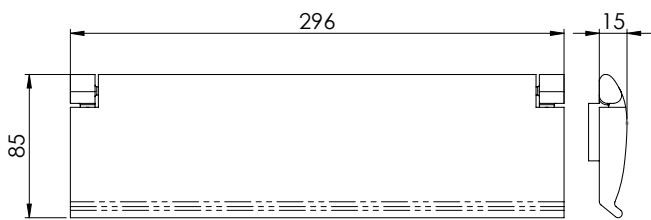
LF5538
Plaque Covered Escutcheon



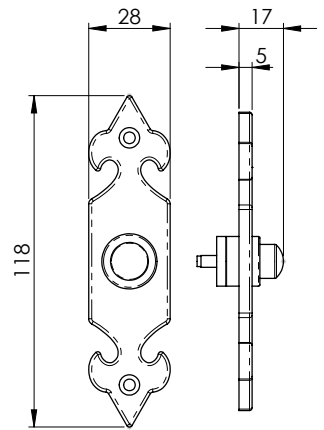
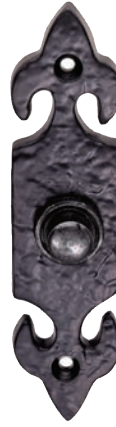
LF5524
Traditional Letter Plate



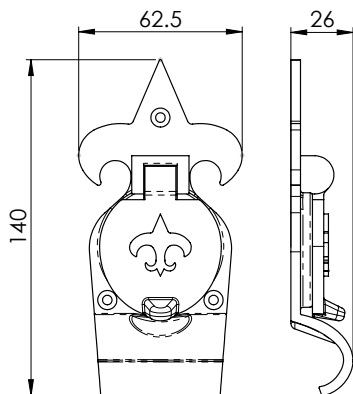
AA55BA
Letter Tidy



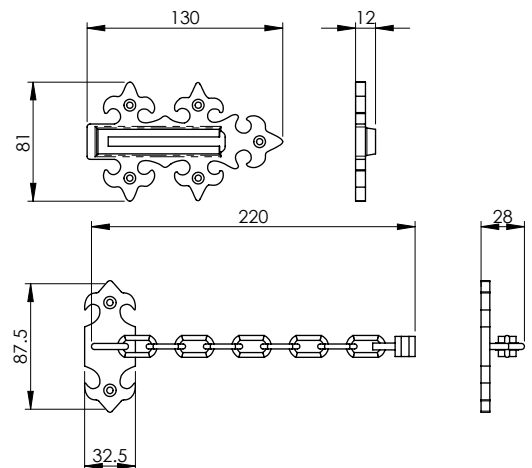
LF5534
Fleur De Lys Bell Push



LF5543
Fleur De Lys
Rim Cylinder Pull



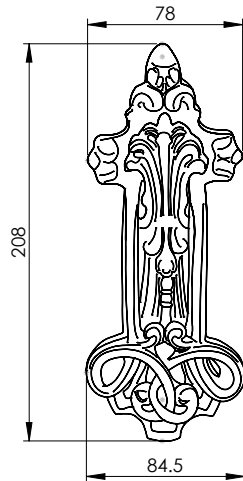
LF5536
Door Chain





LF5591
Ornate Door Knocker

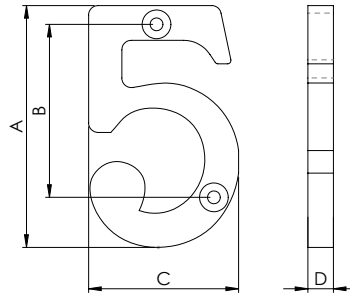
BA



LF55495
Numeral 5

BA

- LF55490**
0
- LF55491**
1
- LF55492**
2
- LF55493**
3
- LF55494**
4
- LF55495**
5
- LF55496**
6/9
- LF55497**
7
- LF55498**
8

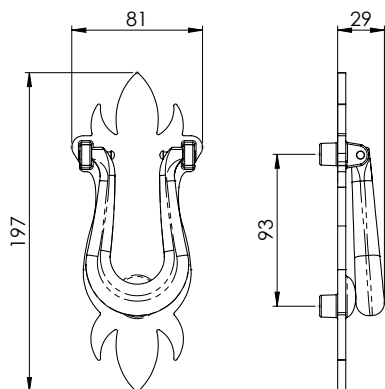


	A	B	C	D
LF55490	76	38	50	8
LF55491	76.5	50	34	8.5
LF55492	78	46	48.5	7.5
LF55493	80	57	53.5	7
LF55494	78	46	59	7
LF55495	78	54.5	48.5	8
LF55496	79	67	51	8
LF55497	79	59.5	61	8
LF55498	76	45	48	7



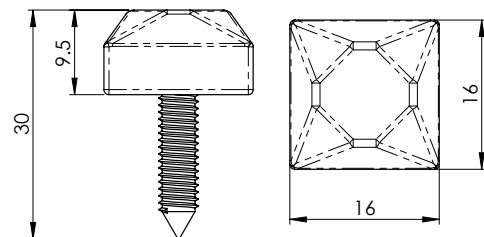
LF5592
Door Knocker

BA

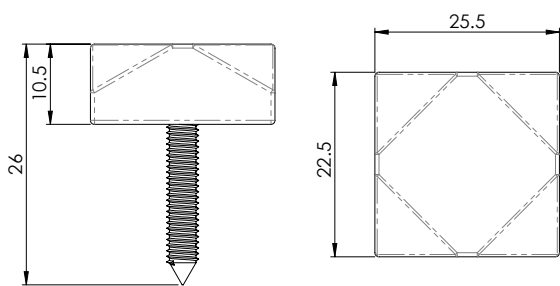


LF55102
Door Stud

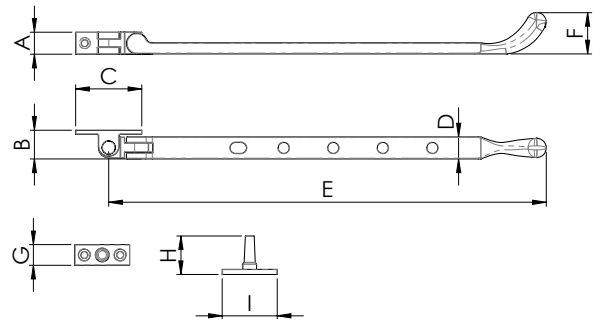
BA



LF55103
Door Stud Large

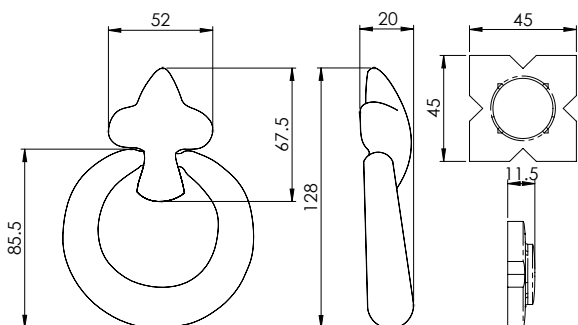


LF5544B
LF5544C
Bulb End Casement Stay

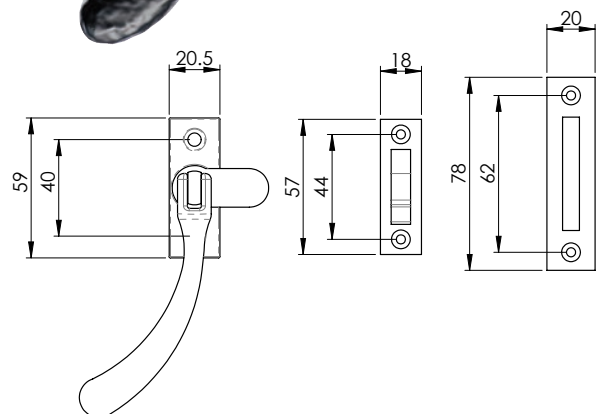


	A	B	C	D	E	F	G	H	I
LF5544B	18	23	55.5	16.5	238	28	18	25	52
LF5544C	18	23	55.5	16.5	295.5	28	18	25	52

LF5590
Ring Door Knocker



LF5545
Bulb End Casement Fastener

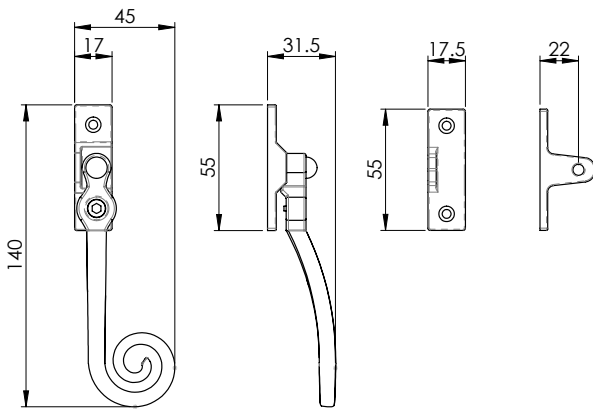




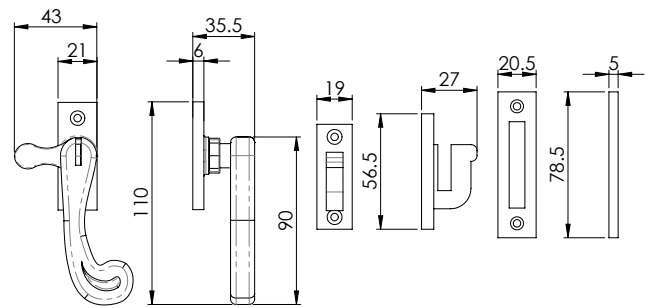
LF1006LH
Locking Casement Fastener
Left Hand



LF1006RH
Right Hand



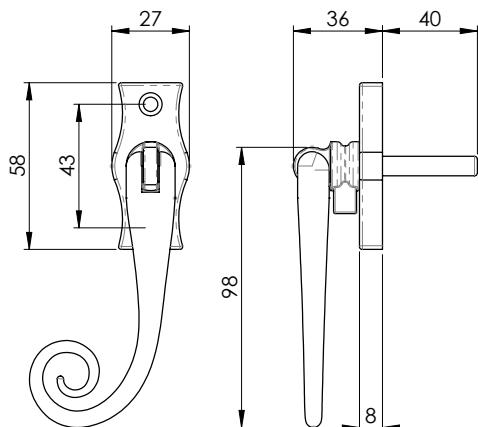
LF5537
Casement Fastener



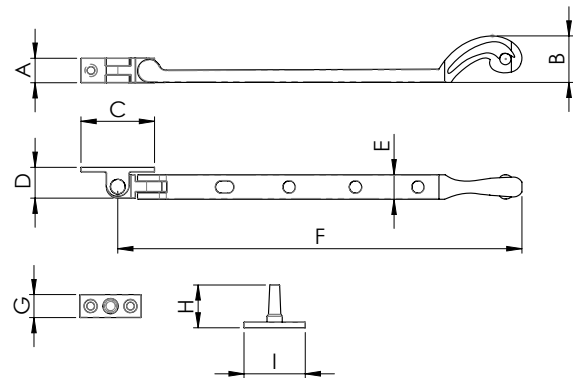
LF34LH
Locking Espagnolette Fastener
Left Hand



LF34RH
Right Hand

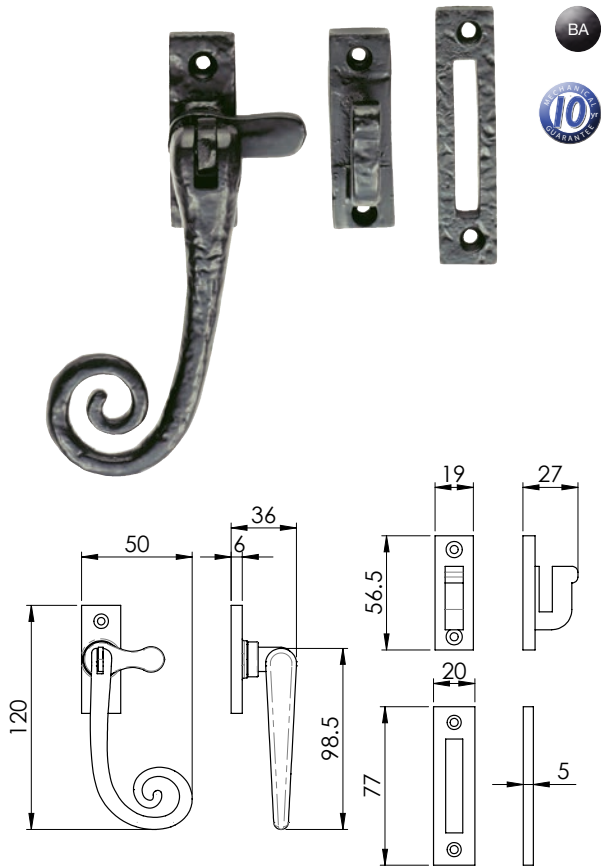


LF5540B
LF5540C
Casement Stay

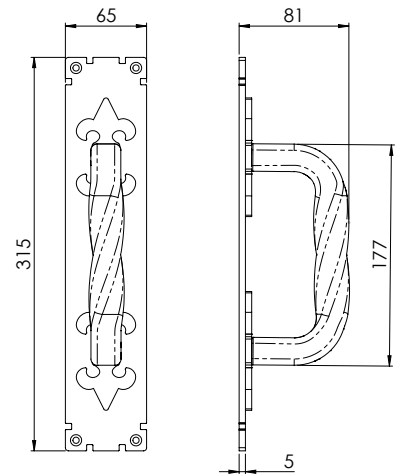


	A	B	C	D	E	F	G	H	I
LF5540B	18.5	31	55	23	19	273	18	25	52
LF5540C	18.5	31	55	23	19	299	18	25	52

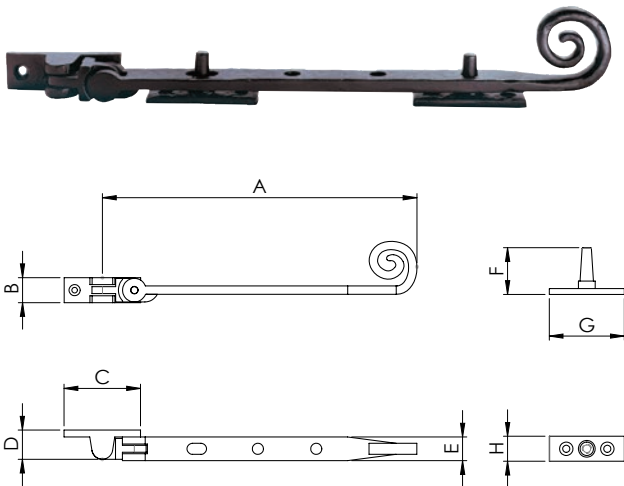
LF5542
Curly Tail Casement Fastener



LF5101
Barley Twist Pull Handle
on Backplate

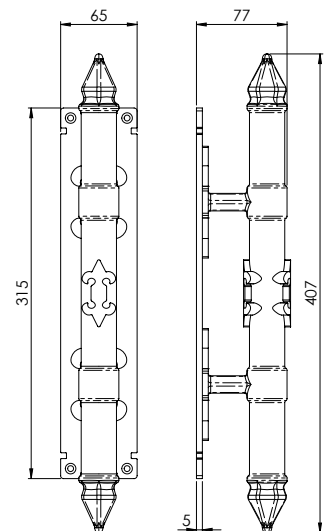


LF5541A
LF5541B
LF5541C
Curly Tail Casement Stay



	A	B	C	D	E	F	G	H
LF5541A	217	18	55.5	20	18.5	25	51.5	18.5
LF5541B	261	18	55.5	21	18.5	25	51.5	18.5
LF5541C	310	18	55.5	24	18.5	25	51.5	18.5

LF5103
Armorial Pull Handle
on Backplate

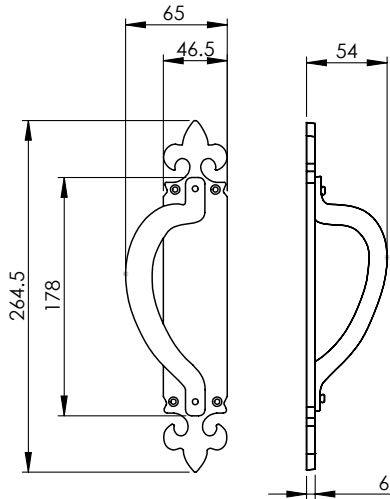




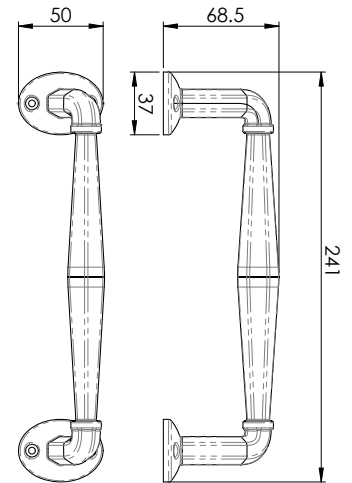
LF5260LH
Offset Pull Handle on Backplate
Left Hand



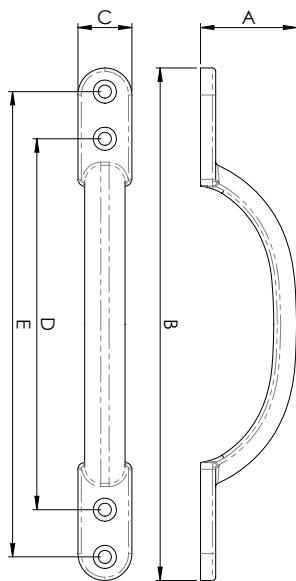
LF5260RH
Right Hand



LF5266
Offset Pull Handle on Rose



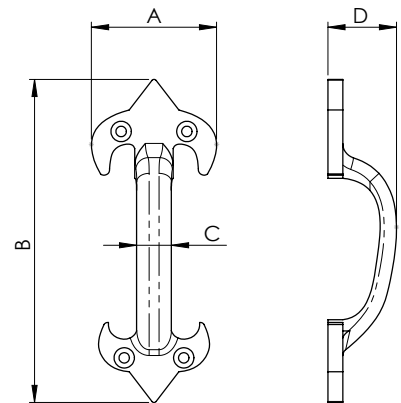
LF5575A
LF5575B
Hotbed Handle



	A	B	C	D	E
LF5575A	28.5	132	16	97	116
LF5575B	28.5	132	18	110	138



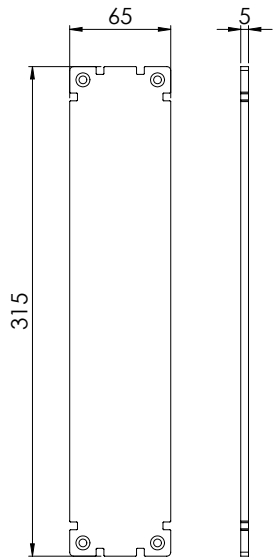
LF5574A
LF5574B
LF5574C
Pull Handle



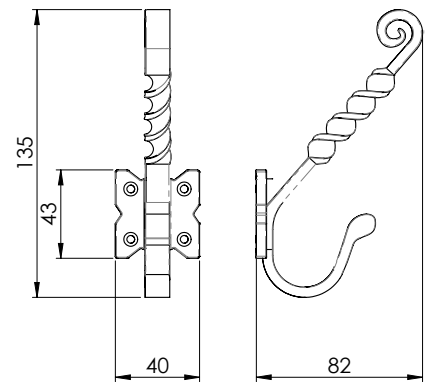
	A	B	C	D
LF5574A	50.5	130	14	28
LF5574B	52	177	17	32.5
LF5574C	52	230	20	38



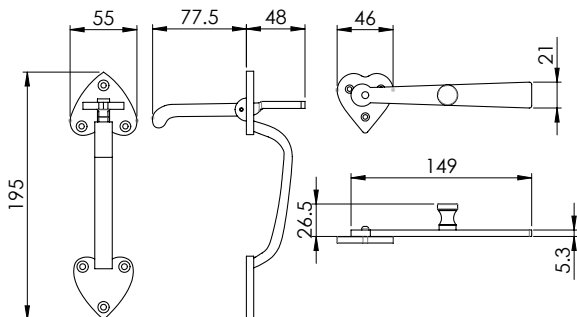
LF55101
Fingerplate



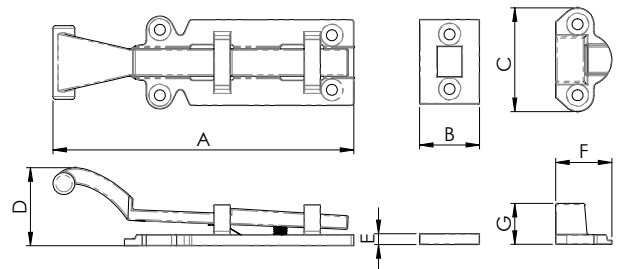
LF5526
Hat and Coat Hook



LF5535
Thumb Latch Set

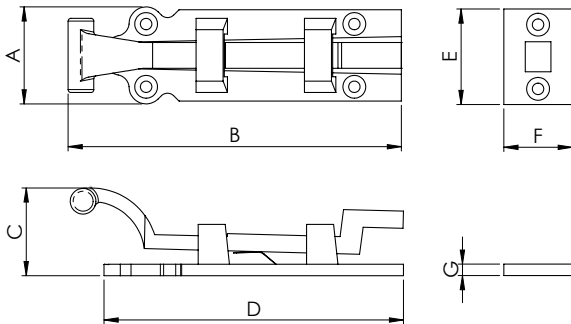


LF5530A
LF5530B
LF5530C
Straight Door Bolt
c/w Staple and Plate



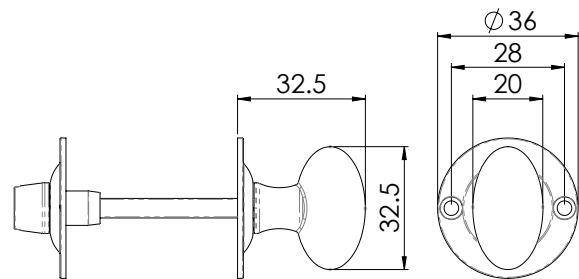
	A	B	C	D	E	F	G
LF5530A	108	20	37.5	28	3.5	22	15
LF5530B	152	20	37.5	28	3.5	22	15
LF5530C	201	20	37.5	28	3.5	22	15

**LF5563A
LF5563B
LF5563C**
Cranked Door Bolt

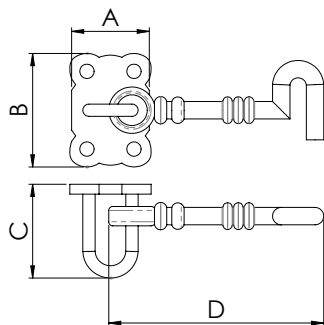


	A	B	C	D	E	F	G
LF5563A	28	105	35	116	31.5	22	4
LF5563B	35.5	150	46	160	40.5	24	5
LF5563C	38	213	51.5	213	50.5	28	5

AA133BA
Oval Thumbturn & Release

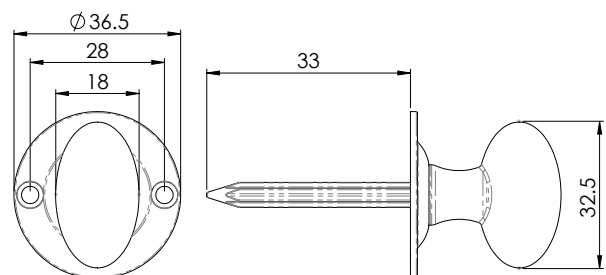


**LF5528A
LF5528B
LF5528C
LF5528D**
Cabin Hook

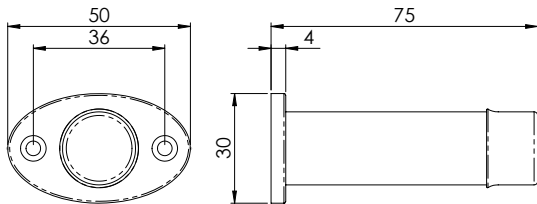


	A	B	C	D
LF5528A	38	56	42	105
LF5528B	38	56	42	155
LF5528C	38	56	42	205
LF5528D	38	56	42	308

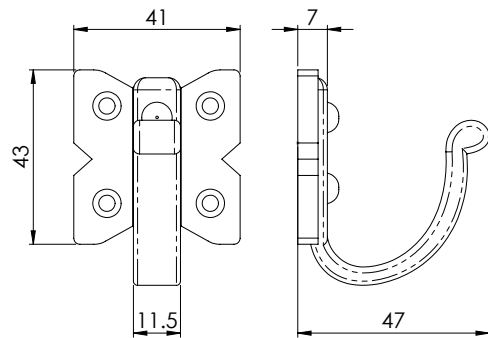
AA33BA
Oval Thumbturn
Splined spindle to operate rack bolt



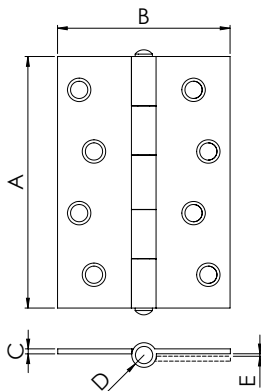
LF5130
Projection Door Stop



LF5527
Single Wardrobe Hook

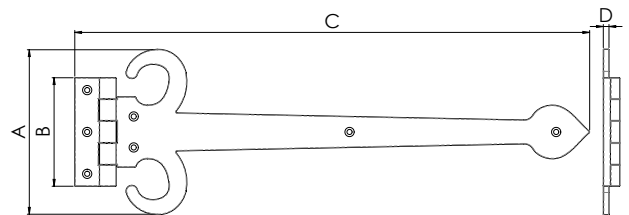


HINFP1PCB
HINFP4PCB
Fixed Pin Hinge



	A	B	C	D	E
HINFP1	75	50	1.5	3.5	0.5
HINFP4	102	72	2	5	1

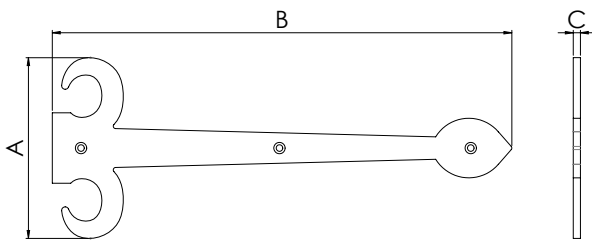
LF5519A
LF5519B
LF5519C
Sword Hinge



	A	B	C	D
LF5519A	140	102	352	6
LF5519B	148	104	430	6
LF5519C	158	104	505	6

LF5121
LF5122
LF5123
Sword Hinge Front

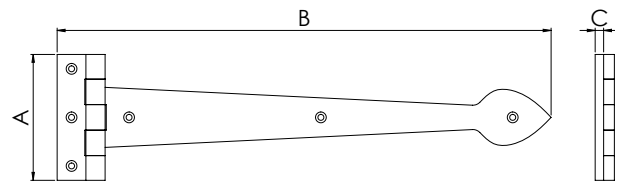
BA



	A	B	C
LF5121	140	305	6
LF5122	145	385	6
LF5123	160	465	6

LF5515
LF5515A
LF5515B
Tee Hinge

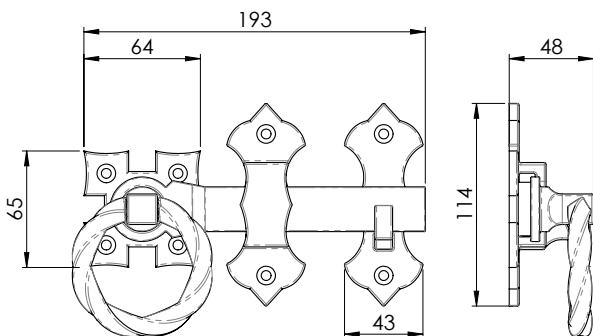
BA



	A	B	C
LF5515	102	305	6
LF5515A	104	410	6
LF5515B	104	465	6

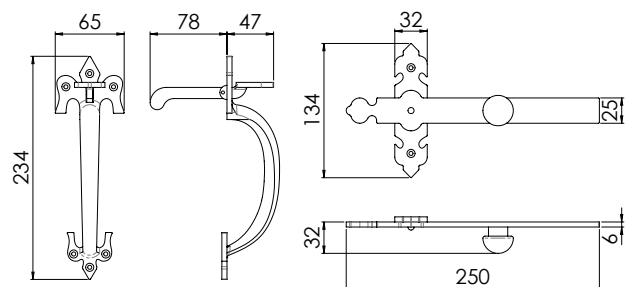
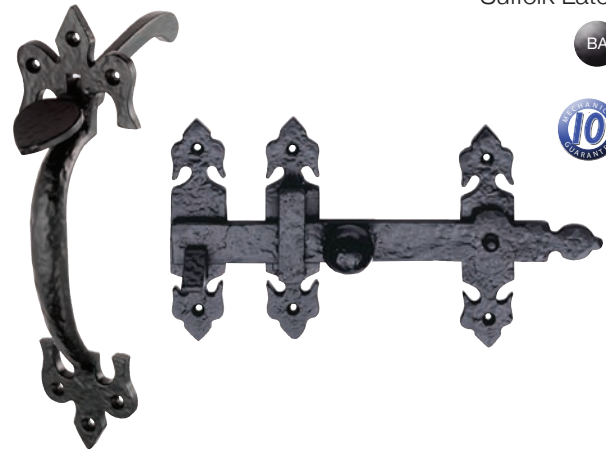
LF5547
Ring Handle Gate Latch

BA



LF5548
Suffolk Latch

BA





External Door Furniture

External Door Furniture

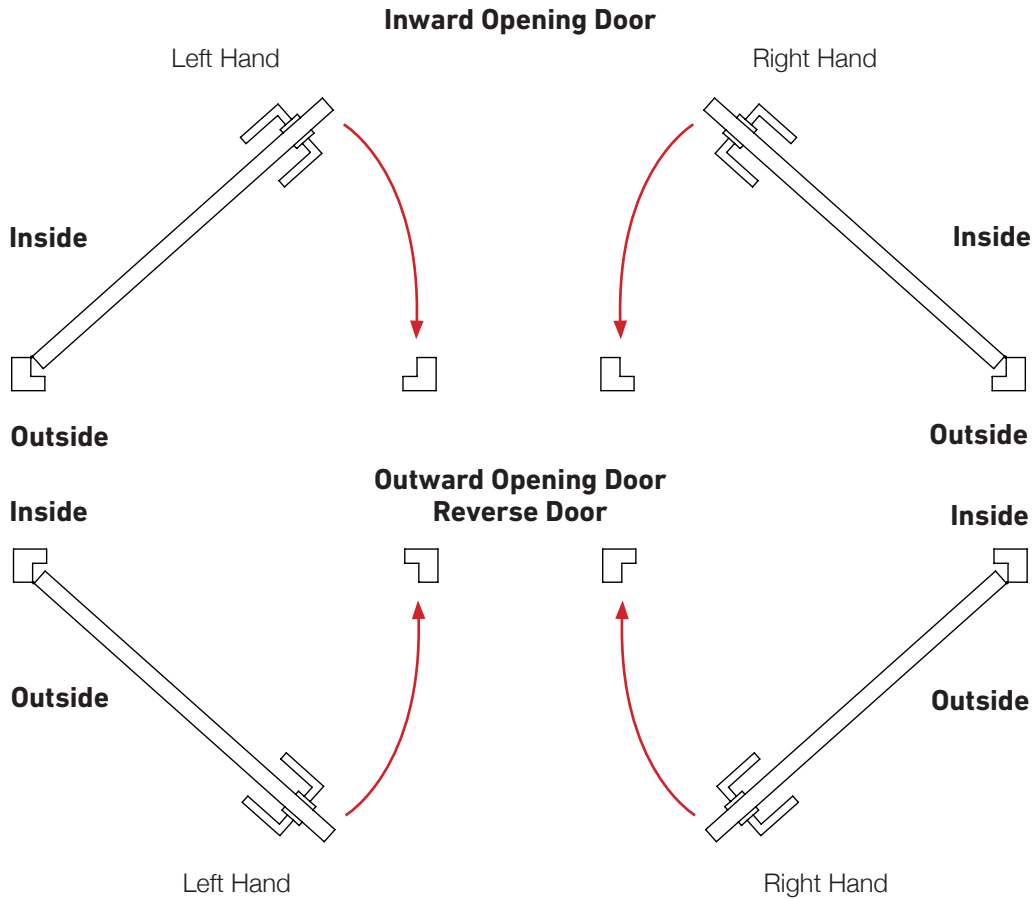
Our external door furniture range will create a welcoming appearance ◀

Full range of products for your front door ◀

Classic designs to suit all tastes ◀

Made to last using durable finishes whatever the weather ◀

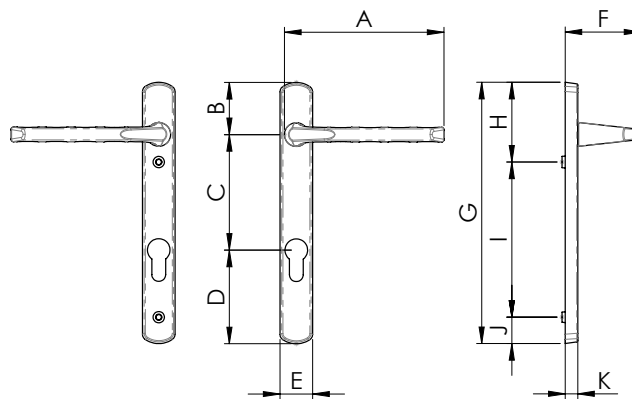
HOW TO DETERMINE THE HANDING OF A DOOR



M86NP92
Straight Narrow Backplate

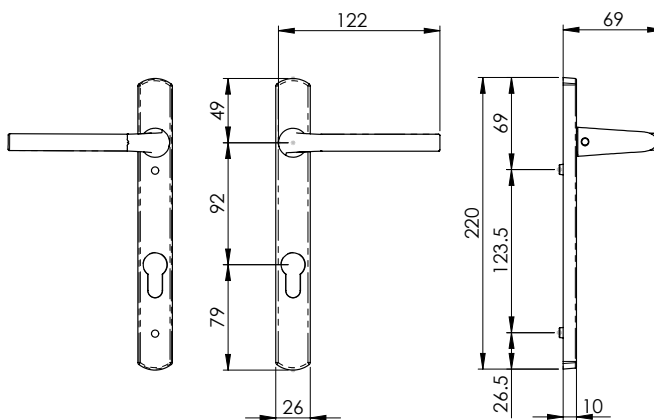
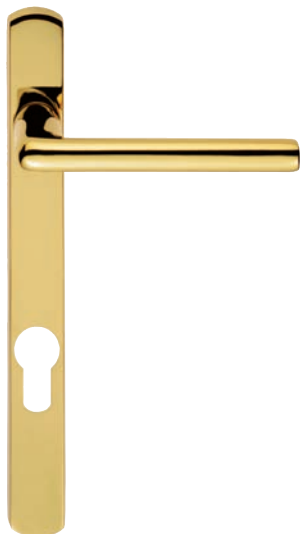


M86NP
70mm centres



	A	B	C	D	E	F	G	H	I	J	K
M86NP92	119	42	92	74	26	58	208	63.5	123.5	20.5	10
M86NP	119	76	70	62	26	61	208	14	180	14	10

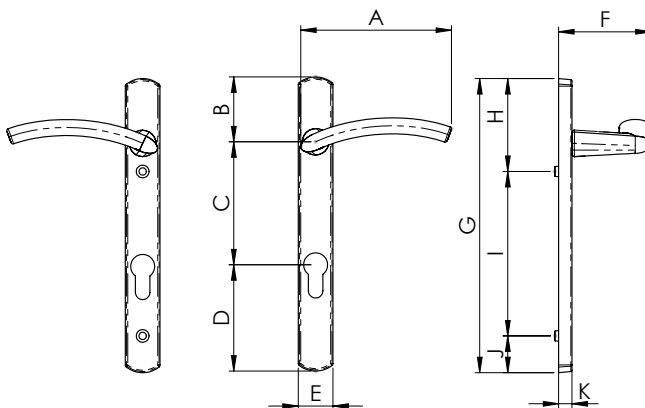
SZS01NP92
Rosa Narrow Backplate



SZS03NP92RH
Verde Narrow Backplate
Right Hand

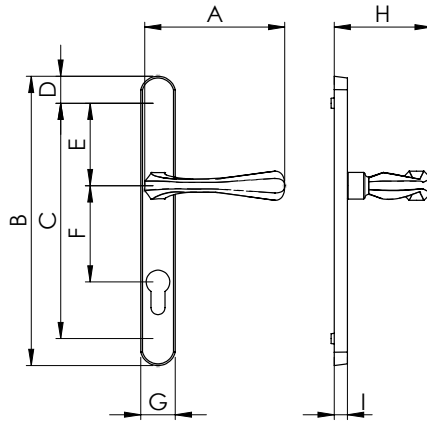


SZS03NP92LH
Left Hand



	A	B	C	D	E	F	G	H	I	J	K
SZS03NP92RH	113	49	92	79	26	68	220	69	124	27	10
SZS03NP92LH	113	49	92	79	26	68	220	69	124	27	10

AQ1NP
Astro on Narrow Backplate
70mm centres



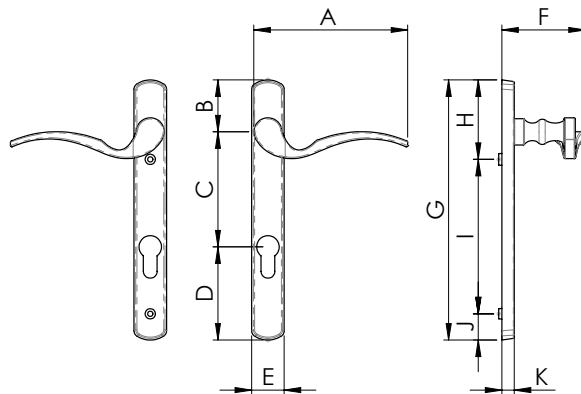
AQ1NP92
92mm centres



	A	B	C	D	E	F	G	H	I
AQ1NP	109	208	180	14	63	70	26	76	10
AQ1NP92	109	208	123	64	20.5	92	26	76	10

M140NP92RH
Scroll Narrow Backplate
Right Hand

M140NP92LH
Left Hand



M140NPRH (S)
Right Hand
70mm centres

M140NPLH (S)
Left Hand
70mm centres



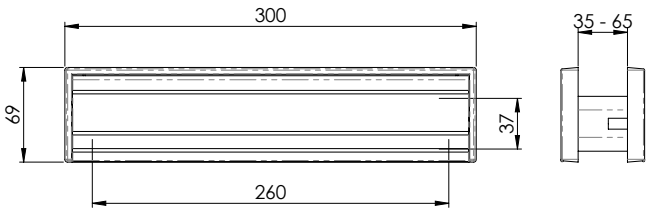
	A	B	C	D	E	F	G	H	I	J	K
M140NP92RH	118	43	92	73	26	75	208	64	122	20.5	10
M140NP92LH	118	43	92	73	26	75	208	64	122	20.5	10
M140NPRH	118	76	70	62	26	75	208	14	180	14	10
M140NPLH	118	76	70	62	26	75	208	14	180	14	10

External Door Furniture

SL2
Sleeve Letter Plate
To suit doors 35-65mm thick



SL1



Letter Tidy - Curved Pattern

AA52
AA53



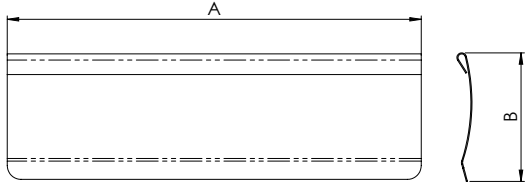
AA54



AA55



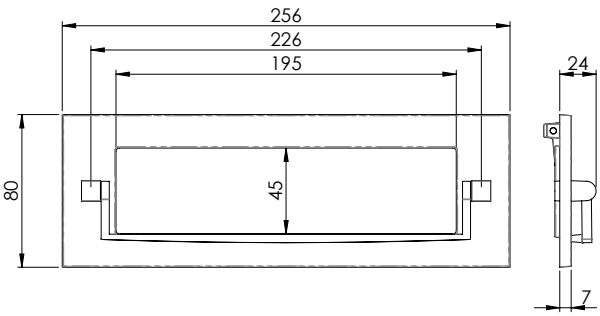
AA56



	A	B
AA52	300	93
AA53	280	78
AA54	280	76
AA55	275	82.5
AA56	355	127

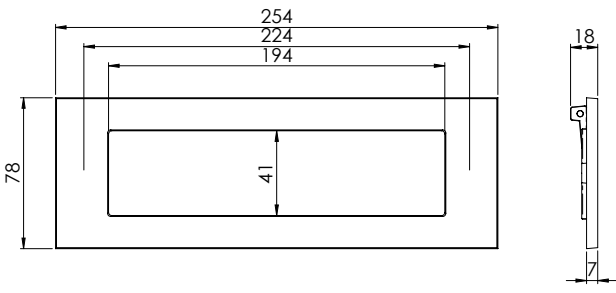
M78
Postal Knocker

CP **PB**



M36G
Plain Letter Plate - Gravity Flap

PB



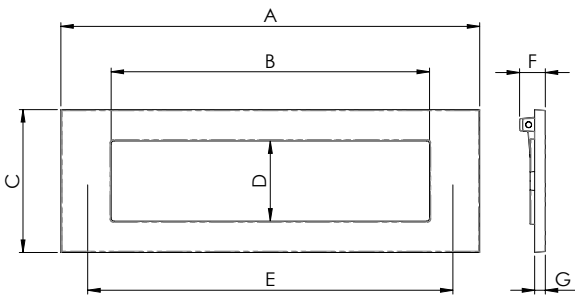
M36A
Plain Letter Plate



M36B
M36E
M36F

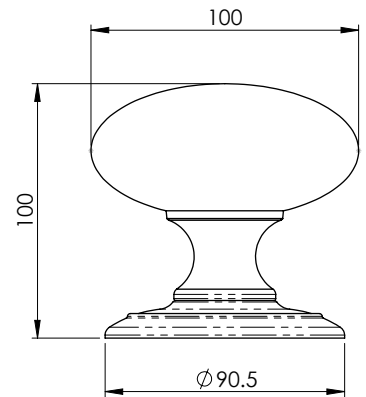


M36D
M36H
M36S

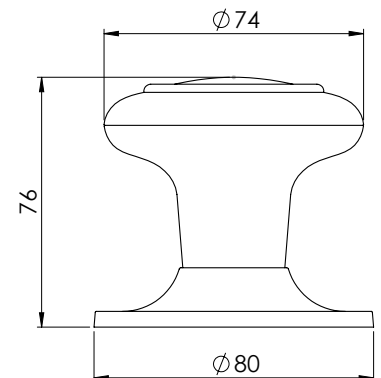


	A	B	C	D	E	F	G
M36A	253	194	77	42	224	13	5
M36B	277.5	210	95	53	241	19	7
M36D	305.5	249	104	60.5	275	17.5	7
M36E	358	283	113	63	325	16.5	7
M36F	405	320	125	70	360	20	8
M36H	282	229	80	50.5	258	16	6.5
M36S	255	184	80	40	219	18	8

AC055
Large Centre Door Knob

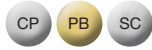


DL219
Centre Door Knob

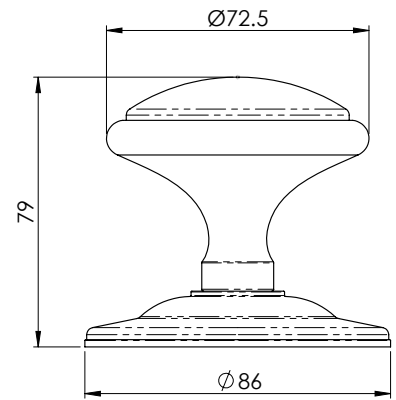
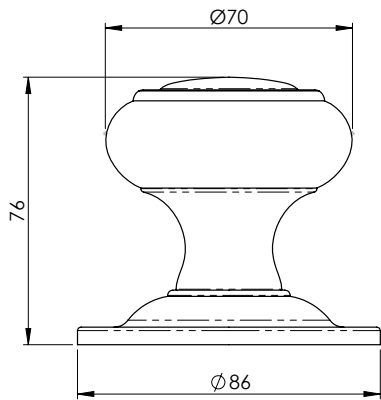




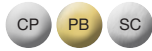
M51
Centre Door Knob



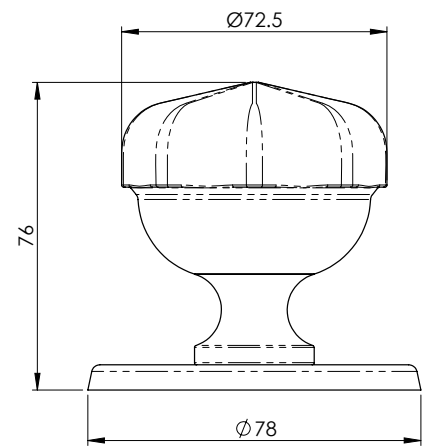
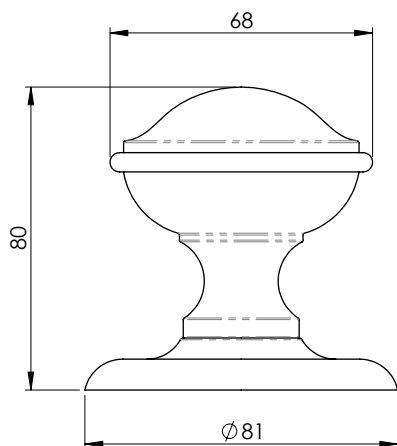
M61
Round Centre Door Knob



M60
Round Centre Door Knob

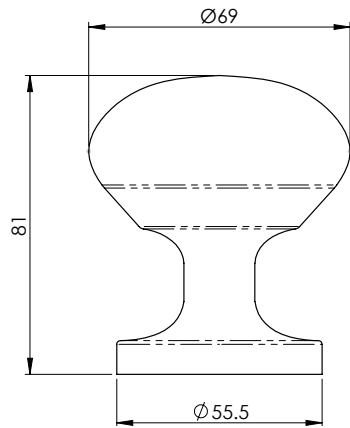


M219
Octagonal Centre Door Knob

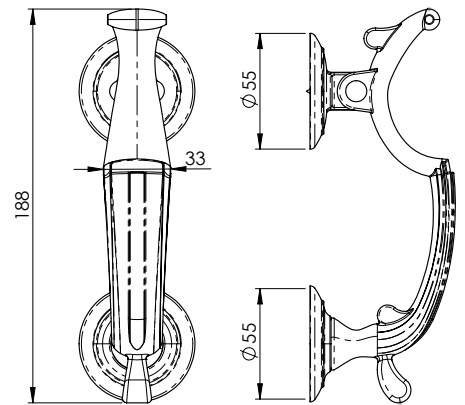




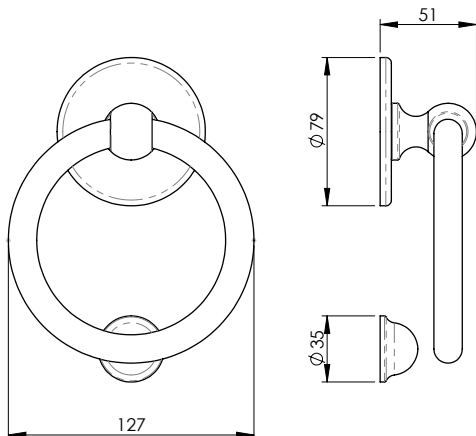
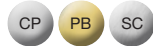
M220
Easy Centre Door Knob



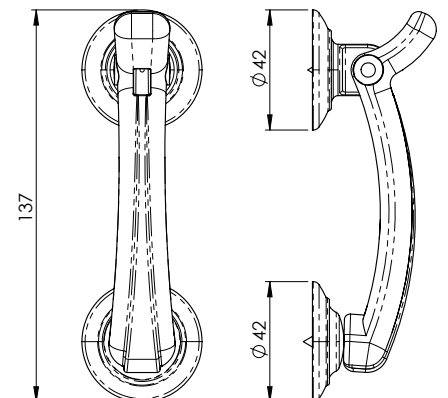
M45
Doctor Knocker



M37
Ring Door Knocker

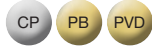


M43
Door Knocker on Rose

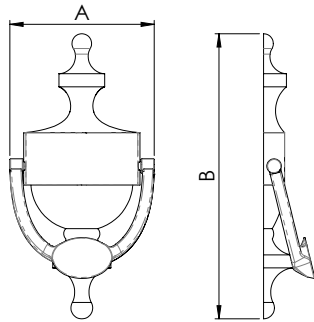
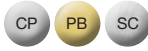




M38B
Victorian Urn Door Knocker



M38S

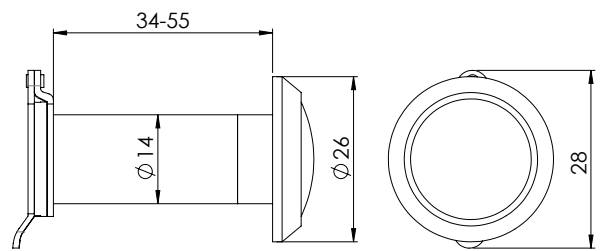


	A	B
M38B	99	196
M38S	77	152.5

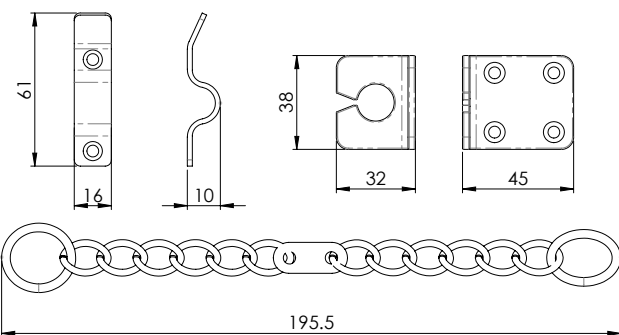
AA76
Door Viewer
Suits Doors 34-54mm
Plastic Lens



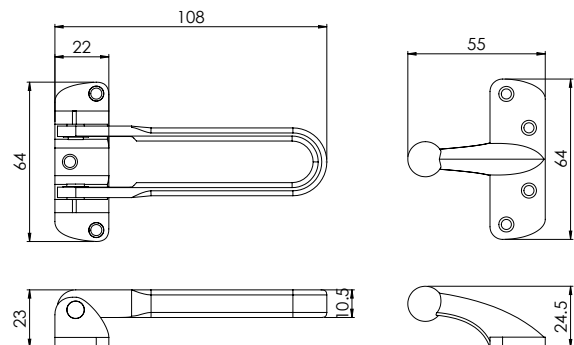
AA77
Door Viewer
Glass Lens FD30
Intumescent kit
required to be
FD30 compliant



AA75
Heavy Door Chain

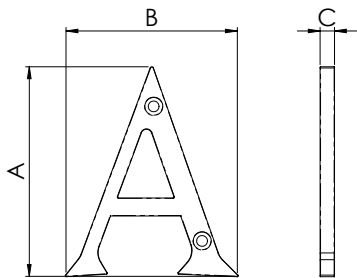
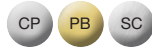


SDG4001
Wall Mounted Door Stop





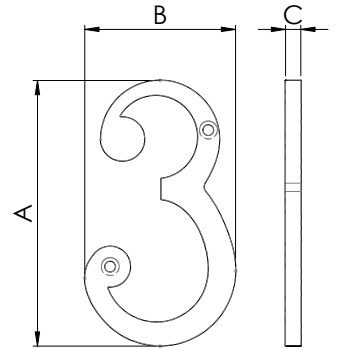
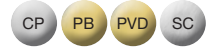
Letter A



	A	B	C
NA	52.5	43.5	4.5
NB	53.5	40	4.5
NC	52	48	4.5
ND	52.5	44	4.5

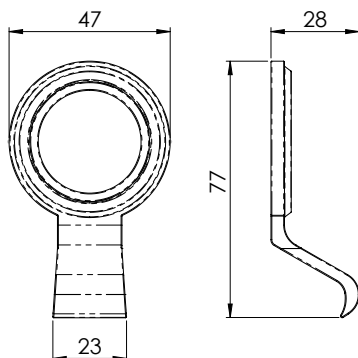
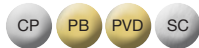


Numeral 3

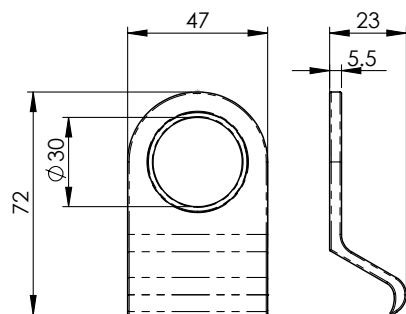


	A	B	C
N0	75	46	4
N1	73	15.5	4
N2	75	42	4
N3	75	43	4
N4	75	53	4
N5	73	41	4
N6/9	74	42	4
N7	73	41	4
N8	75.5	43	4

AQ40
Architectural Quality
Cylinder Pull

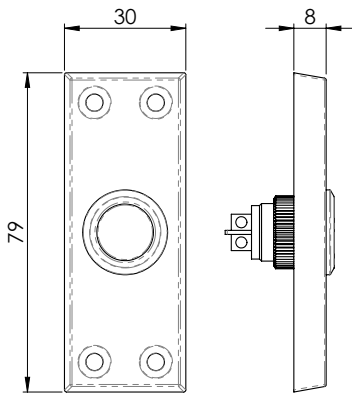


M40
Cylinder Latch Pull

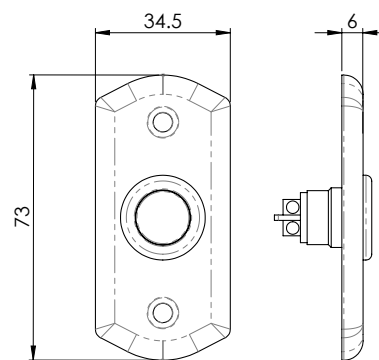




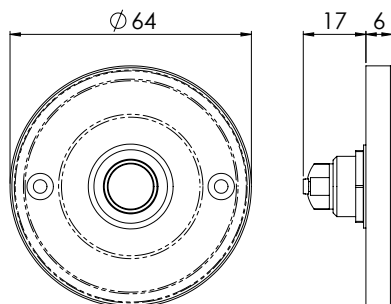
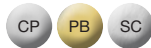
AA31
Bell Push



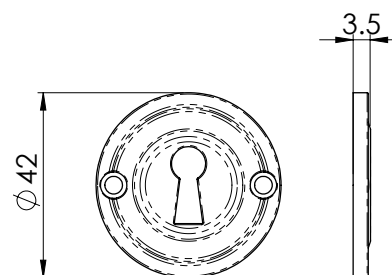
AQ31
Bell Push



AQ30
Round Bell Push



AQ41
Escutcheon



M44S



Window Fittings

Window Fittings

Traditional and modern window fittings for sash and casement applications ◀

Suited products and finishes throughout the range ◀

Products available for weather stripped and UPVC frames ◀



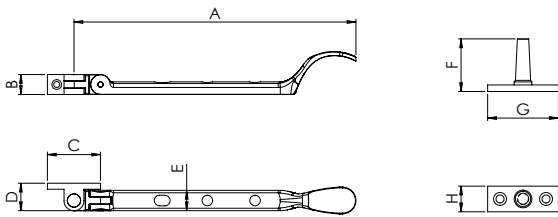
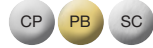
M44S
Victorian Casement Stay 254mm



M44C
202mm



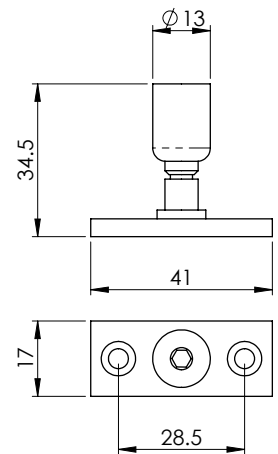
M44B
305mm



	A	B	C	D	E	F	G	H
M44C	205	14	41	19	15	28	40	15
M44S	265	14	41	19	15	28	40	15
M44B	305	14	41	19	15	28	40	15



WF17
Locking Casement Stay Pin



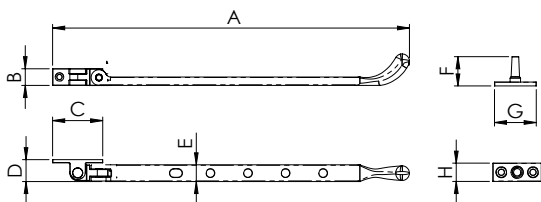
WF12S
Bulb End Casement Stay 253mm



WF12C
203mm



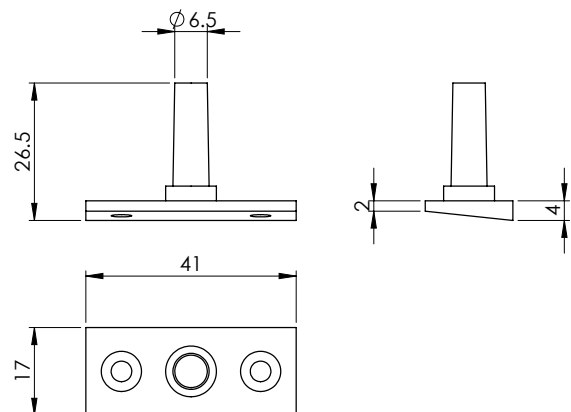
WF12B
305mm



	A	B	C	D	E	F	G	H
WF12B	315	16	48	20	15	28	40	15
WF12C	225	16	48	20	15	28	40	15
WF12S	265	16	48	20	15	28	40	15



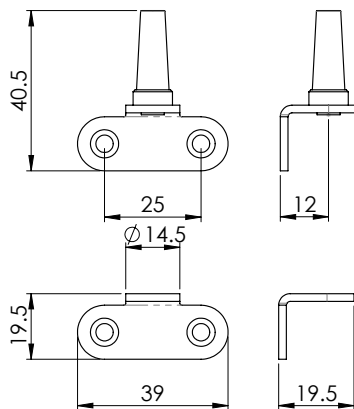
WF15
Ejma Pin
9° Bevel for EJMA Windows





WF14
Pin for Flush Fitting Casement

- CP
- PB
- SC



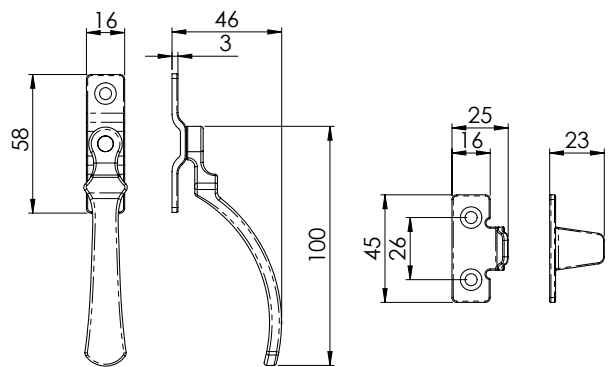
V1005
Casement Fastener
Wedge Pattern
(Not Suitable for Weather
Stripped Windows)

- CP
- PB
- SC



V1005LCK
Locking Casement Fastener

- CP
- PB
- SC
- SN



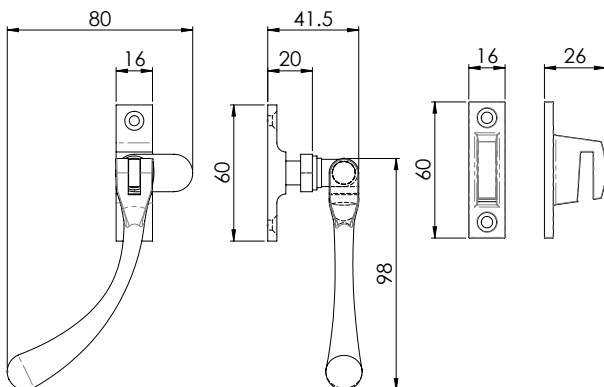
WF11
Bulb End Casement Fastener
Both Hook and Mortice Plate
(Suitable for Weather
Stripped Windows)

- CP
- FB
- PB
- SC
- SN



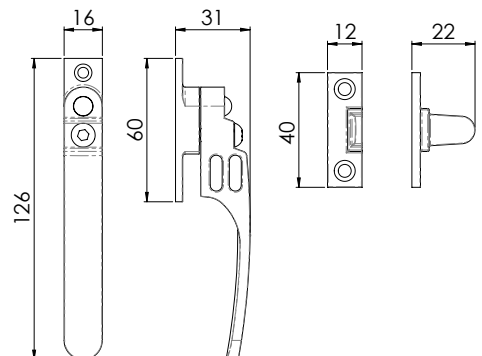
WF16
Mortice Plate Only
(Not suitable for Weather
Stripped Windows)

- CP
- FB
- PB
- SC



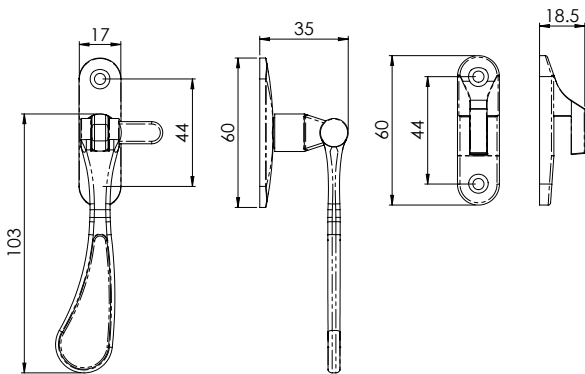
V1007LCK
Victorian Locking Casement
Fastener with Night Vent
(Suitable for Weather Stripped Windows)

- CP
- PB
- SC

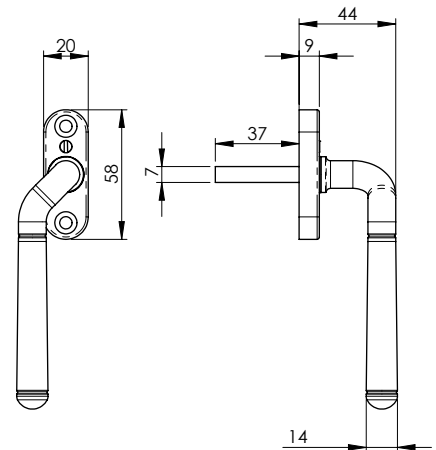




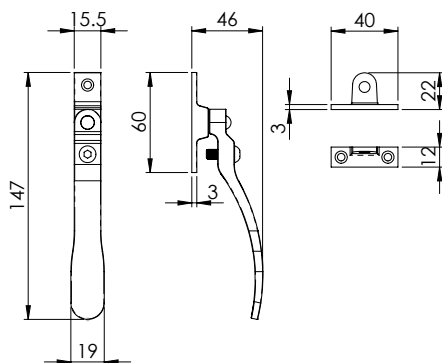
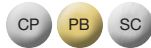
M73
 Reversible Casement Fastener
 Reversible Pattern
 Both Hook and Mortice Plate
 (Not suitable for Weather Stripped Windows)



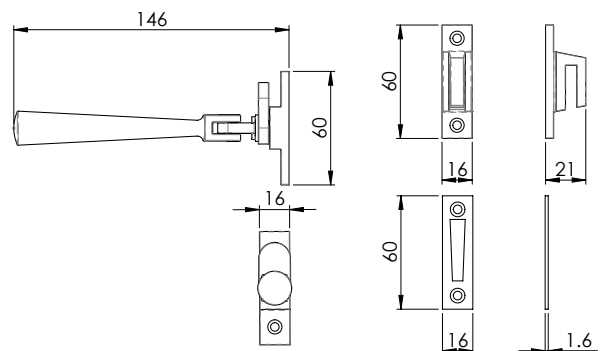
V1008LH
 Cranked Locking Espag Handle - Left Hand
V1008RH
 Right Hand
 (Suitable for Weather Stripped Windows)



V1006LCK
 Locking Casement Fastener
 Wedge Pattern Locking
 (Suitable for Weather Stripped Windows)

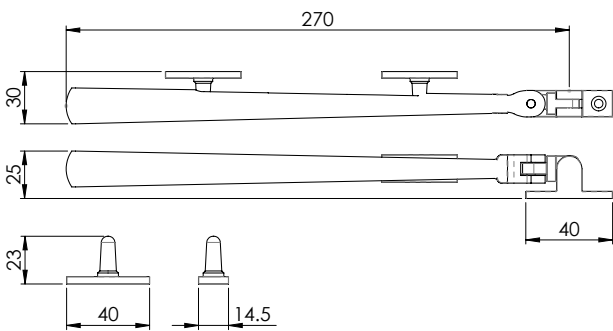


SZS73
 Casement Fastener
 (Not suitable for weather stripped windows)

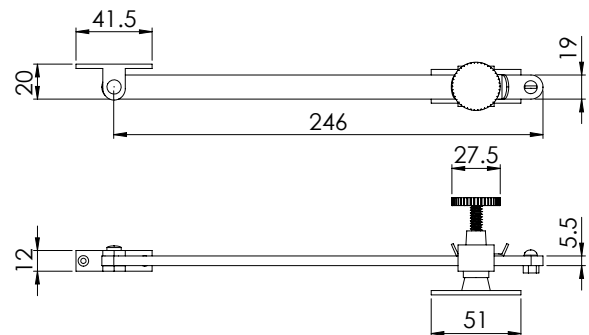




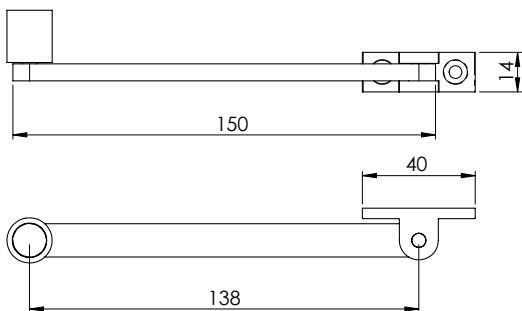
SZS44S
Casement Stay



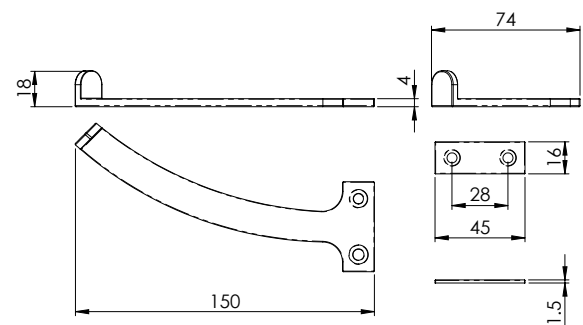
AA73
Screw Down Pattern Casement Stay



DK8
Roller Arm Stay

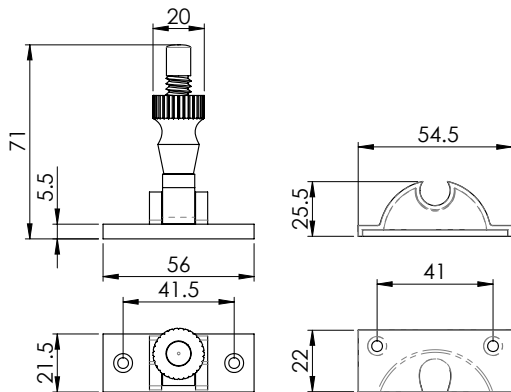
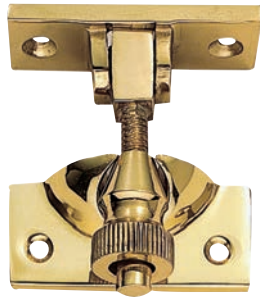


DK7
Quadrant Arm Stay

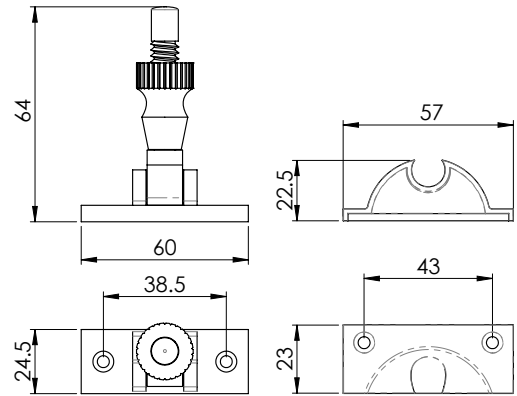
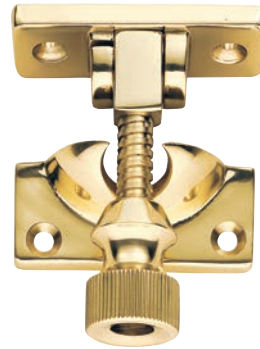




AA41
Brighton Pattern Sash Fastener

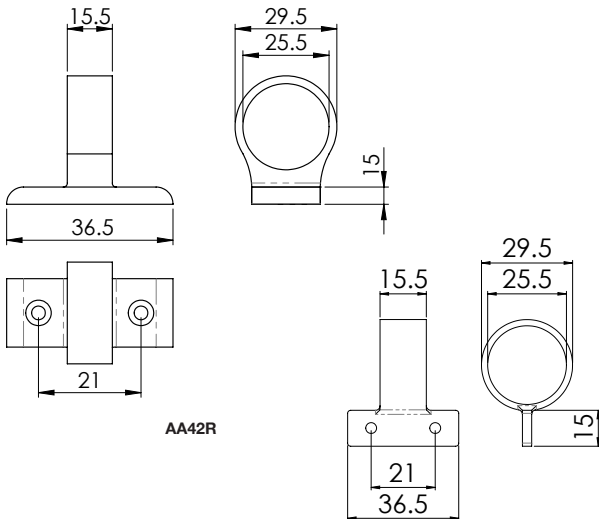
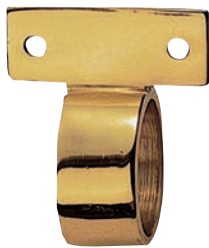
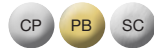


AQ43
Architectural Quality Brighton Sash Fastener

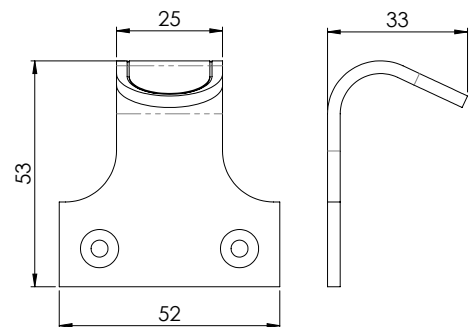


AA42R1
Ring Sash Lift Vertical Fix

AA42R
Horizontal Fix



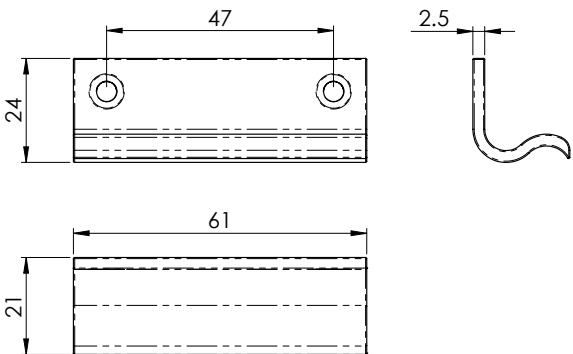
AQ42
Grooved Sash Lift





AQ50
Sash Window Lift

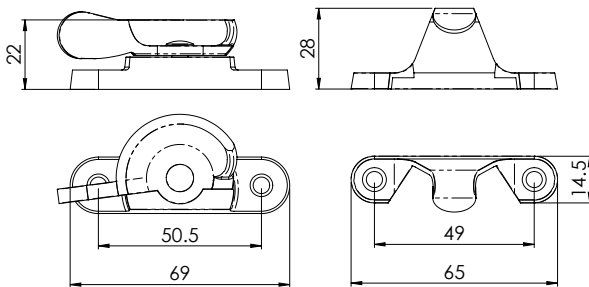
- CP
- PB**
- SC
- SN



AA40
Fitch Pattern Sash Fastener

AA40LCK
Locking Fitch Pattern Sash Fastener

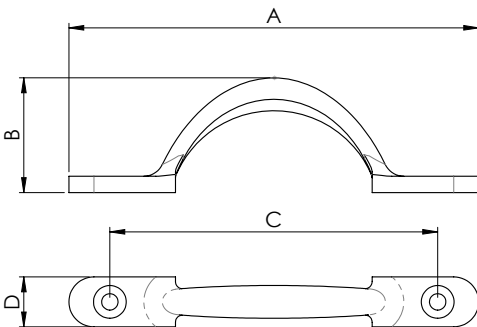
- CP
- PB**
- SC



AA96
Sash Handle 102mm

AA97
Sash Handle 152mm

- CP
- PB**
- SC

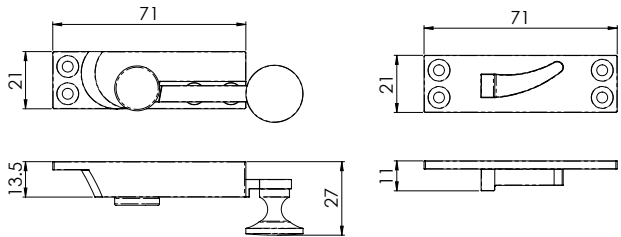


	A	B	C	D
AA96	102	27	73	12
AA97	157	32	134	13



AA39
Quadrant Arm Sash Fastener

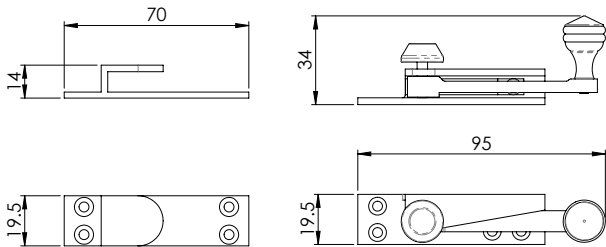
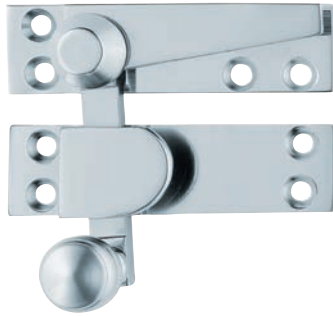
- PB**





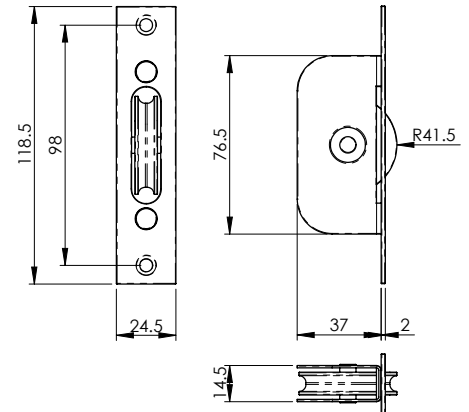
AQ39
Architectural Quality Quadrant
Sash Fastener

- CP
- PB**
- SC
- SN



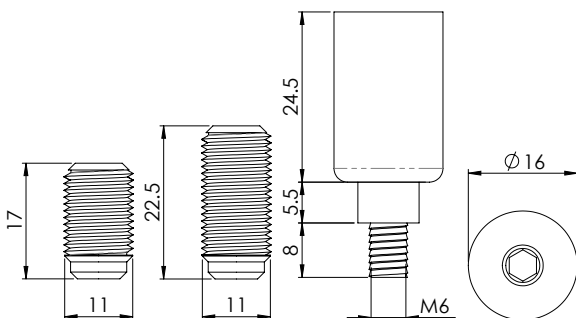
AQ91
Sash Window Axle Pulley
Galv Forend with Nylon Wheel

- GALV



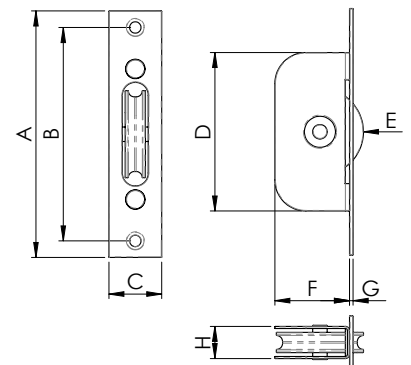
WF18
Sash Window Stop
Supplied with 2 stops and 2 ferrules

- CP
- PB**
- SC
- SN



AQ92
Sash Window Axle Pulley
Square Forend with Nylon Wheel

- CP
- PB**
- SC



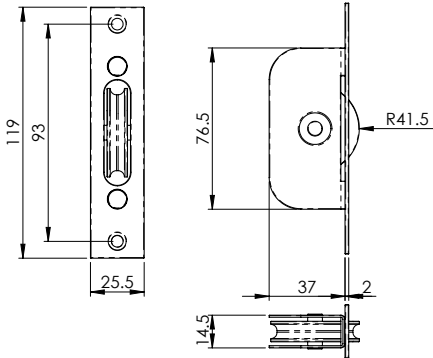
AQ96
Heavy Duty Radius Forend
with Brass Wheel

- CP
- PB**

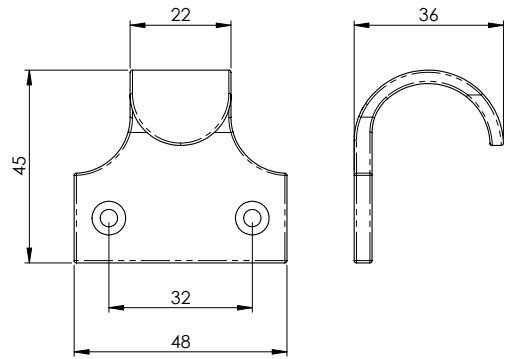
	A	B	C	D	E	F	G	H
AQ92	118	98	25.5	76	42	36	2	15.5
AQ96	127	108	28.5	83	50	48	3	21



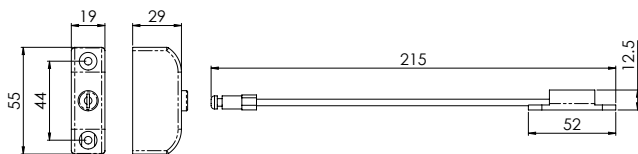
AQ93
Sash Window Axle Pulley
Square Forend with Brass Wheel



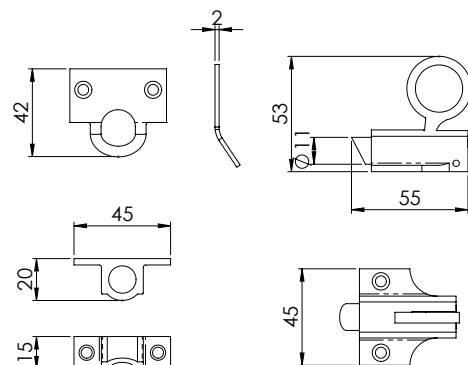
AA42
Sash Lift



AWR1200WHT
Window Restrictor



DK42
Fan Light Catch



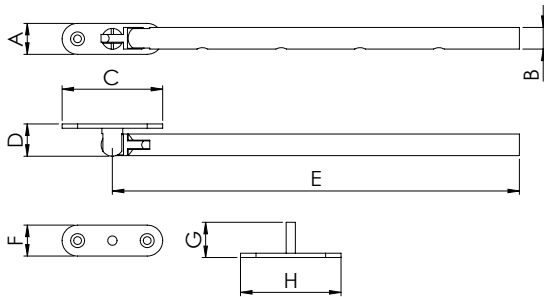


WF22
GRADE 316
Round Casement Stay

WF23

WF24

SSS



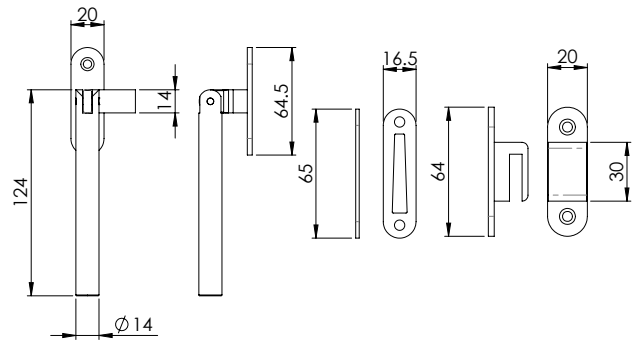
	A	B	C	D	E	F	G	H
WF22	20	14	65	21	263	20	23	64.5
WF23	20	14	65	21	213	20	23	64.5
WF24	20	14	65	21	315	20	23	64.5



WF21
GRADE 316
Round Casement Fastener
Complete with hook
plate and flat keep

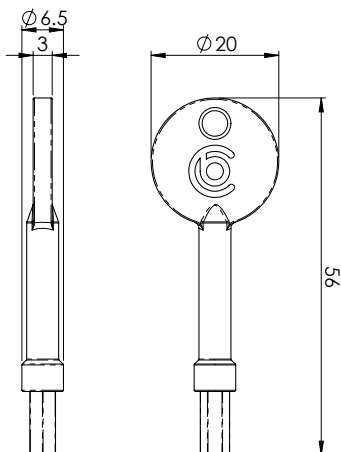
(Suitable for weather
stripped windows)

SSS



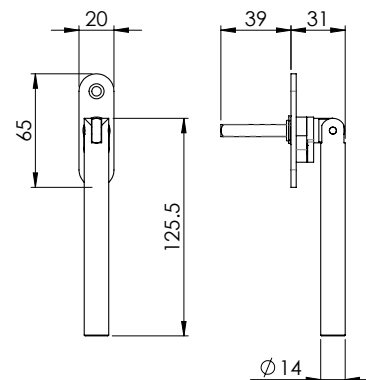
WFKEY/4MMCP
Key

CP



WF25
GRADE 316
Round Locking Espag Fastener

SSS



DSF3020CP



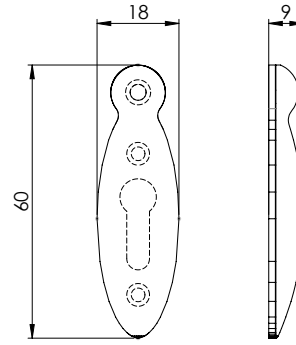
Accessories

Accessories

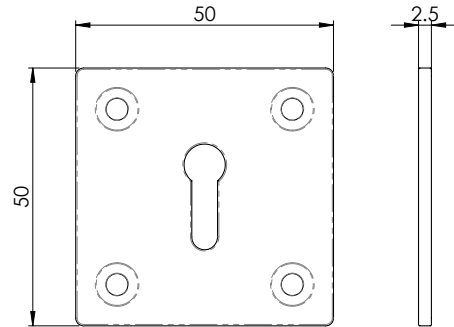
- > Complementary accessories to add the finishing touches to any home
- > A variety of products and finishes that co-ordinate and work alongside each of our ranges



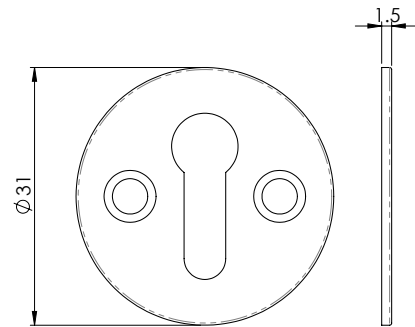
AQ45
Covered Peardrop
Escutcheon



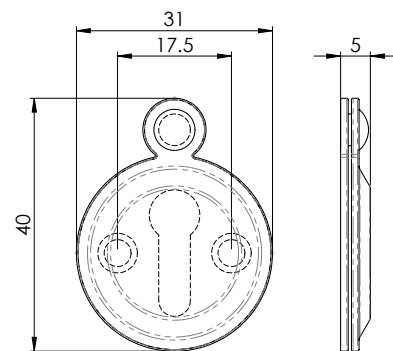
AA4
Square Escutcheon



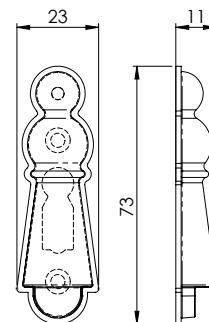
M41
Flat Escutcheon



M42
Covered Escutcheon

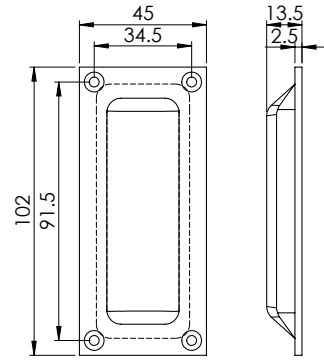


DK4
Large Covered Escutcheon





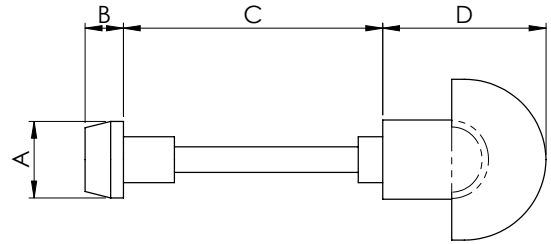
AQ90
Flush Pull



SP104
Spare Thumbturn & Release
(4.9x67mm) Spindle



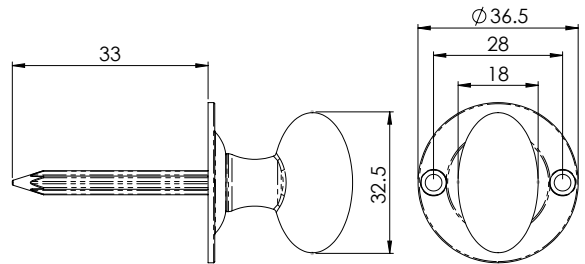
SP104L
(4.9x80mm)
Spindle



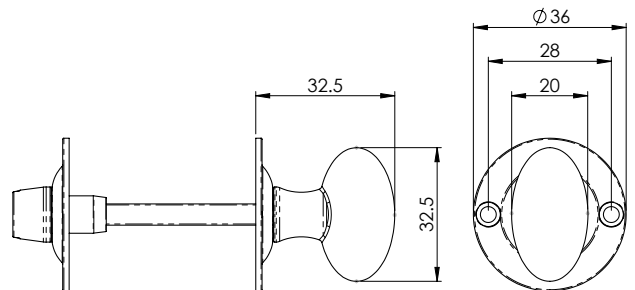
	A	B	C	D	E	F
SP104	15	7.5	50-70	32	7.5	31.5
SP104L	15	7.5	65-85	32	7.5	31.5



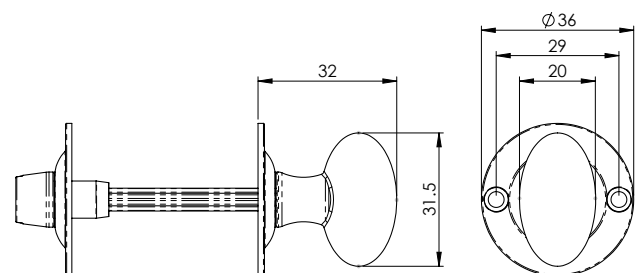
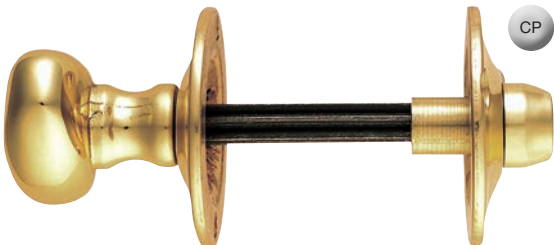
AA33
Oval Thumbturn
To Operate Rack Bolt
(Hardened Steel Spindle)



AA133
Oval Thumbturn & Release
(5mm Spindle for Bathroom Lock)



AA32
Oval Thumbturn & Release
(4.5x4.5mm Spline Spindle)



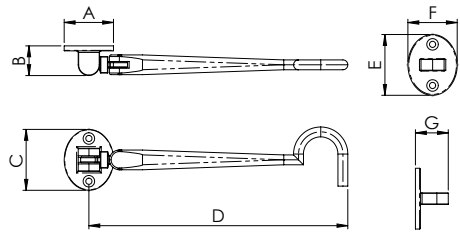


AA62
AA63
AA64
AA65

Heavyweight Silent Pattern Cabin Hook



AA61
Lightweight

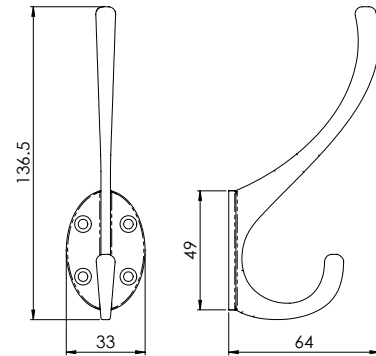
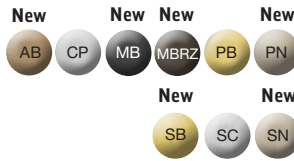


	A	B	C	D	E	F	G
AA61	23	16	35.5	97	35.5	23	17.5
AA62	30	19	36.5	154	36.5	30	20
AA63	30	19	36.5	196	36.5	30	20
AA64	32	20.5	40	245	40	32	22.5
AA65	32	20.5	40	300	40	32	22.5



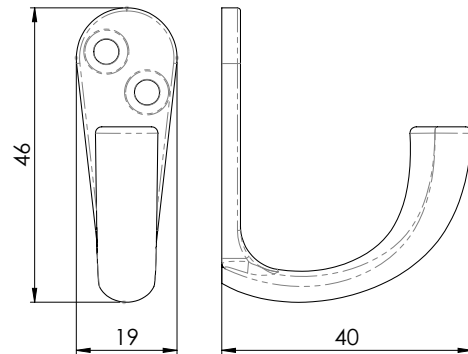
AA25

Hat & Coat Hook



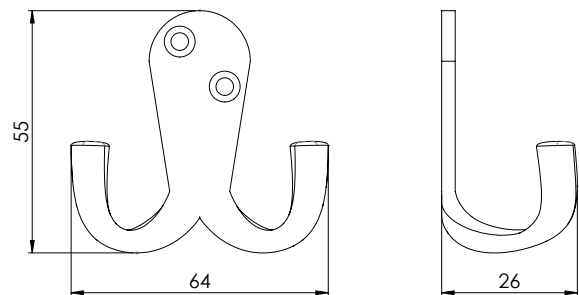
AA26

Victorian Robe Hook



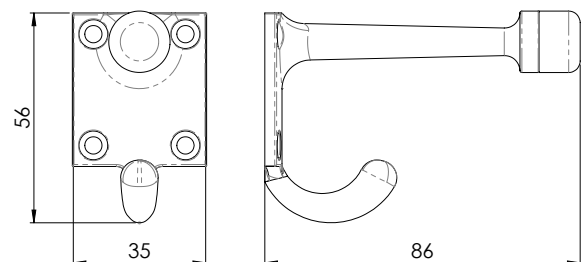
AA27

Victorian Double Robe Hook



AA38

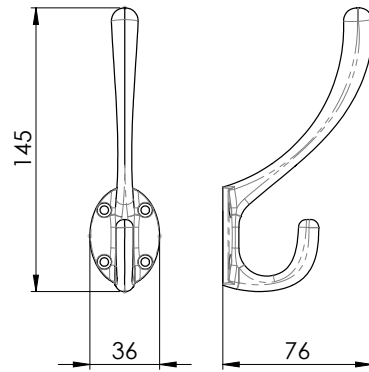
Hat & Coat Hook





AQ25
Heavy Hat & Coat Hook

- CP
- PB**
- SC

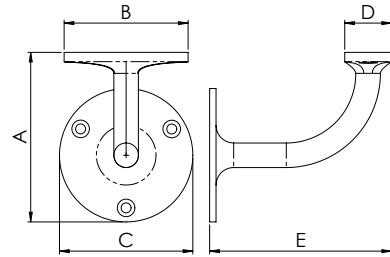


AA84
Heavy Handrail Bracket

- CP
- PB**
- SC

AA86
Heavy Handrail Bracket

- PB**

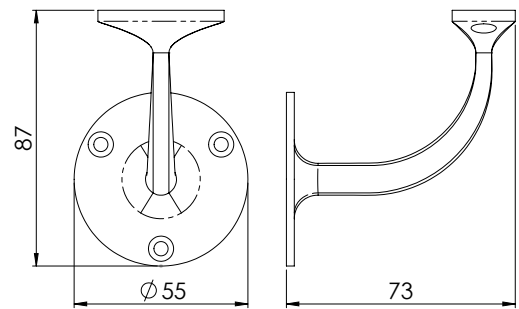


	A	B	C	D	E
AA84	72.5	53	56.5	19	80
AA86	79	55	56.5	19	91



AA85
Light Handrail Bracket

- CP
- PB**
- SC

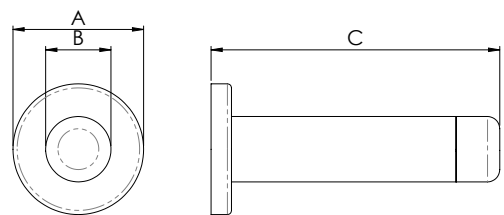


AA21
Door Stop with Rose

- New AB
- New MB
- New MBRZ
- New PB
- New SB

AA23

- PB**

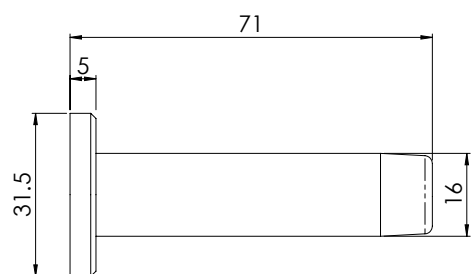


	A	B	C
AA21	32	16	70
AA23	32	16	83



AZ21
Wall Mounted Door Stop

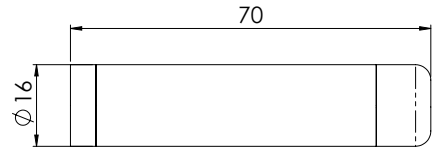
- CP
- PN
- SC
- SN





**AA22
AA122**
Wall Mounted Cylinder Door Stop

- CP
- PB
- SC

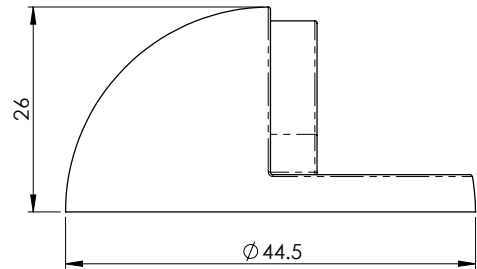


	A	B
AA22	16	70
AA122	16	115.5



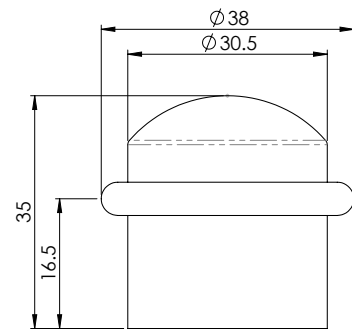
AA20
Oval Floor Mounted Door Stop

- New AB
- New CP
- New MB
- New MBRZ
- New PB
- New PN
- New SB
- New SC
- New SN



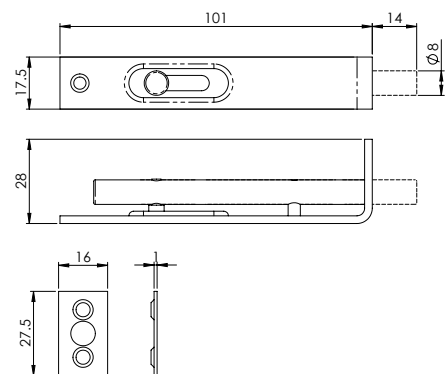
Floor Mounted Door Stop

- DSF5020SC SC
- DSF2020PB PB
- DSF3020CP CP



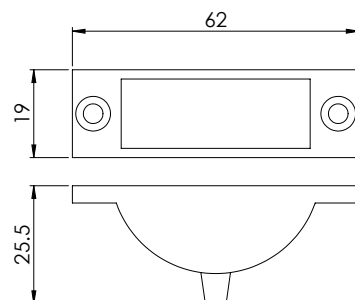
AA79
Sunk Slide Flush Bolt

- CP
- PB
- SC
- SN



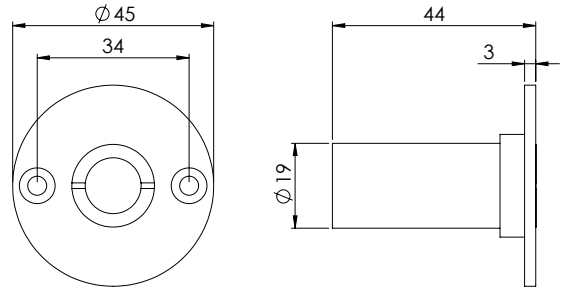
AA813
Flush Bolt Socket
(13mm Slot Size)

- CP
- SN

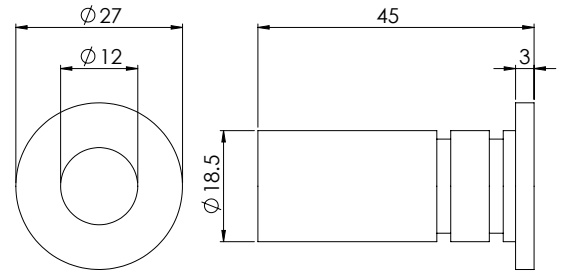
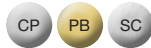




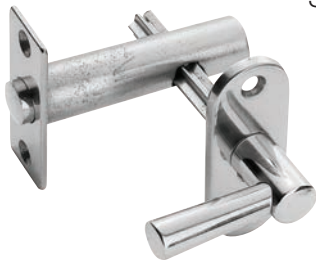
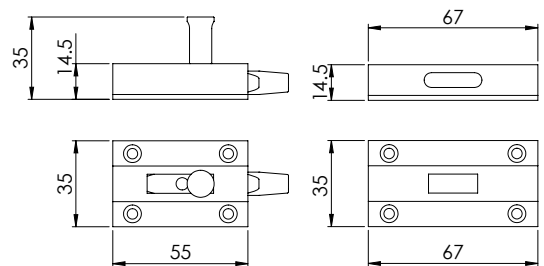
AQ46
Dust Excluding Socket
for Flush Bolts
Wood Variant



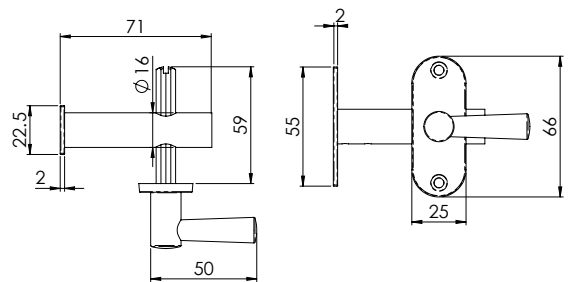
AQ47
Dust Excluding Socket
for Flush Bolts
Concrete Variant



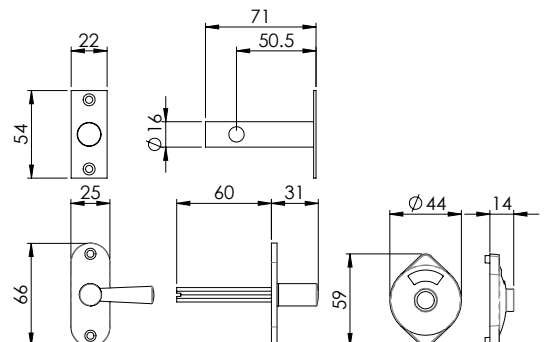
BR35
Bathroom Indicator Bolt



AA34
Security Bolt with Turn



AA35
Indicator Bolt with
Emergency Release

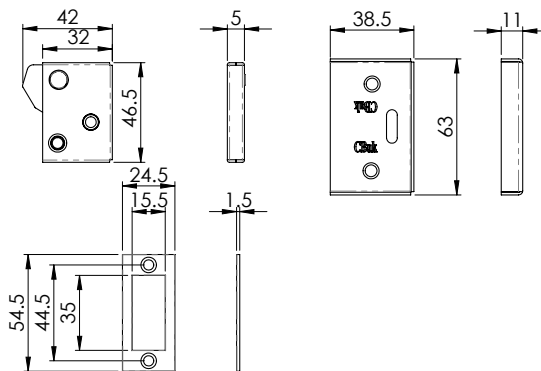


Accessories



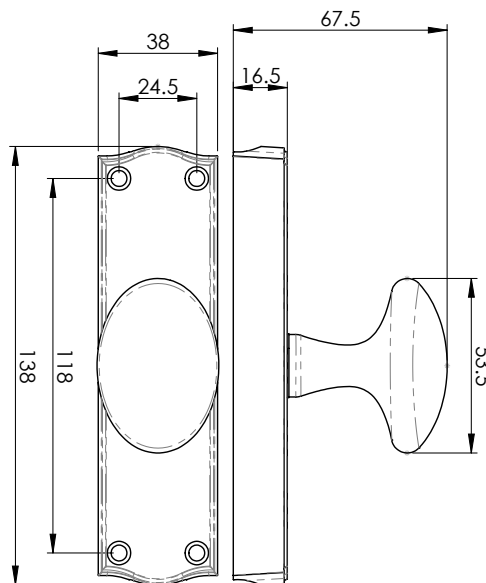
AA46
Easi-Keep Latch

- CP
- PCW



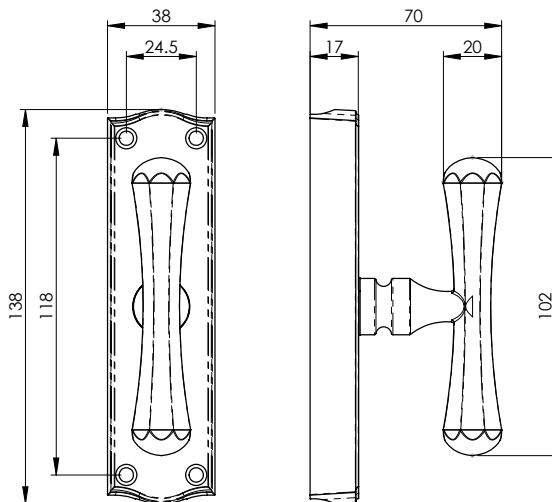
ES34
Espagnolette Bolt Oval Knob Set
With 2 No.x1.2m
Rods & Mortice Keeper
c/w Locking Keeper

- CP
- PB
- SC



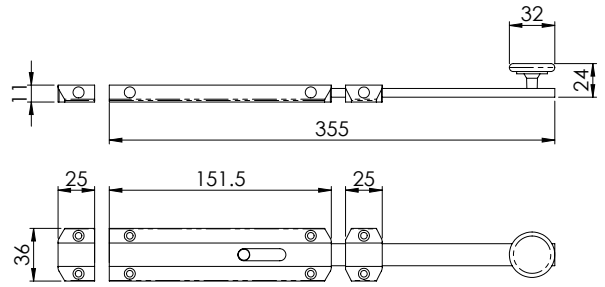
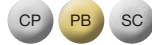
ES35
Espagnolette Bolt Tee Knob Set
With 2 No.x1.2m
Rods & Mortice Keeper

- CP
- PB
- SC

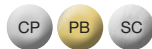




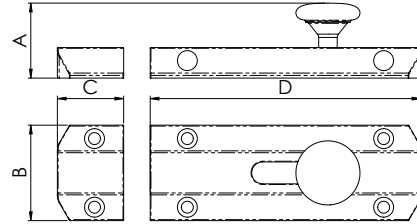
AQ82EX
Surface Bolt
c/w 3 Keeps for
Various Applications



AQ81
AQ82
Architectural Surface Bolt
c/w 3 Keeps for
Various Applications



AQ83
AQ84



	A	B	C	D
AQ81	26	36	25	102
AQ82	26	36	25	152
AQ83	26	36	25	202
AQ84	26	36	25	252



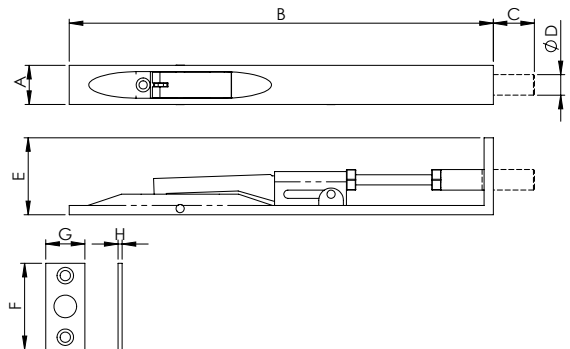
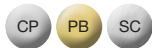
AA80
AA81
Lever Action Flush Bolt



AA810
AA812



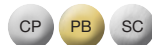
AA818
AA824



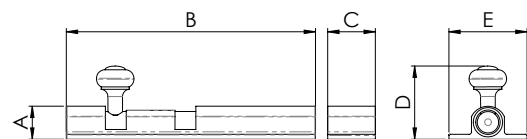
	A	B	C	D	E	F	G	H
AA80	17.5	152	16	11	34	38	19	1
AA81	17.5	204	16	11	34	38	19	1
AA810	17.5	254	16	11	34	38	19	1
AA812	17.5	305	16	11	34	38	19	1
AA818	17.5	460	16	11	34	38	19	1
AA824	17.5	610	16	11	34	38	19	1



BB3808
BB3204
BB3206
BB3806



BB3208

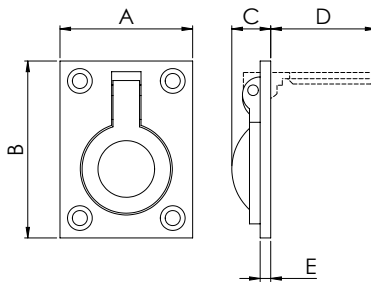


	A	B	C	D	E
BB3204	17	102	20	39	32
BB3206	17	152	20	39	32
BB3208	17	202	22	39	32
BB3806	17	152	20	39	38
BB3808	17	202	22	39	38

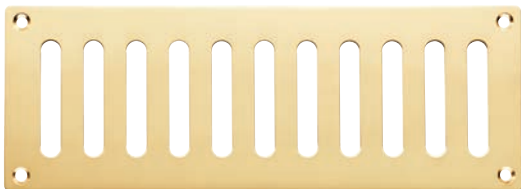
Accessories



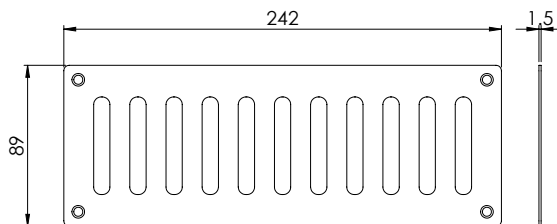
**FRP50
FRP63**
Flush Ring Pull



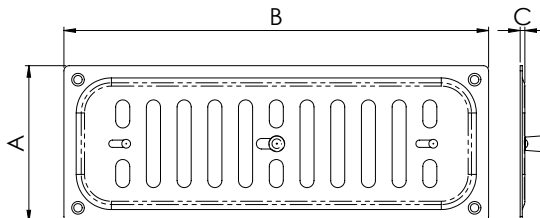
	A	B	C	D	E
FRP50	38	50	11	30.5	3
FRP63	49	63	12	38	3



PL4
Plain Slot Brass Vent
Radius Corners



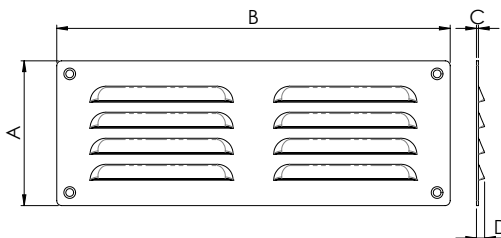
**HM4
HM5**
Hit & Miss Brass Vent
Radius Corners



	A	B	C
HM4	89	242	2.5
HM5	165	242	3



**HL4
HL5
HL6**
Hooded Louvre Brass Vent



	A	B	C	D
HL4	89	242	1	5
HL5	165	242	1	5
HL6	242	242	1	5

KNURLED RANGE



Cabinet Hardware

Cabinet Hardware

A wide variety of cabinet hardware ◀

Products made from high quality brass, stainless steel, zinc and crystal ◀

Contemporary, traditional and period designs available ◀

Compliments door handles, knobs and Eurolite wiring accessories ◀

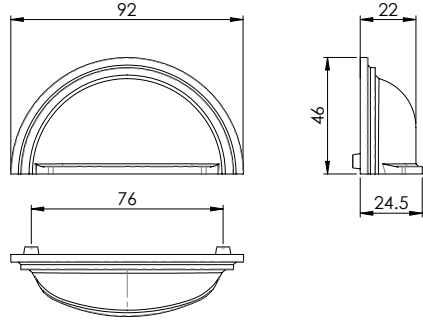


C47
Solid Brass Victorian Cupboard Pull



- New New
- -
 -
 -
 -
 -
 -

Matching cupboard knob M47 on P150

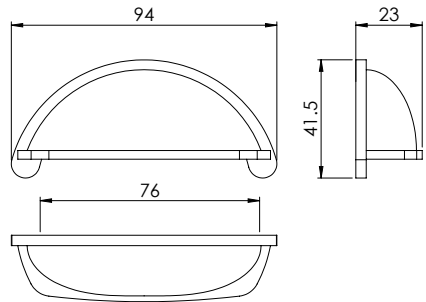


FTD557
Cottage Cupboard Pull



-
-
-

Matching cupboard knob FTD524 on P155

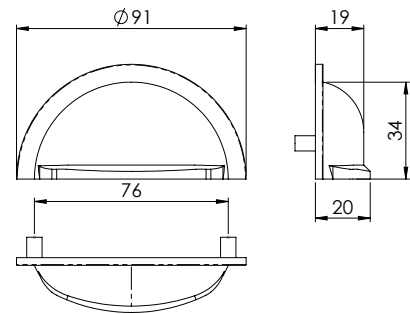


FTD558
Oxford Cupboard Pull



-
-
-
-
-

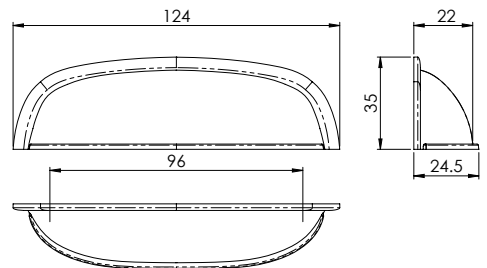
Matching cupboard knob FTD524 on P155



FTD559
Modern Shaker Cupboard Pull



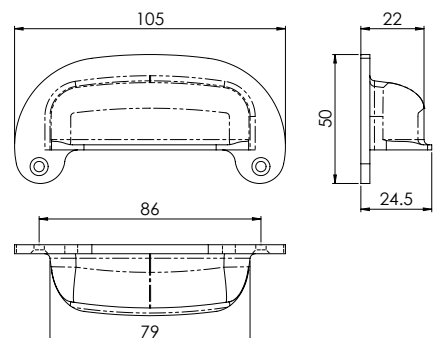
-
-



FTD5515
Oval Plate Cupboard Pull



-



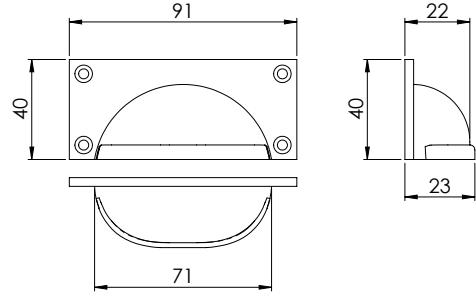
Cupboard Pulls



FTD5520
Square Plate Cupboard Pull



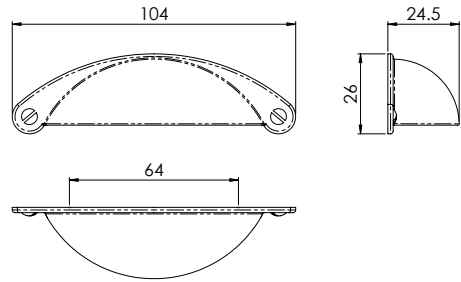
Matching cupboard knob FTD1078B on P159



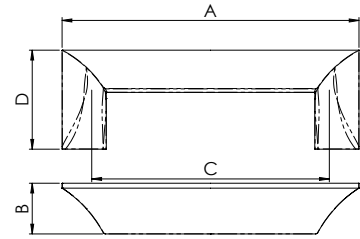
FTD555
Traditional Cupboard Pull



Matching cupboard knob FTD515 on P158
Matching cupboard handles FTD505 & FTD520 on P172/173



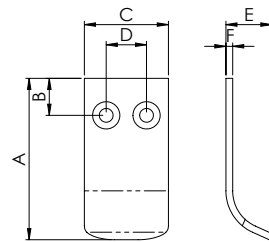
FTD935
Capori Cupboard Pull



	A	B	C	D
FTD935A	120	21	96	40
FTD935D	216	21	192	40
FTD935G	343	21	320	40



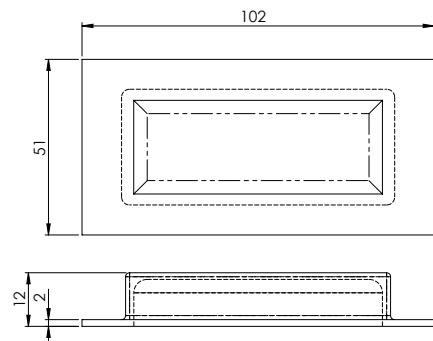
FTD3015
Solid Brass Hidden Finger Pull



	A	B	C	D	E	F
FTD3015A	48	11	25	12	14	2
FTD3015B	48	11	50	29	14	2
FTD3015C	48	11	75	52	14	2



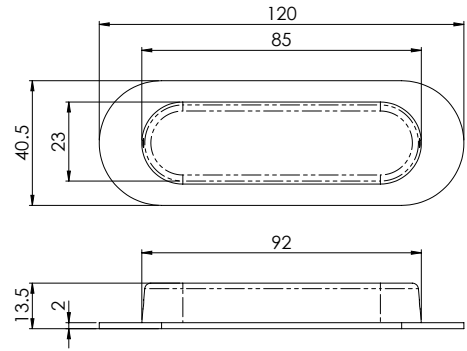
FPH1000
Rectangular Flush Pull





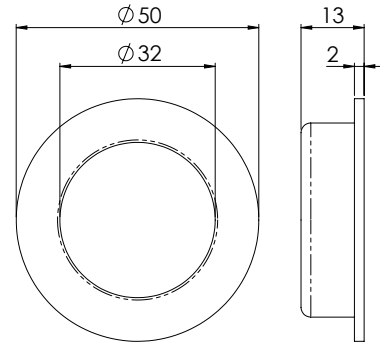
FPH1001
Radius Flush Pull

BSS SSS



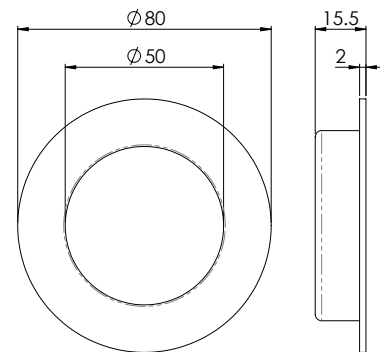
FPH1002
Circular Flush Pull

BSS SSS



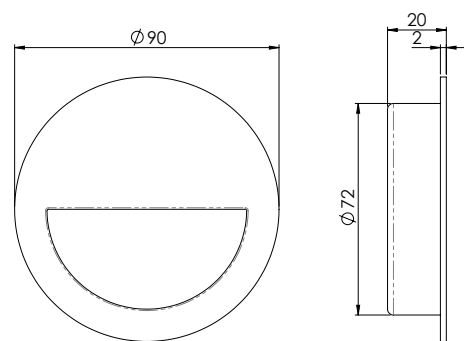
FPH1003
Circular Flush Pull

BSS SSS



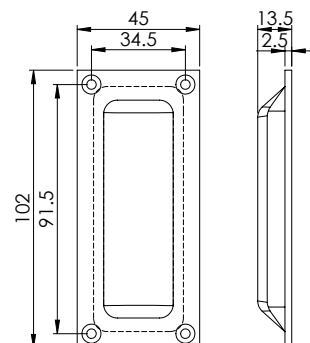
FPH1004
Circular Flush Pull

BSS SSS



AQ90
Solid Brass Flush Pull

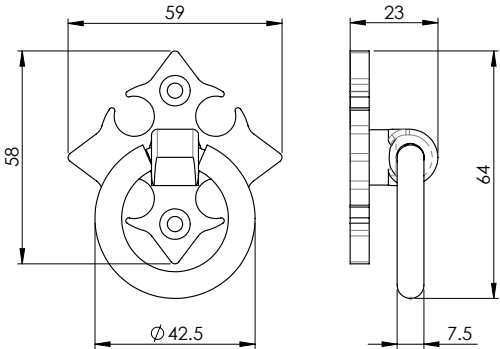
CP PB SC



M3
T
13



FTD1044
Ring Pull on
Gothic Cross Backplate



FTD5520PE

M1003/4/5SB



Cupboard Knobs



New

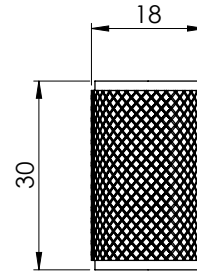


FTD702
Solid Brass Knurled Knob



Matching cupboard handle FTD700 on P162

M4
T
25



New

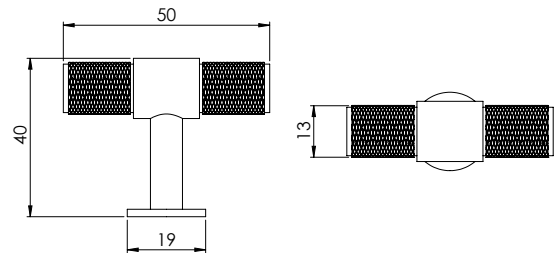


FTD701
Solid Brass Knurled T-Bar Knob



Matching cupboard handle FTD700 on P162

M4
T
25



New

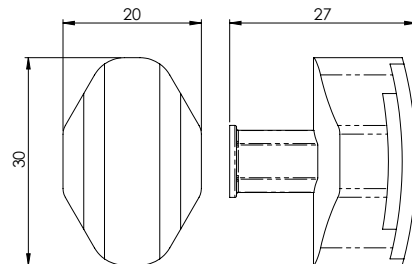


ADR501B
Art Deco Knob



Matching cupboard handle ADR502C on P163

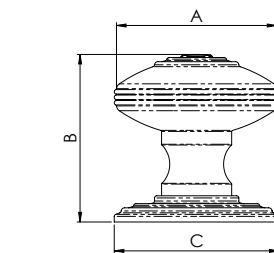
M4
T
25



New



FTD720
Solid Brass Anderson Knob



M4
T
25

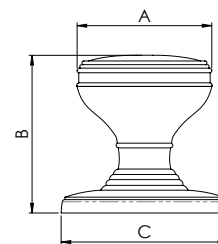
	A	B	C
FTD720A	33	32	32
FTD720B	39	38	38
FTD720C	43	42	42



New



DK47
Delamain Plain Knob



M4
T
62

	A	B	C
DK47B	26	31	32
DK47C	31	36	38
DK47D	37.5	44.5	46



Matching cupboard pull C47 on P144

M4
↑
25&62

M47
Solid Brass Victorian Knob



M47MB
Matt Black



M47AB
Antique Brass



M47CP
Polished Chrome



M47
Polished Brass



M47PN
Polished Nickel



M47SB
Satin Brass



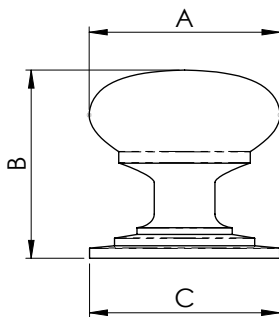
M47SC
Satin Chrome



M47SN
Satin Nickel



M47SSE
Stainless Steel Effect



	A	B	C
M47A	25	25	25
M47B	32	32	32
M47C	38	38	38
M47D	42	42	42
M47E	50	50	50

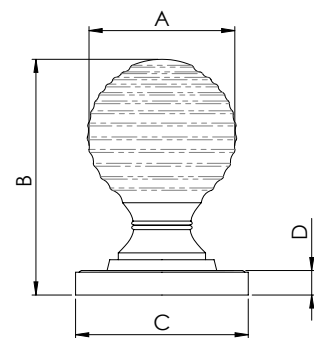
M47BSN



M1003/4/5
Solid Brass Queen Anne Knob



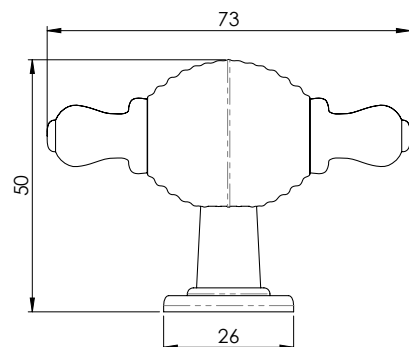
	A	B	C	D
M1003	22.5	35	25	4
M1004	27.5	40	30	4
M1005	34.5	51	40	4



M4
T
25&62



FTD600R
Reeded Knob with Finial Ears



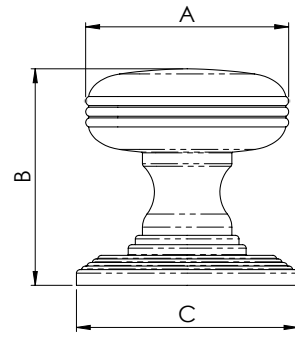
M4
T
62



DK49
Solid Brass Delamain Ringed Knob



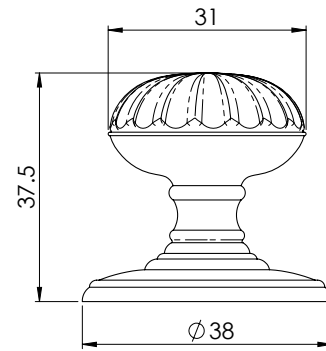
	A	B	C
DK49B	28	28	28
DK49C	35	34	40



M4
T
25&62



DK48C
Solid Brass Delamain Flower Knob



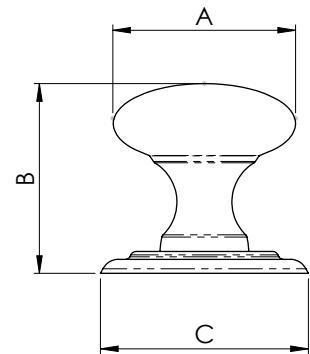
M4
T
62



DL47
Solid Brass Classical Victorian Knob



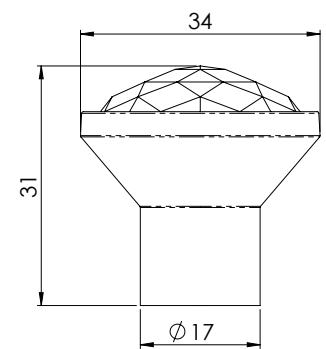
	A	B	C	D
DL47A	25	26.5	25	4
DL47B	32	31.5	37	4
DL47C	36	35	37	4
				CP
DL47D	41	42.5	46.5	4
DL47E	46	49	54.5	4



M4
T
25&62



FTD770C
Round Crystal Knob



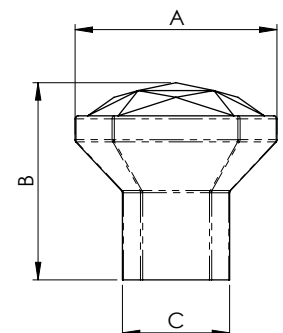
M4
T
25



FTD790
Square Crystal Knob



	A	B	C
FTD790B	32	32	32
FTD790C	38	38	38



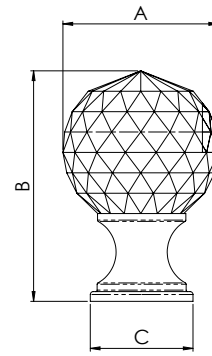
M4
T
25



FTD670
Crystal Clear
Faceted Knob



	A	B	C
FTD670A	25	37.5	18
FTD670B	31	44	21
FTD670C	35	49	21
FTD670D	40	52	23



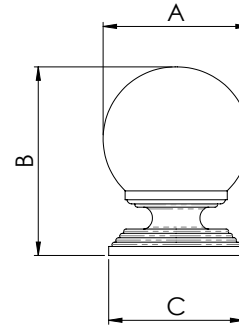
M4
T
25



FTD690
Crystal Clear
Ball Knob



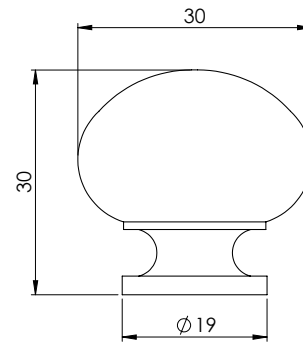
	A	B	C
FTD690A	30	39	28
FTD690B	34	47	28



M4
T
25



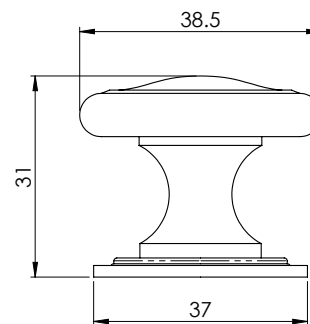
FTD1270A
Solid Bronze Mushroom Knob



M4
T
25



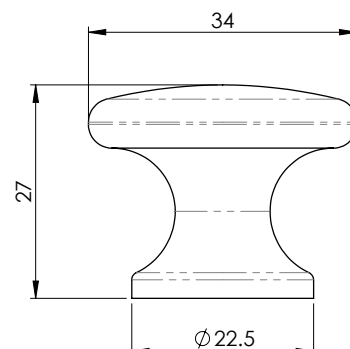
FTD1275A
Solid Bronze Cottage Knob



M4
T
25



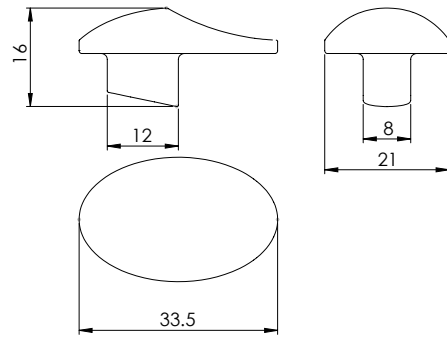
FTD521
Temperance Knob



M4
T
25



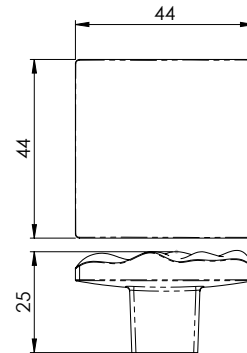
FTD4030
Crescent Knob



M4
T
25



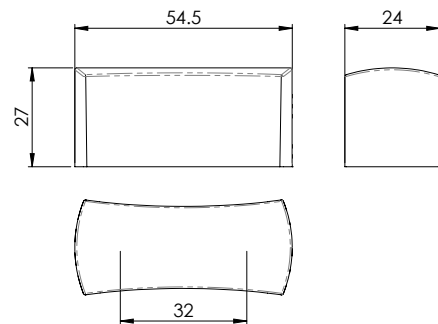
FTD929A
Serdi Knob



M4
T
22



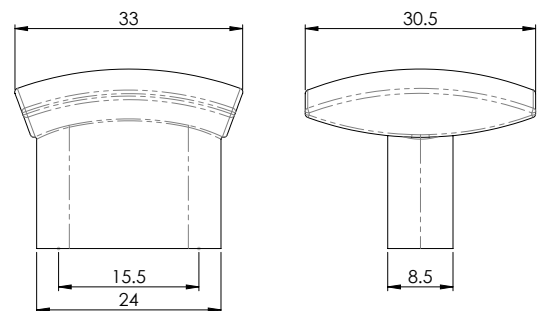
FTD2095A
Small Infinity Knob



M4
T
25



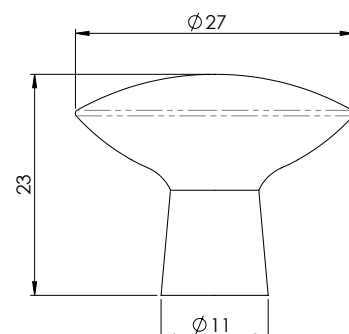
FTD3565
Helio Knob



M4
T
25



FTD523
Disc Knob



M4
T
25

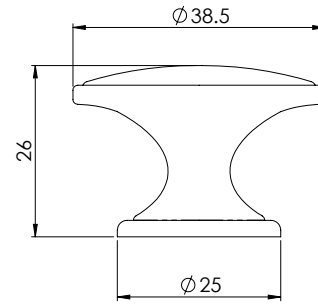


FTD524
Oxford Knob



Matching cupboard pull FTD558 on P144

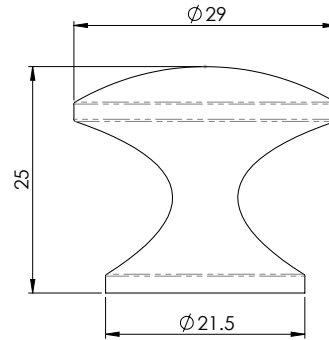
M4
T 25



FTD346
Silhouette Knob



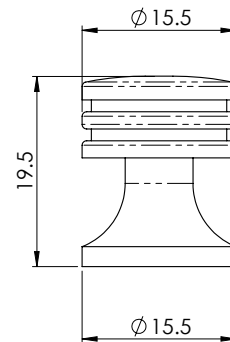
M4
T 25



CH30A
Solid Brass Ringed Knob



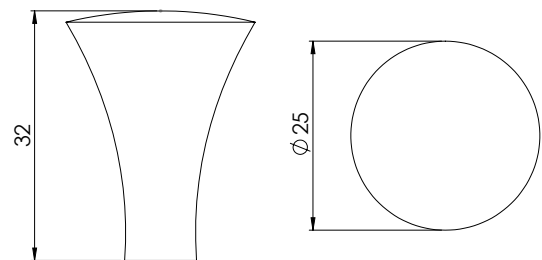
M4
T 25



FTD377
Trumpet Knob



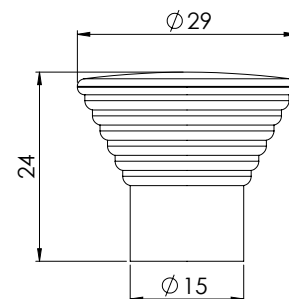
M4
T 25



FTD345B
Aztec Ringed Knob

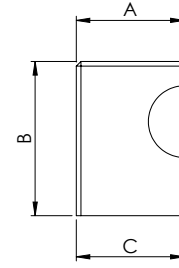


M4
T 25





FTD2525
Square Knob

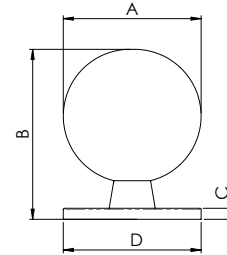


M4
T
25

	A	B	C
FTD2525A	17.5	25	17.5
FTD2525B	21.5	30	21.5



CH6
Solid Brass Ball Knob

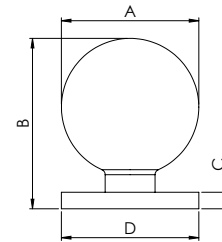


M4
T
25

	A	B	C	D
CH6C	25	30	2	25
CH6D	30	36	2	30



FTD425
Stainless Steel
Spherical Knob

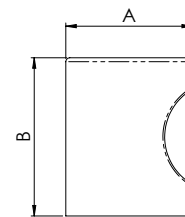


M4
T
25

	A	B	C	D
FTD425A	25	31	2.5	25
FTD425B	29	35.5	2.5	30



FTD430
Stainless Steel
Cylindrical Knob

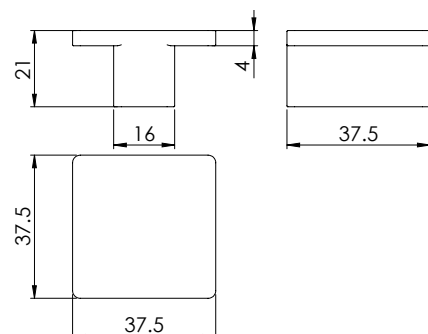


M4
T
25

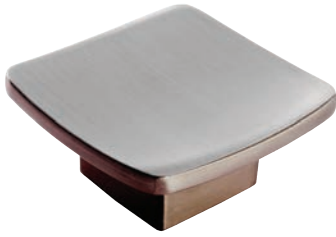
	A	B
FTD430A	16	20
FTD430B	20	25
FTD430C	25	30
FTD430D	30	37



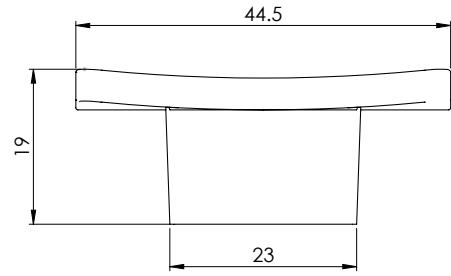
FTD4045A
Marin Knob



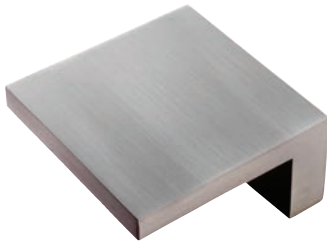
M4
T
25



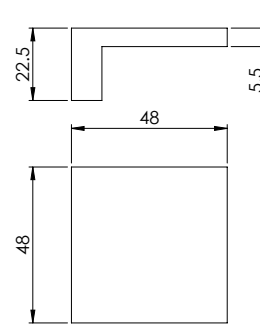
FTD4020A
Novus Knob



M4
T
25



FTD4025
Gamma Knob



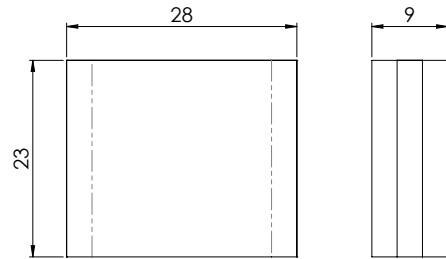
M4
T
25



FTD429A
Lewis Straight Knob



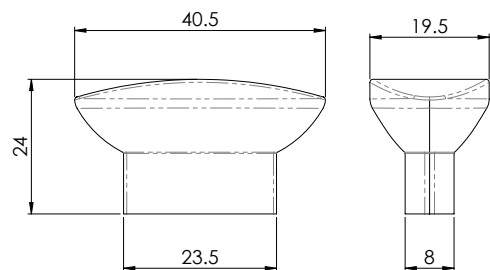
Matching cupboard handle FTD529 on P169



M4
T
25



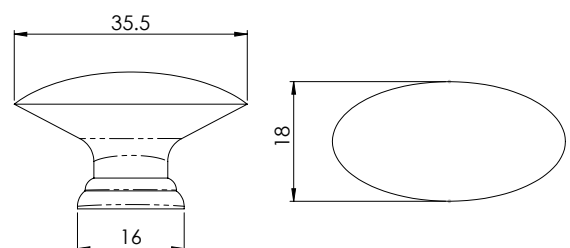
FTD3570
Elias Knob



M4
T
25



FTD255A
Oval Knob

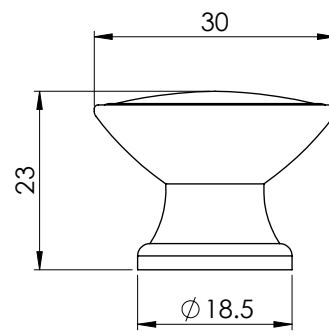


M4
T
25



New

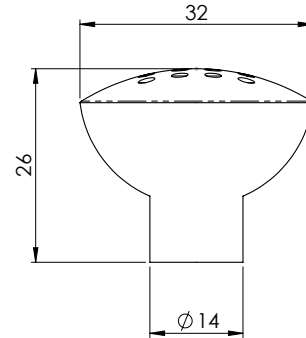
FTD535A
Shaker Style Knob



M4
T
25



FTD235A
Dimple Effect Knob



M4
T
25

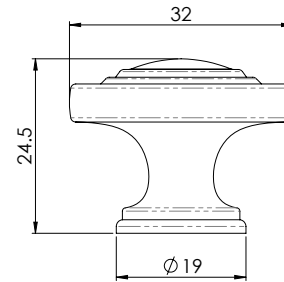


FTD515
Traditional Pattern Knob

New



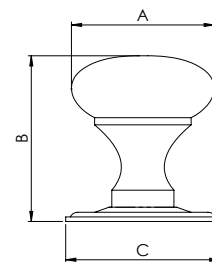
Matching cupboard pull FTD555 on P145
Matching cupboard handles FTD505 & FTD520 on P172/173



M4
T
25&62



FTD1265
Hollow Victorian Knob

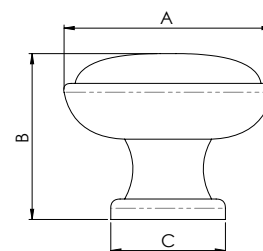


M4
T
25&62

	A	B	C
FTD1265B	31.5	36	33.5
FTD1265C	37	41	38



FTD525B
Shaker Style Knob



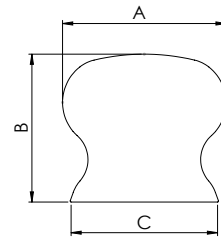
M4
T
25&62

	A	B	C
FTD525B	34	27	18.5



FTD620
Porcelain Knob

PWH



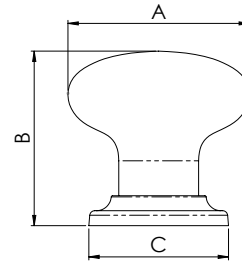
M4
T
62

	A	B	C
FTD620A	32	29	28
FTD620B	37	32	31
FTD620C	43	41	40



FTD630A
Porcelain Mushroom
Pattern Knob

ABIC AS FB CP
MC IC MC



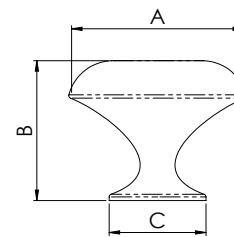
A
M4
T
48

	A	B	C
FTD630A	36	34	28



FTD585
FTD585A
Hammered Finish Knob

AS



M4
T
62

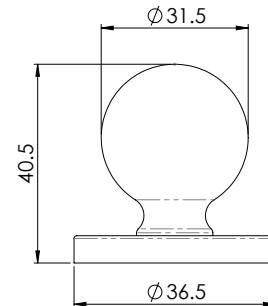
	A	B	C
FTD585	32	26	18
FTD585A	37.5	29	19



FTD1078B
Hammered Pattern

BA PE

Matching PE finish cupboard pull FTD5520PE on P145

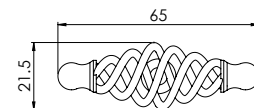


M4
T
62

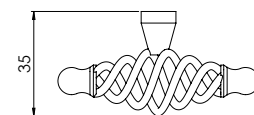


FTD1230B
Steel Cage Oval Knob

AS



M4
T
25



	A	B	C
FTD1230B	65	21.5	35

FTD700/01/02SB



FTD445MB



Cupboard Handles

New

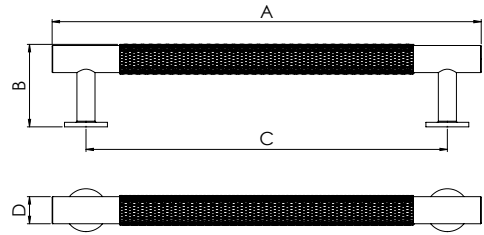


FTD700
Solid Brass Knurled Pull Handle



Matching cupboard knobs FTD701 & FTD702 on P149

M4
T 25



	A	B	C	D
FTD700B	158	36	128	12
FTD700C	190	36	160	12

FTD445

Steel T-Bar Handle

FTD445B
FTD445C
FTD445F
FTD445M

New



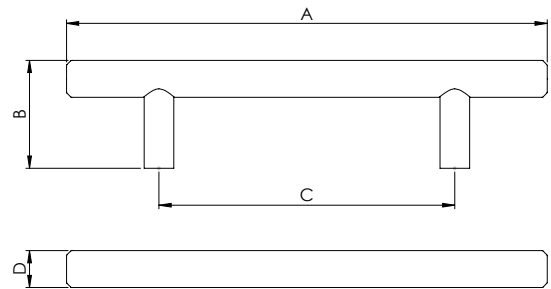
FTD445A
FTD445D
FTD445E
FTD445G
FTD445J



FTD445H
FTD445L
FTD445N
FTD445P
FTD445V
FTD445W

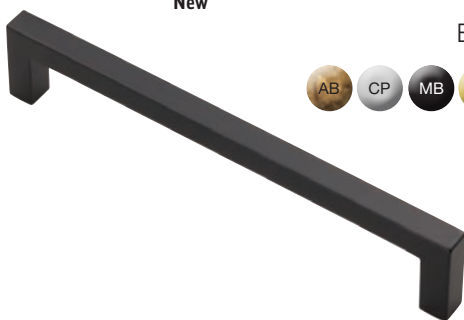


M4
T 25



	A	B	C	D
FTD445A	156	35	96	12
FTD445B	188	35	128	12
FTD445C	220	35	160	12
FTD445D	252	35	192	12
FTD445E	284	35	224	12
FTD445F	348	35	288	12
FTD445G	312	35	352	12
FTD445H	444	35	384	12
FTD445J	508	35	448	12
FTD445L	572	35	512	12
FTD445M	668	35	608	12
FTD445N	700	35	640	12
FTD445P	828	35	768	12
FTD445V	1020	35	960	12
FTD445W	1084	35	1024	12

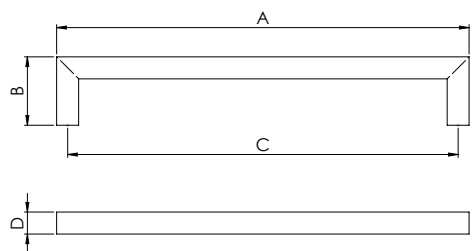
New



FTD401
Block Handle



M4
T 25



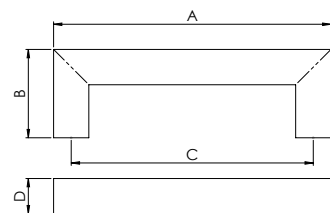
	A	B	C	D
FTD401C	170	30	160	10
FTD401F	330	30	320	10

FTD403

Stainless Steel Linear Handle



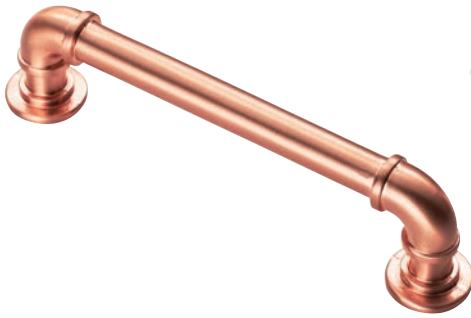
M4
T 25



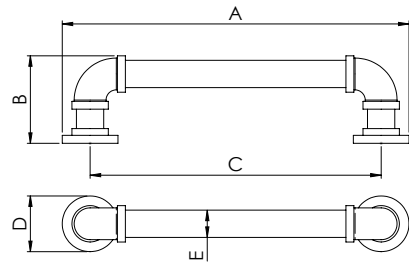
	A	B	C	D
FTD403A	110	35	14	96
FTD403B	142	35	14	128
FTD403C	174	35	14	160
FTD403E	206	35	14	192



New

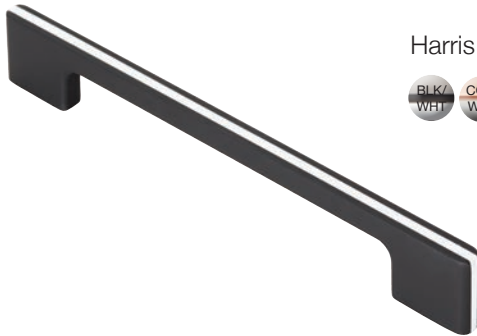


FTD402
Pipe Handle



M4
T 25

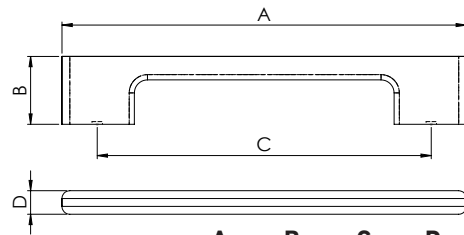
	A	B	C	D	E
FTD402B	152.5	38	128	24.5	12
FTD402F	344.5	38	320	24.5	12



FTD529
Harris Pull Handle

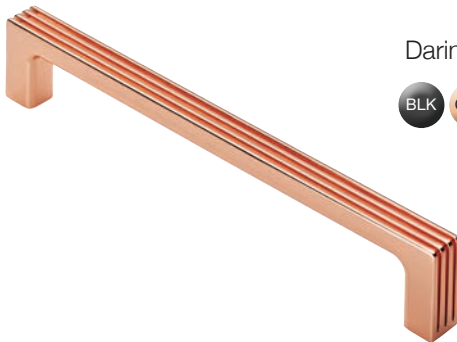


Matching cupboard knob FTD429A on P157

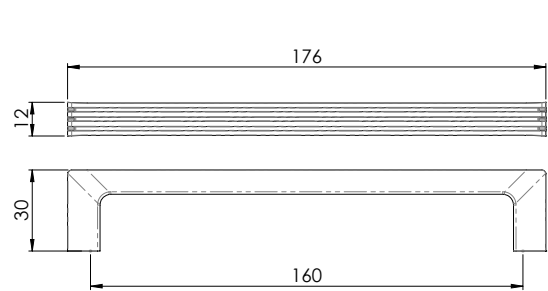
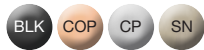


M4
T 25

	A	B	C	D
FTD529B	155	26	128	9
FTD529C	186	26	160	9
FTD529D	219	26	192	9



FTD927C
Darini Pull Handle



M4
T 25

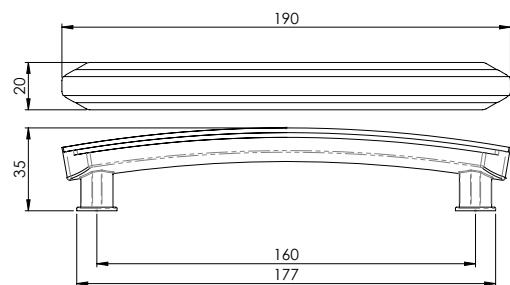


ADR502C
Art Deco Handle

New



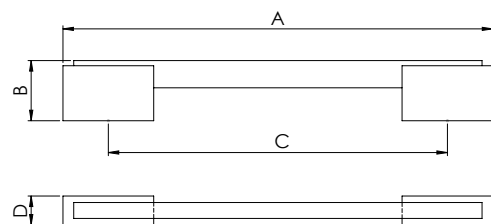
Matching cupboard knob ADR501B on P149



M4
T 25

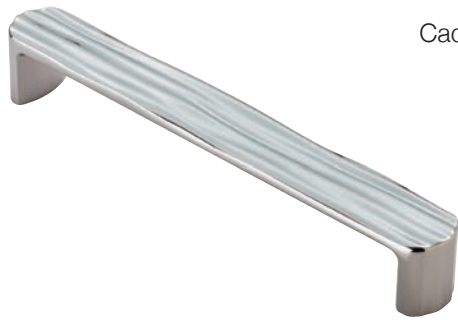


FTD4215
Aria Handle

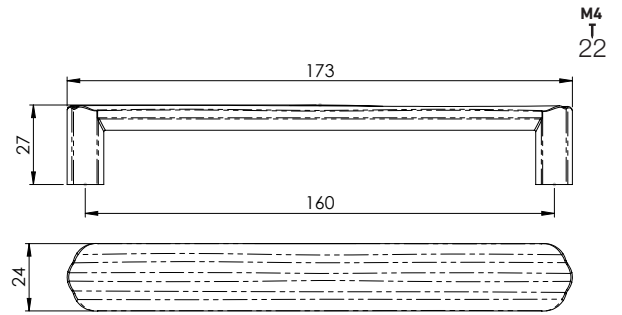


M4
T 25

	A	B	C	D
FTD4215C	200	26.5	160	13
FTD4215E	263	26.5	223	13
FTD4215G	360	26.5	320	13



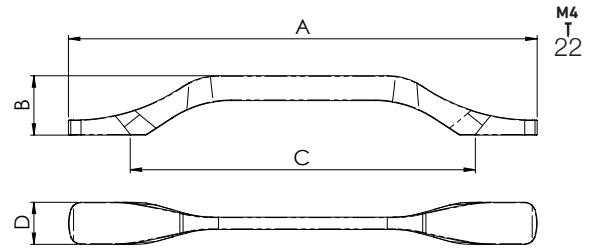
FTD923C
Cadurci Handle



FTD925C
Leuci Handle



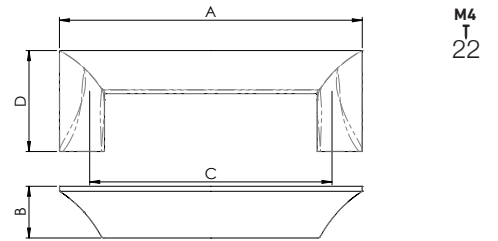
FTD925G



	A	B	C	D
FTD925C	218	31	160	20
FTD925G	377	31	320	20



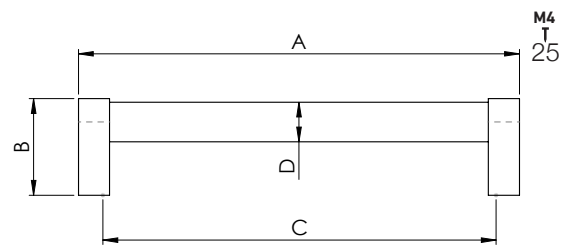
FTD935
Capori Handle



	A	B	C	D
FTD935A	120	21	96	40
FTD935D	216	21	192	40
FTD935G	343	21	320	40



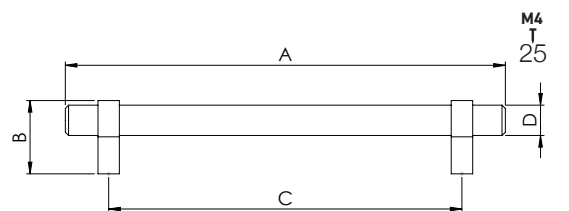
FTD485
Bauhaus Handle



	A	B	C	D
FTD485C	176	38.5	160	16
FTD485F	336	38.5	320	16



FTD495
Rail Handle



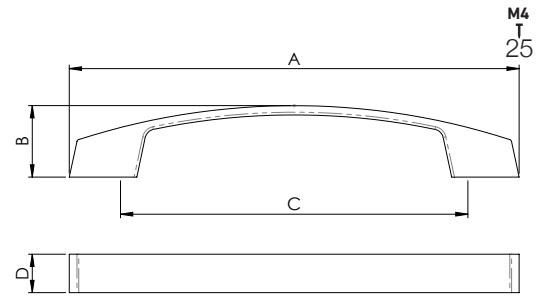
	A	B	C	D
FTD495C	200	34	160	14
FTD495F	360	34	320	14



FTD3165B
Bridge Handle



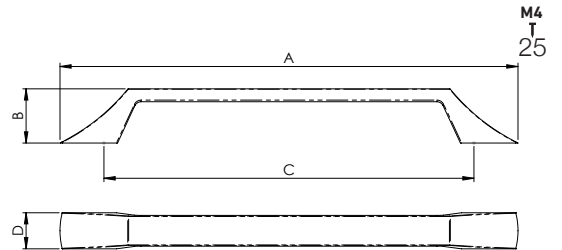
FTD3165C



	A	B	C	D
FTD3165B	169	26.5	128	14
FTD3165C	207	26.5	160	14



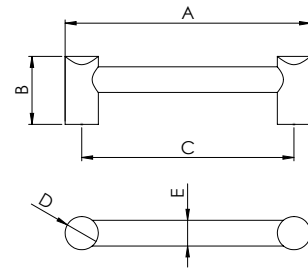
FTD273
Halcyon Handle



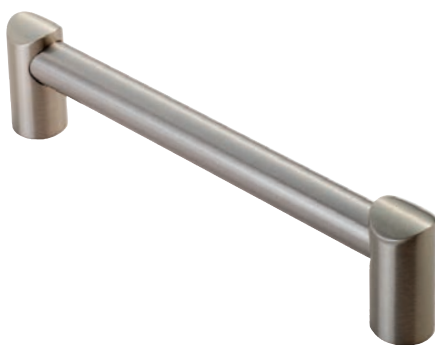
	A	B	C	D
FTD273B	166	24	16	128
FTD273C	203	24	16	160



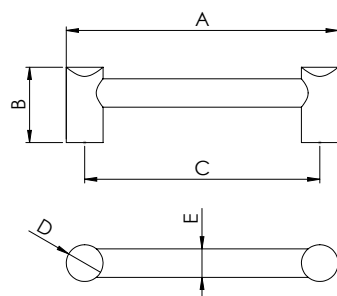
FTD685
Clear Acrylic Bar Handle



	A	B	C	D	E
FTD685B	148	41	128	20	15
FTD685C	180	41	160	20	15



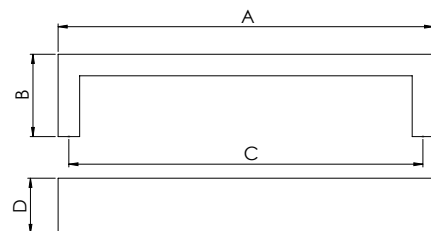
FTD685
Bar Handle



	A	B	C	D	E
FTD685C	180	41	160	20	15
FTD685E	244	41	224	20	15



FTD2550
Rectangular Section
D Handle



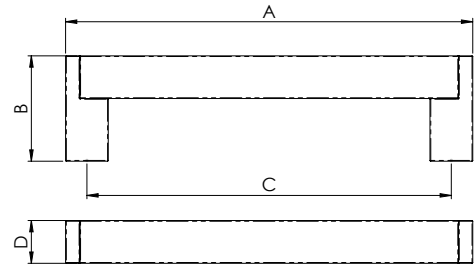
	A	B	C	D
FTD2550B	136	30	128	20
FTD2550C	168	30	160	20
FTD2550D	200	30	192	20
FTD2550E	232	30	224	20



**FTD3550C
FTD3550F
FTD3550G**
Square Section D Handle



**FTD3550B
FTD3550D
FTD3550E**

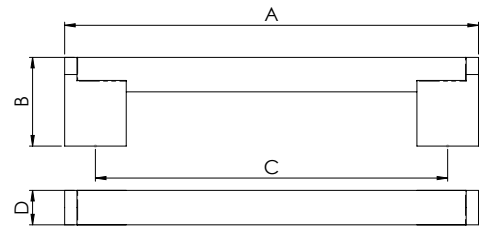


M4
T
25

	A	B	C	D
FTD3550B	143	37	128	15
FTD3550C	175	37	160	15
FTD3550D	207	37	192	15
FTD3550E	240	37	224	15
FTD3550F	335	37	320	15
FTD3550G	463	37	448	15



FTD4750
Bar Handle

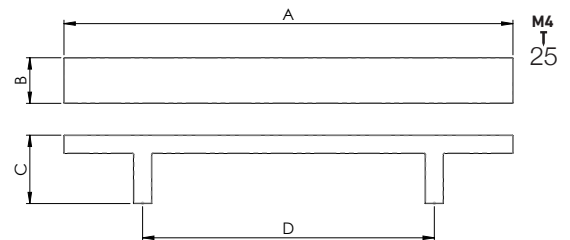


M4
T
25&62

	A	B	C	D
FTD4750B	168	36	128	14
FTD4750C	200	36	160	14
FTD4750D	232	36	192	14
FTD4750E	296	36	256	14
FTD4750F	360	36	320	14
FTD4750G	488	36	448	14
FTD4750N	648	36	608	14
FTD4750S	904	36	864	14



FTD2500
Rectangular Section
T-Bar Handle

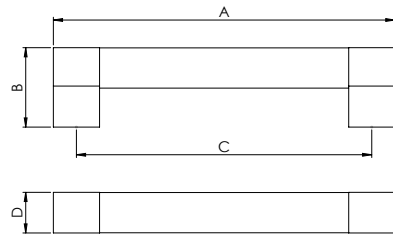


M4
T
25

	A	B	C	D
FTD2500A	197	20	30	128
FTD2500B	228	20	30	160
FTD2500D	291	20	30	224



FTD480
Keyhole Handle

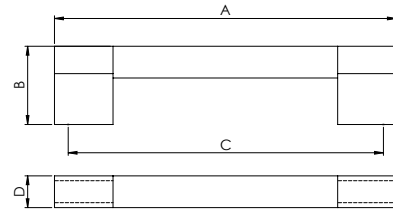


M4
T
25

	A	B	C	D
FTD480B	184	43	160	22
FTD480E	280	43	256	22
FTD480H	376	43	352	22
FTD480J	472	43	448	22
FTD480K	632	43	608	22



FTD470
Keyhole Handle

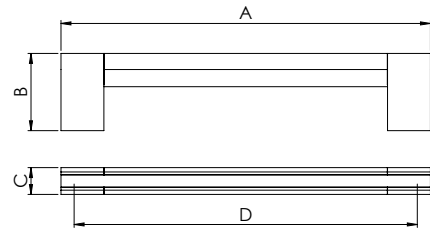


M4
T
25

	A	B	C	D
FTD470B	141	31.5	128	14
FTD470C	141	31.5	160	14
FTD470D	141	31.5	192	14
FTD470E	141	31.5	224	14
FTD470J	141	31.5	448	14
FTD470L	141	31.5	576	14



FTD4225
Solano Handle

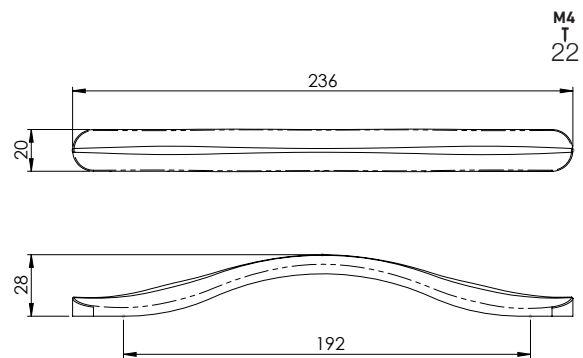


M4
T
25

	A	B	C	D
FTD4225C	172	36	13	160
FTD4225E	236	36	13	224
FTD4225G	333	36	13	320
FTD4225J	460	36	13	448



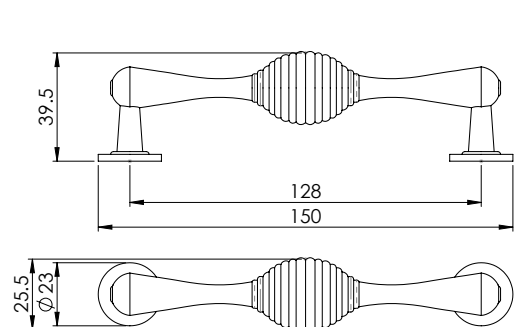
FTD922D
Salassi Handle



M4
T
22



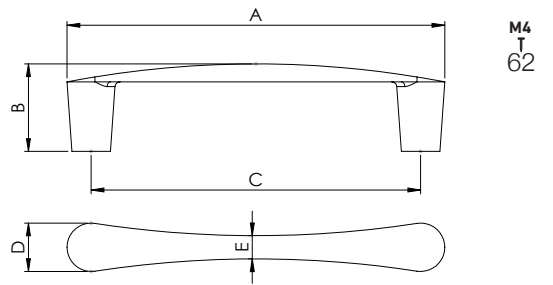
FTD605R
Reeded Handle



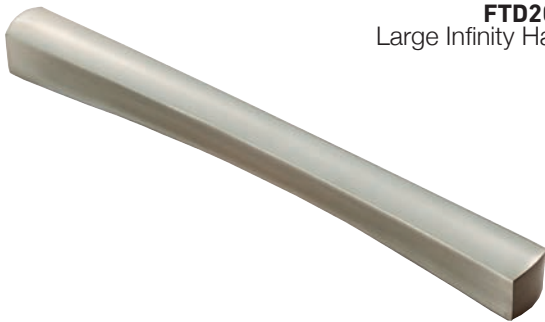
M4
T
62



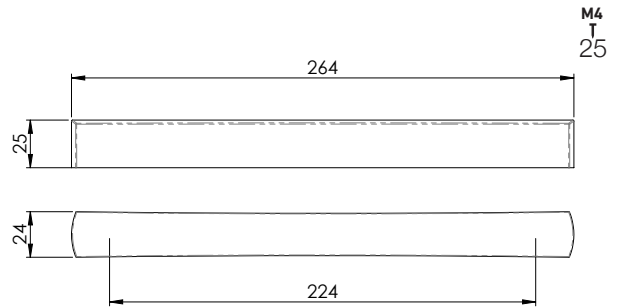
FTD3150
Venturi D Handle



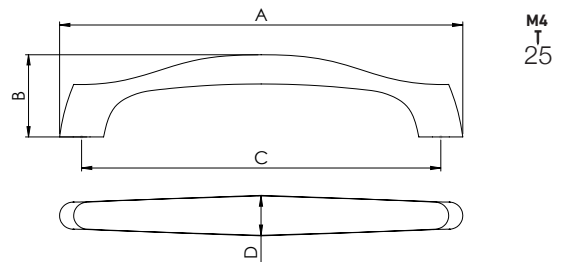
	A	B	C	D	E
FTD3150A	146.5	34	128	18.5	6
FTD3150B	181	36	160	20.5	8



FTD2095E
Large Infinity Handle



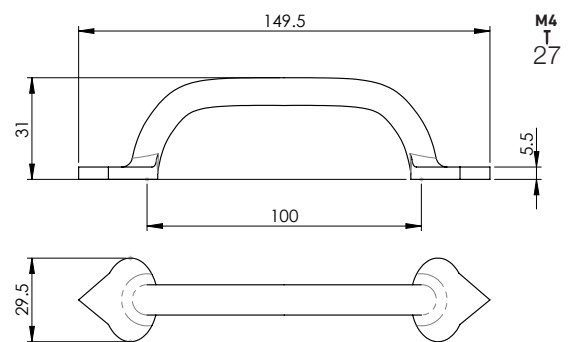
FTD2080
Chunky Arched Grip Handle



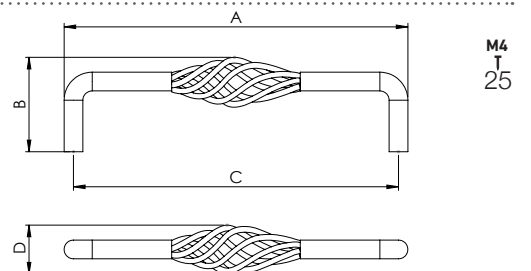
	A	B	C	D
FTD2080A	156	32	128	15
FTD2080B	194	40	160	17



FTD1068B
Hammered Fleur de Lys Handle



FTD1240
Steel Cage Fixed Handle

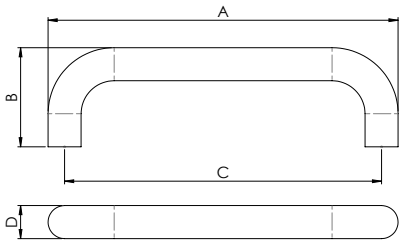


	A	B	C	D
FTD1240A	136	34	128	19
FTD1240B	168	40.5	160	20.5

Cupboard Handles



FTD460
D Handle

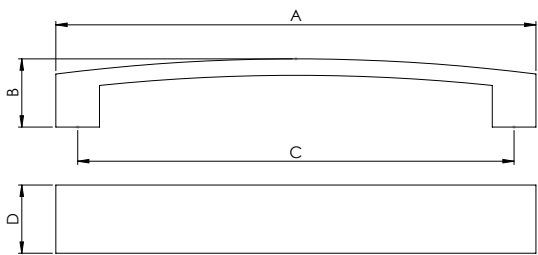


M4
T 25

	A	B	C	D
FTD460A	106	30	96	10
FTD460B	138	30	128	10
FTD460C	170	30	160	10
FTD460D	202	30	192	10

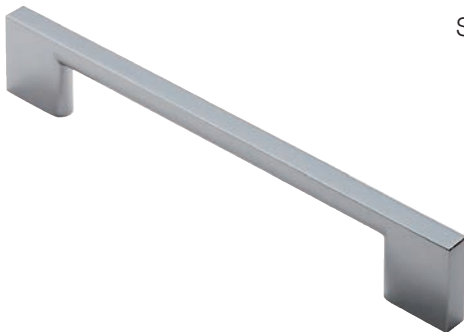


FTD3160
Curva Bow Handle

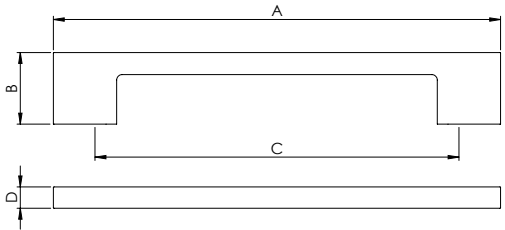


M4
T 25

	A	B	C	D
FTD3160A	172	24	160	25
FTD3160B	238	34	224	25



FTD3065
Slim D Handle

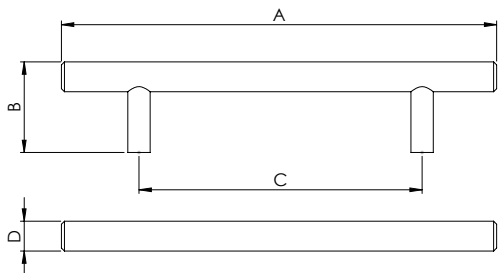


M4
T 25

	A	B	C	D
FTD3065A	165	26	128	8
FTD3065B	193	26	160	8
FTD3065C	223	26	192	8
FTD3065D	286	26	256	8



FTD410
Stainless Steel T-Bar Handle

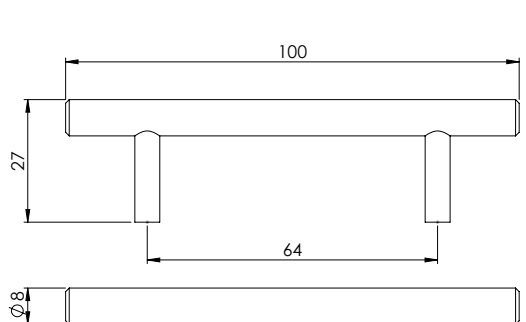


M4
T 25

	A	B	C	D
FTD410A	146	30	96	10
FTD410B	178	30	128	10
FTD410C	210	30	160	10



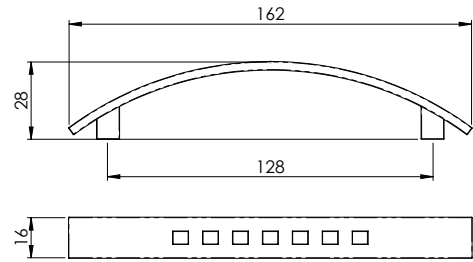
FTD444
Mini T-Bar Handle



M4
T 25



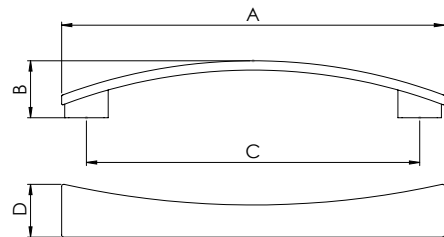
FTD272B
Quadra Bow Handle



M4
T 25



FTD3170
Valetta Bow Handle

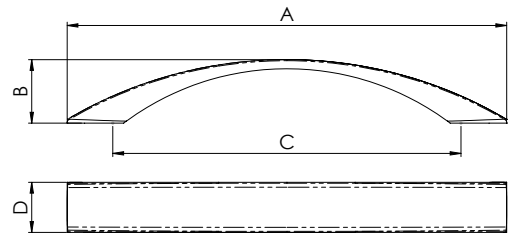


M4
T 25

	A	B	C	D
FTD3170A	183	27	160	26
FTD3170B	219	27	192	26
FTD3170C	335	27	320	29.5



FTD2040
Concave Bow Handle

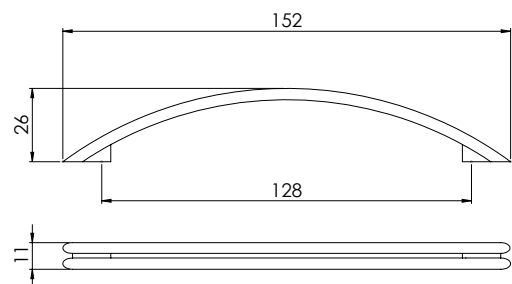


M4
T 25

	A	B	C	D
FTD2040A	159	24	159	18.5
FTD2040B	198	30	198	23.5



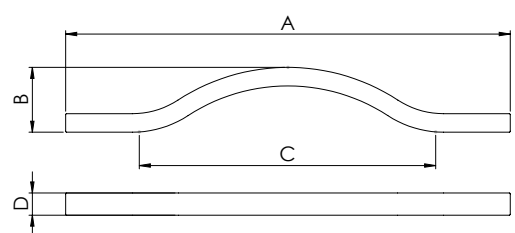
FTD280B
Wire Bow Handle



M4
T 25



FTD4220
Ovenco Handle

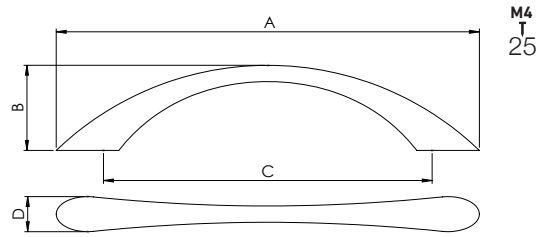


M4
T 25

	A	B	C	D
FTD4220C	240	35	160	12
FTD4220D	273	35	192	12
FTD4220G	410	35	320	12



FTD2010
Waisted Bow Handle



	A	B	C	D
FTD2010B	156.5	30	128	9
FTD2010E	287.5	30	224	15

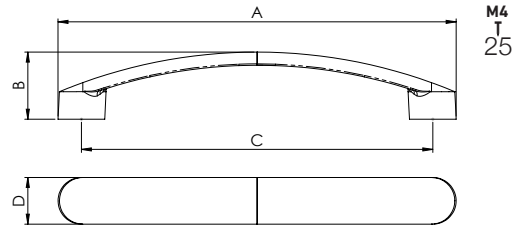


FTD2035
Radiused End Flat Bow Handle

FTD2035A



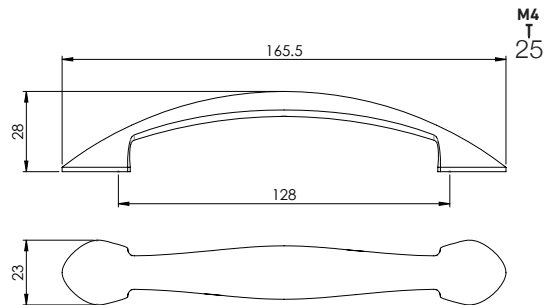
FTD2035B



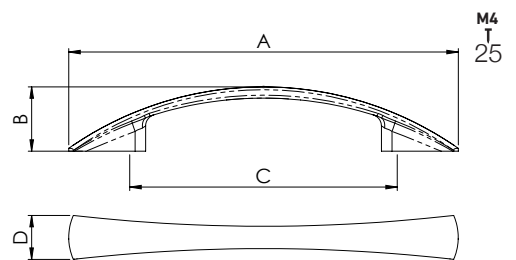
	A	B	C	D
FTD2035A	145	25	128	12
FTD2035B	178	26	160	18.5



FTD343
Platypus Bow Handle



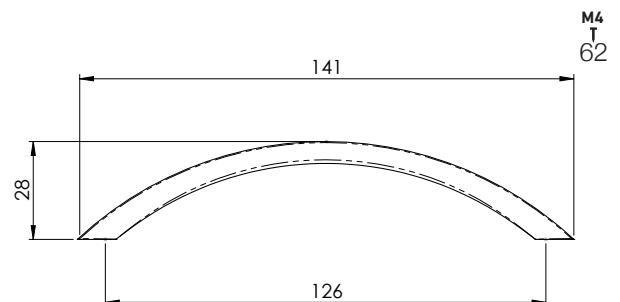
FTD380
Waisted Flat Bow Handle



	A	B	C	D
FTD380A	137	23	96	16
FTD380B	172	25	128	16



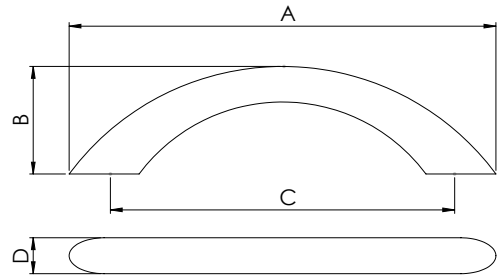
FTD270A
Curved Convex Grip Handle





FTD450
Bow Handle

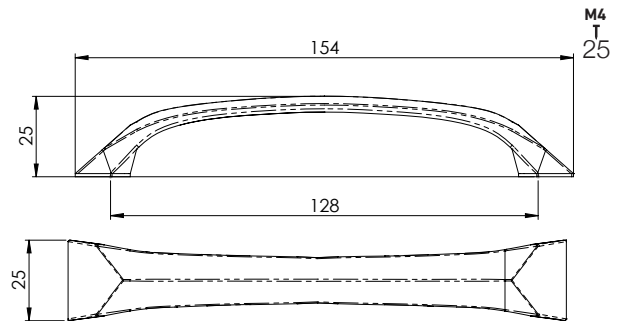
M4
25



	A	B	C	D
FTD450A	114	30	96	10
FTD450B	153	31	128	10
FTD450C	190	32	160	10
FTD450D	226	32	192	10
FTD450E	256	32	224	10
FTD450F	338	33	288	10
FTD450G	372	34	320	10
FTD450H	408	38	352	10



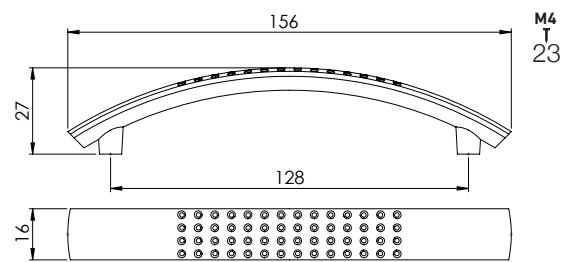
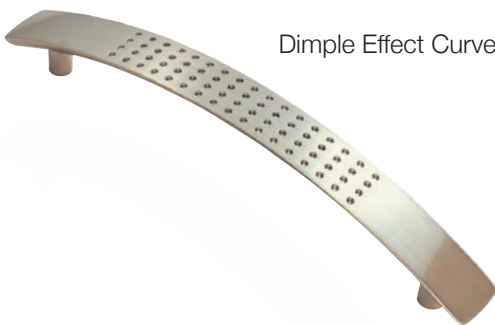
FTD3440
Solo Handle



M4
25



FTD230
Dimple Effect Curved Handle



M4
23

FTD230B	A	B	C	D
	156	27	128	16

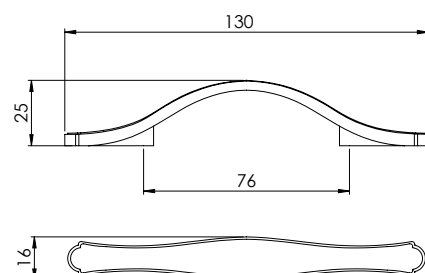


FTD505
Stepped Edge Bow Handle



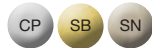
Matching cupboard knob FTD515 on P158
Matching cupboard pull FTD555 on P145

M4
62



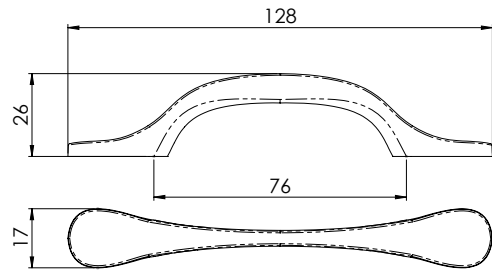


FTD520
Shaker Style Handle

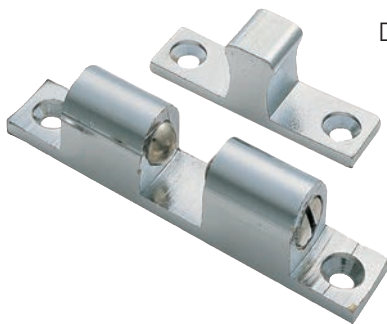
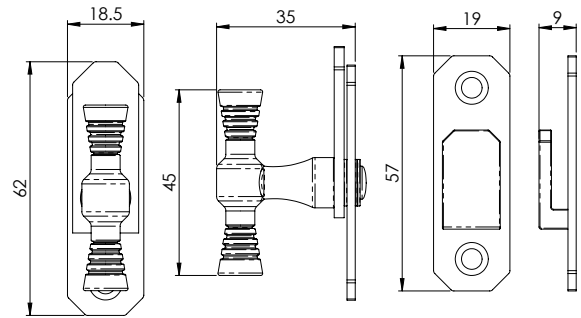


Matching cupboard knob FTD515 on P158
Matching cupboard pull FTD555 on P145

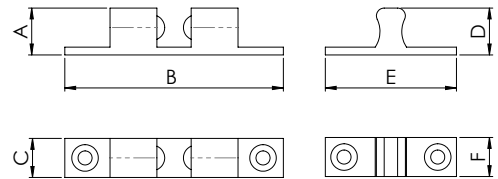
M4
T 62



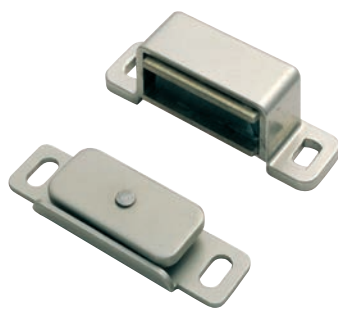
WF13
Solid Brass T Handle Fastener



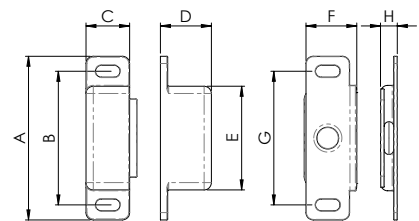
FTD815
Double Ball Catch



	A	B	C	D	E	F
FTD815A	9.5	43	8	9.3	26.5	8
FTD815B	11	49	9	10.5	28	9
FTD815C	13	60	11.5	12.5	37	11.5
FTD815D	15	69	12.5	15	41.5	12.5



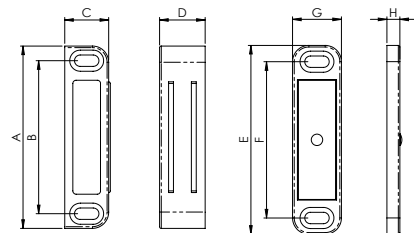
FTD840
6kg pull
FTD850
3.5kg pull
Superior Steel
Magnetic Catch



	A	B	C	D	E	F	G	H
FTD840	46	36.5	12	14	28.5	14.5	36.5	5.5
FTD850	46	36.5	12	14	28.5	14.5	36.5	5.5



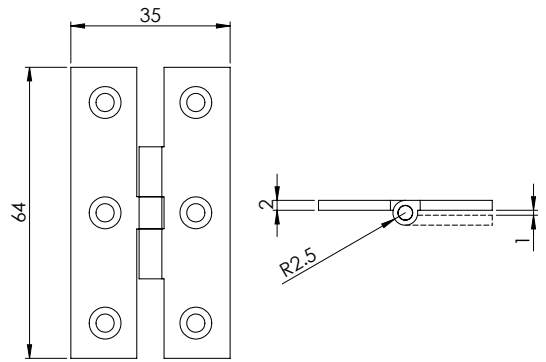
FTD835
Nylon Magnetic Catch



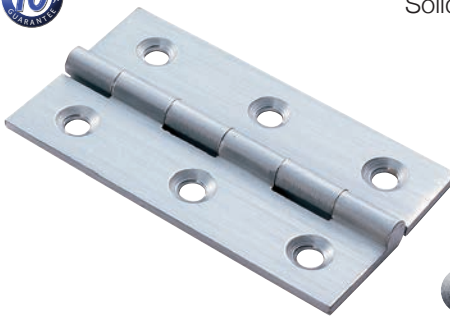
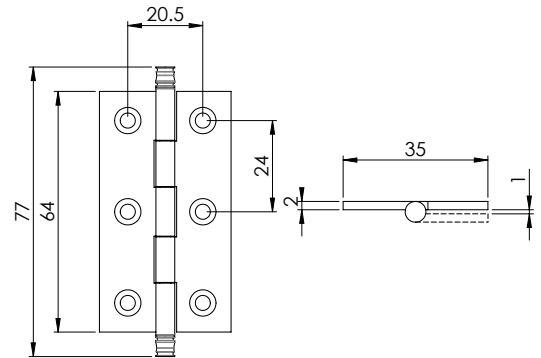
	A	B	C	D	E	F	G	H
FTD835A	42	32	13.5	14	34	34	14	4
FTD835B	56	47	13.5	14	58	48	15	4



FTD810
Brass H Pattern Hinge



FTD805D
Solid Brass Finial Cabinet Hinge



FTD800
Solid Brass Cabinet Hinge

FTD800C

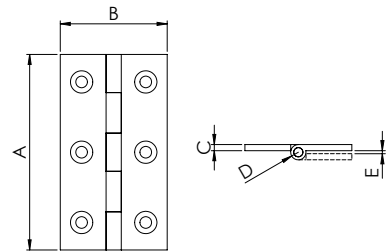


FTD800D

New



New



	A	B	C	D	E
FTD800C	28	50	1.5	5	1.5
FTD800D	35	64	2	5	1



New



CI000929
3D Adjustable Concealed Hinge



12Kg

Max loading 2 hinges

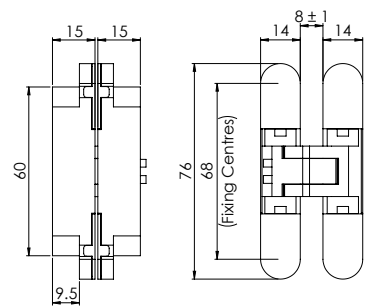
16Kg

Max loading 3 hinges

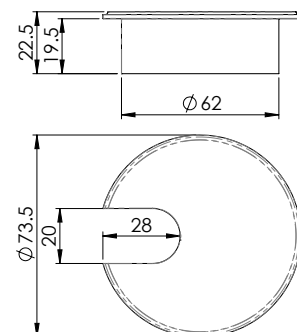
21Kg

Max loading 4 hinges

Matching hinges on P284-285



FTD855
Heavy Pattern Cable Tidy



H4.170.35.10
170 Degree Soft Close Hinge



H4.100.35.10
Full Overlay Soft Close Hinge



H4.100.35.20
Half Overlay Soft Close Hinge
H4.100.35.30
Inset Soft Close Hinge



P4.100.35.00
Mounting Plate

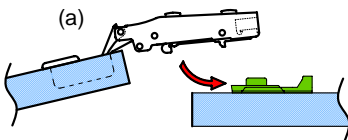


P4.100.35.02
Mounting Plate
P4.100.35.A00
Adjustable Plate

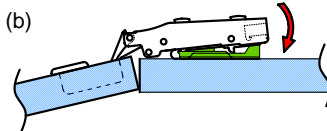


FITTING PROCEDURE

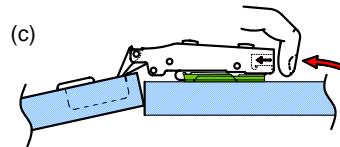
Clamp the hinge to the plate shown



Press down the hinge arm to lock the plate as shown as direction arrow in

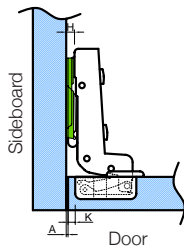


Disassembling shown as diagram (c) by pushing the clip button



OVERLAY CALCULATIONS FOR PLATE SECTION

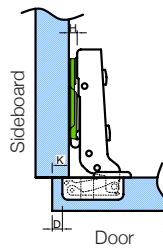
Inset
 $H=4.5+K+A$



Reveal Calculations

A \ K	3	4	5	6
0	1.5	0.5	-0.5	-1.5
2	3.5	2.5	1.5	0.5
4	5.5	4.5	3.5	2.5

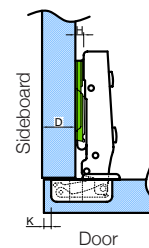
Half Overlay
 $H=5+K-D$



Overlay Calculations

D \ K	3	4	5	6
0	17	18	19	20
2	15	16	17	18
4	13	14	15	16

Full Overlay
 $H=14+K-D$

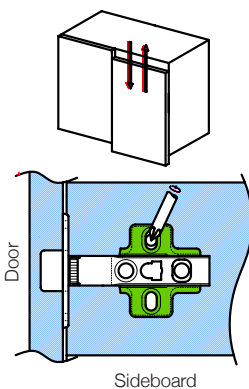


Overlay Calculations

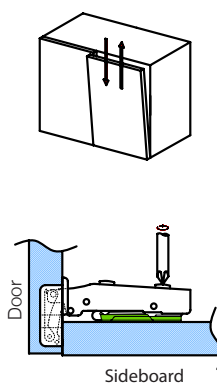
D \ K	3	4	5	6
0	8	9	10	11
2	6	7	8	9
4	4	5	6	7

ADJUSTMENT RANGE

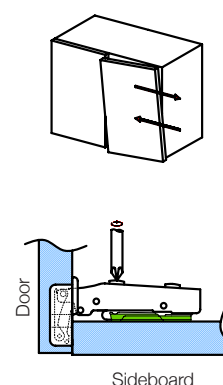
Height Adjustment



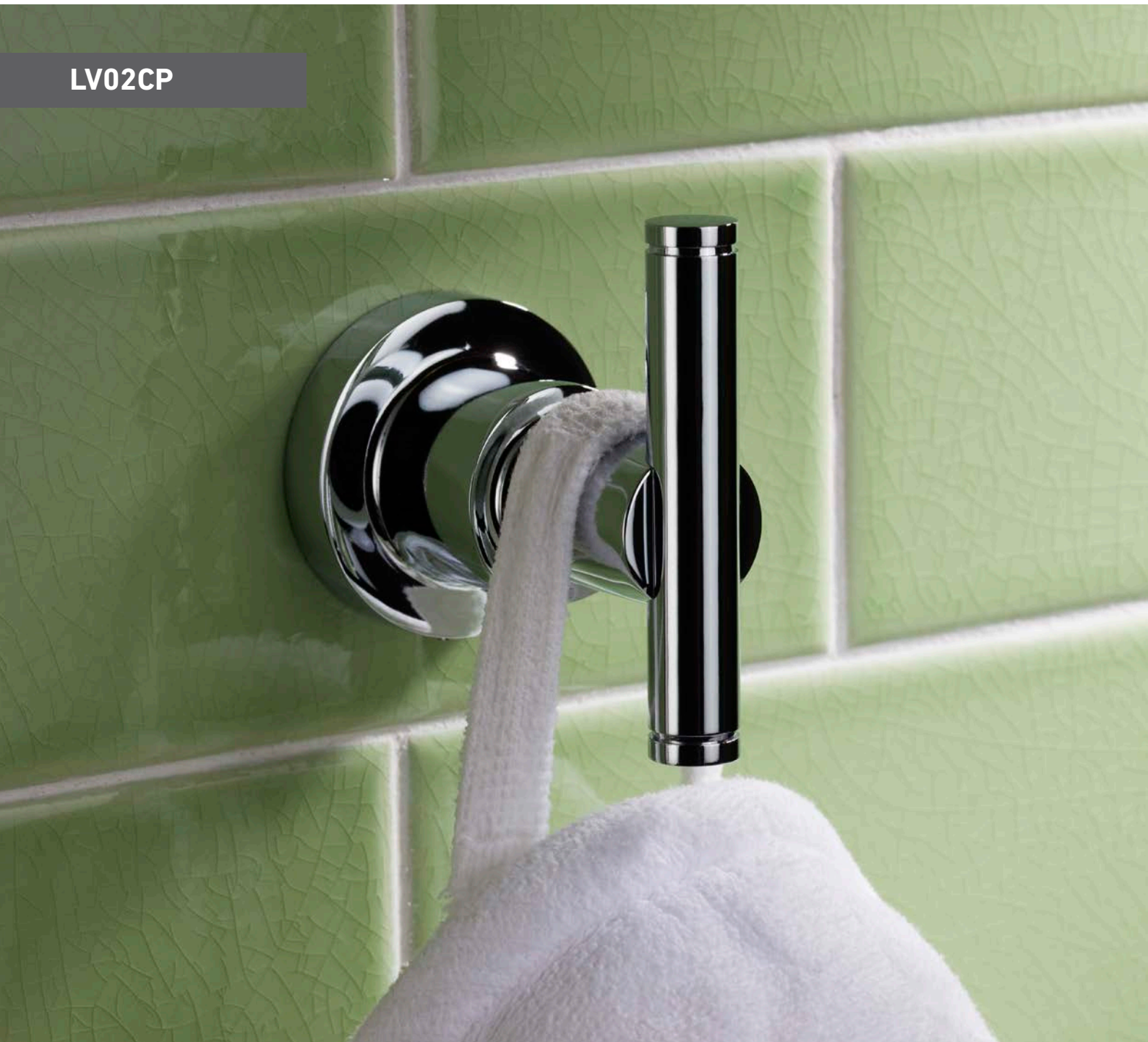
Depth Adjustment



Side Adjustment



LV02CP



Bathroom

Bathroom

Contemporary and traditional styles ◀

Designed to enhance any domestic environment ◀



LX22MB



LX Stainless Steel

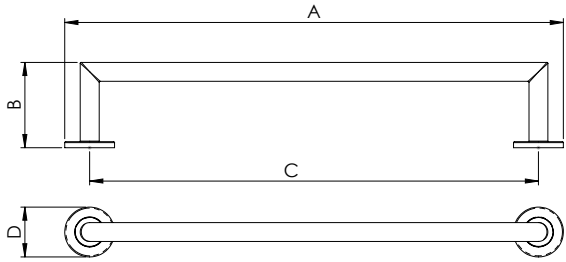
LX Stainless Steel



LX21
GRADE 316
Single Towel Rail



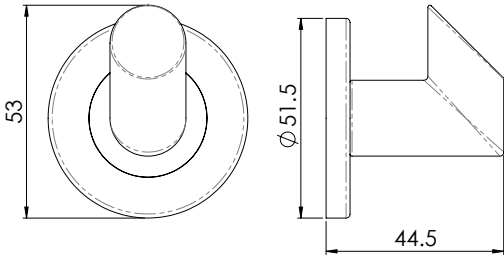
LX22



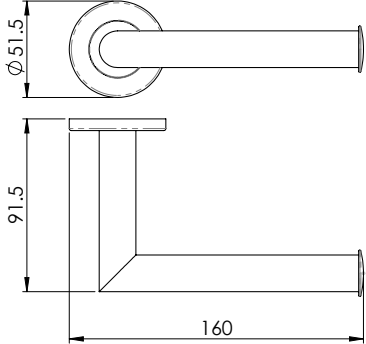
	A	B	C	D
LX21	450	85	400	51.5
LX22	650	85	600	51.5



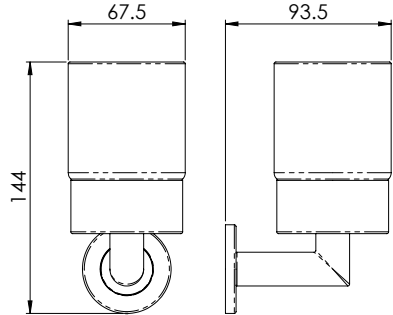
LX03
GRADE 316
Robe Hook



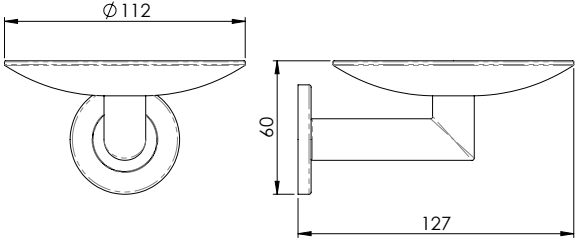
LX07
GRADE 316
Paper Holder



LX12
GRADE 316
Single Tumbler Holder

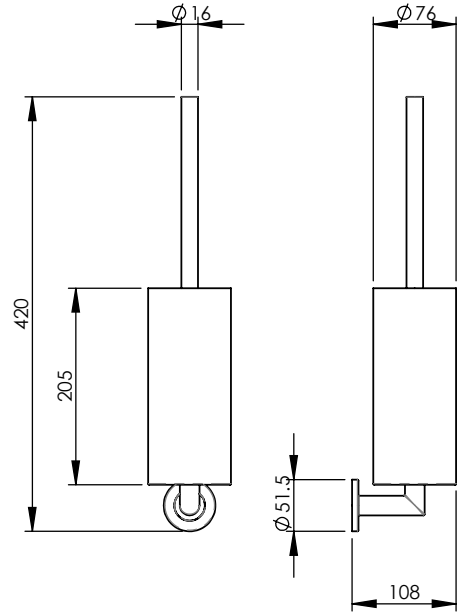


LX13
GRADE 316
Soap Dish

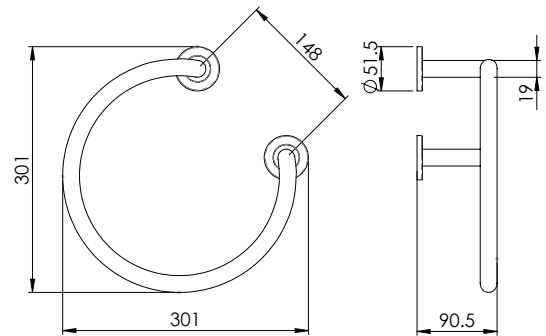




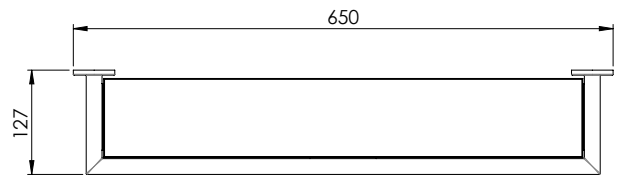
LX14
GRADE 316
Toilet Brush and Holder



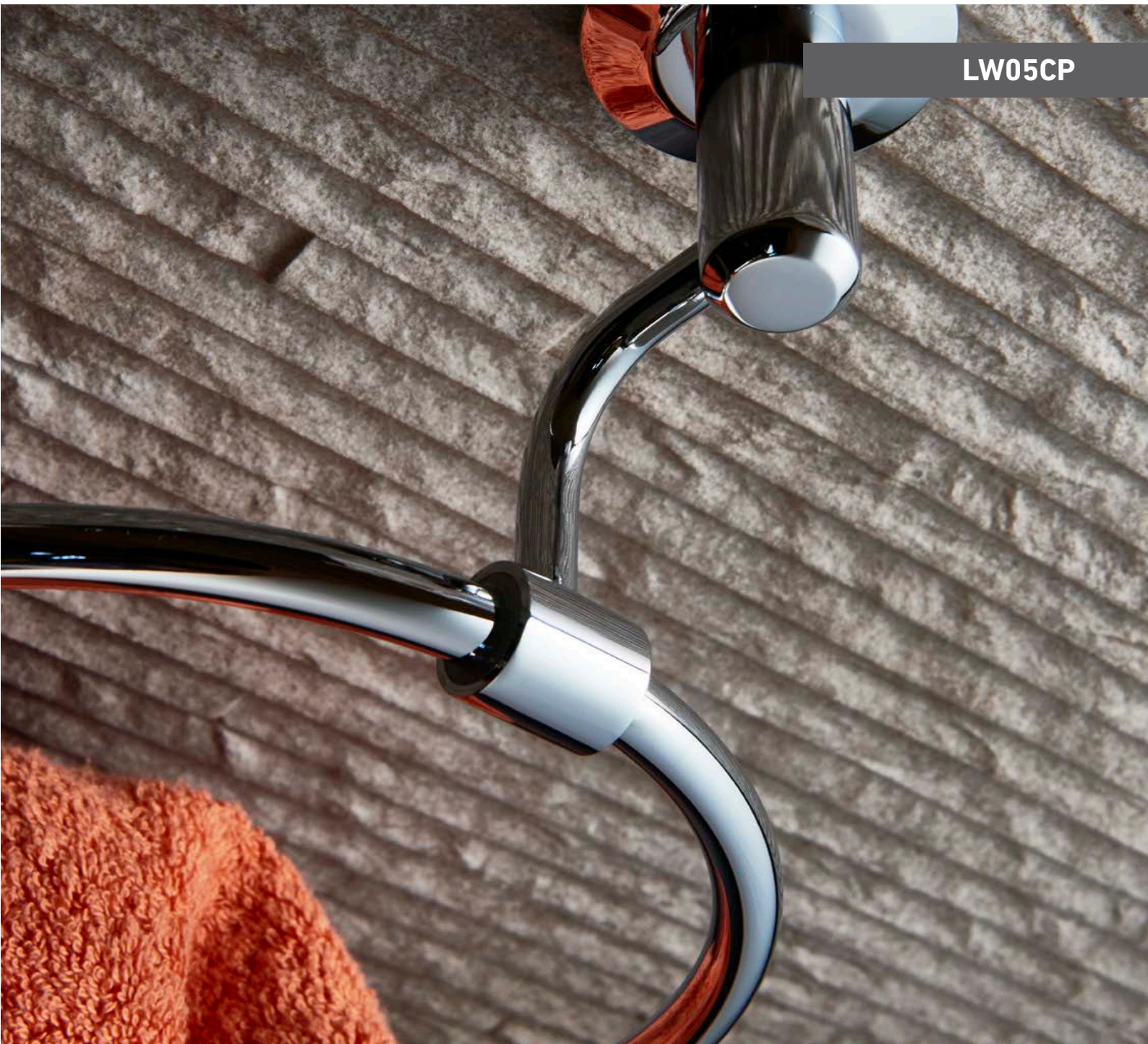
LX05
GRADE 316
Towel Ring



LX25
GRADE 316
Glass Shelf



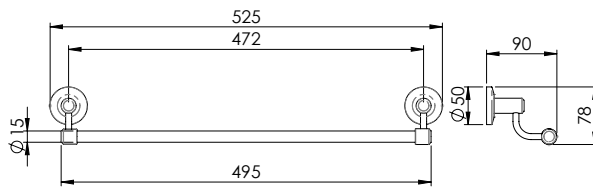
LW05CP



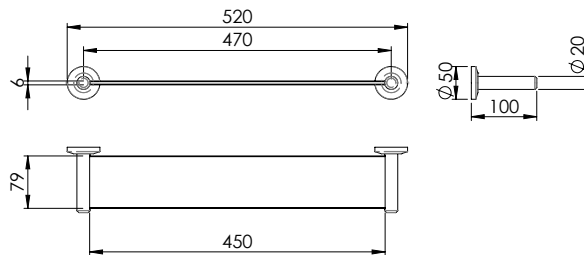
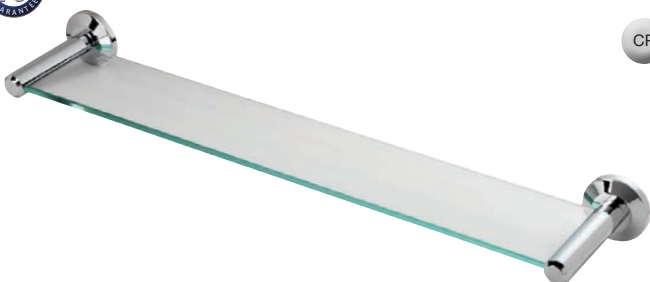
LW Tempo



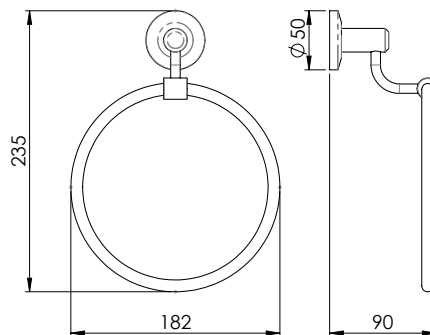
LW21
Single Towel Rail



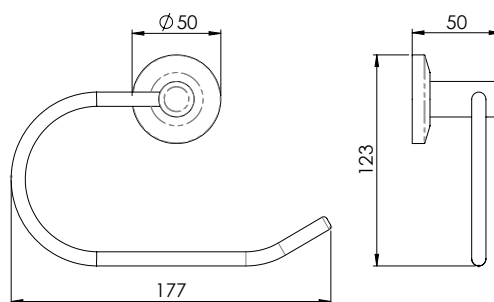
LW24
Glass Shelf



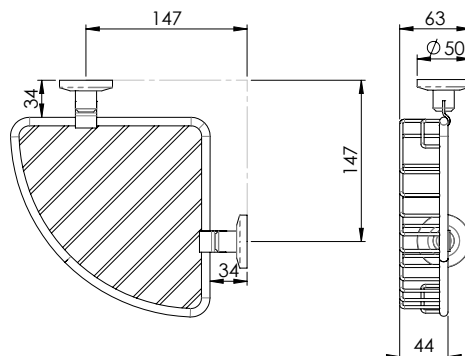
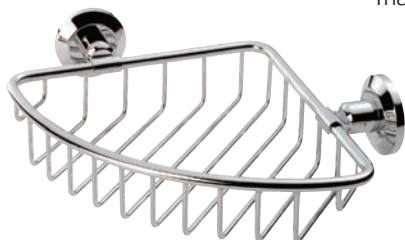
LW05
Towel Ring



LW07
Paper Holder

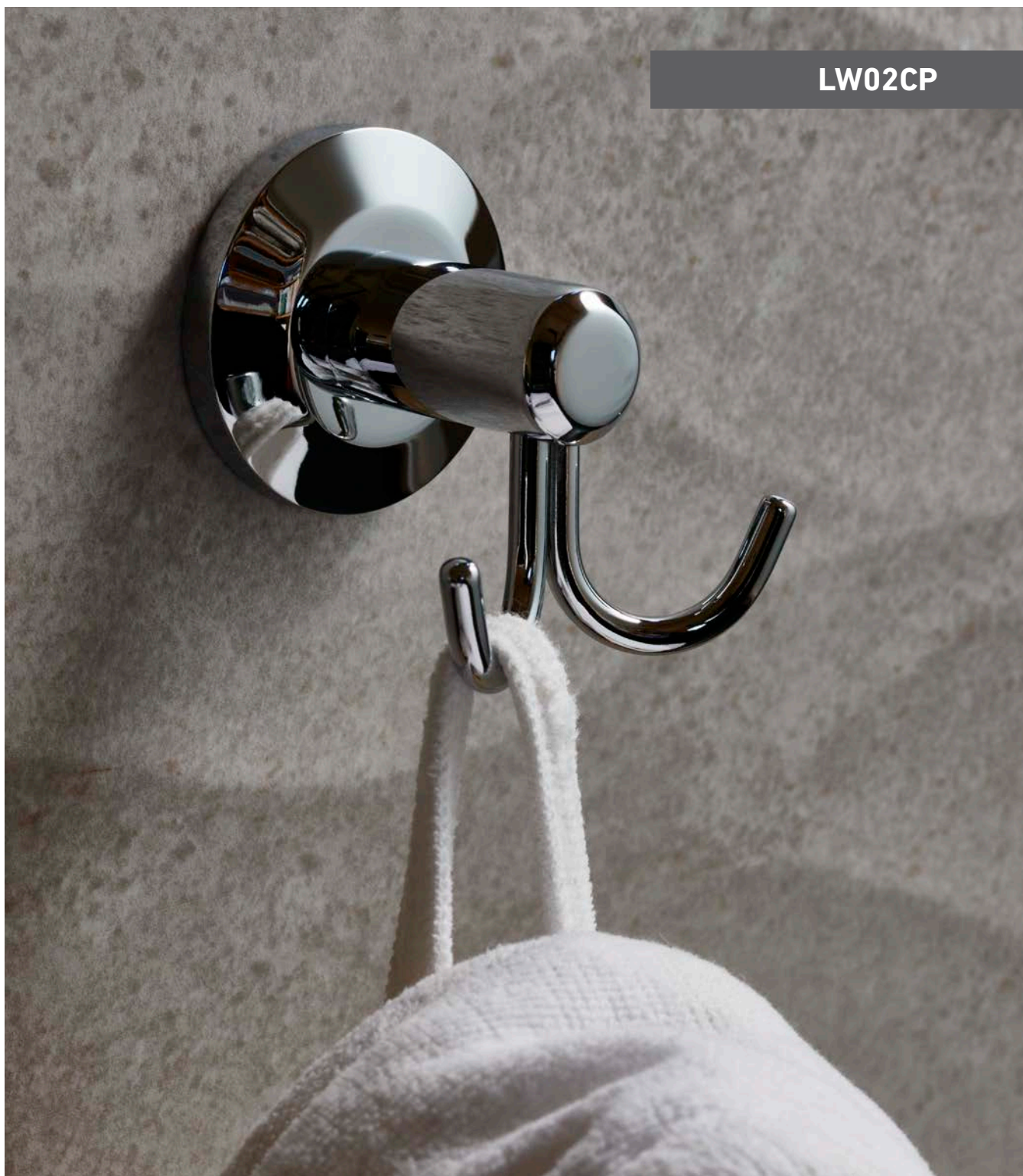
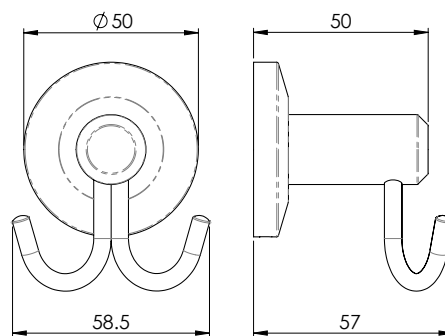


LW17
Triangular Soap Tray





LW02
Double Robe Hook



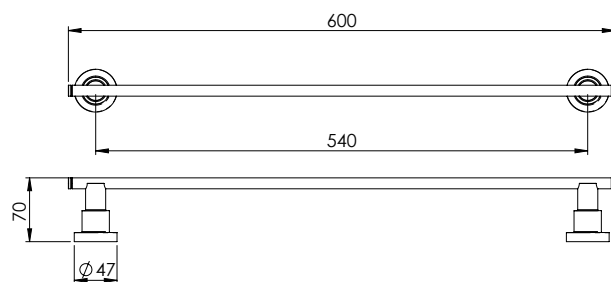
LV07CP



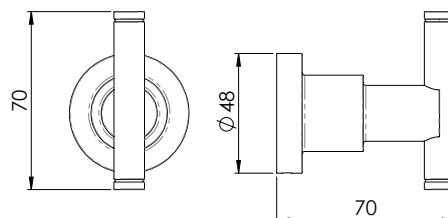
LV Mezzo



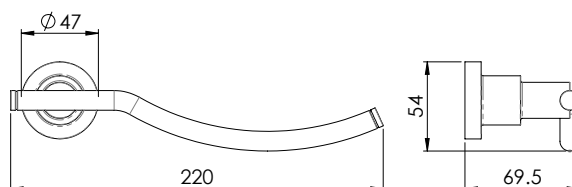
LV22
Single Towel Rail



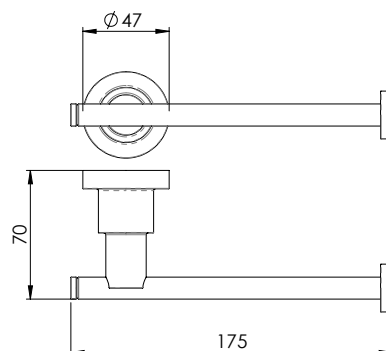
LV02
Robe Hook



LV05
Towel Bar



LV07
Paper Holder



Grub Screws:

SP25	Standard (goes with AQ, SZS, DL and Serozzetta on round rose)
SPGS	DK Range
AGW1000	Eurospec handles

Screws:

ALB1001	Bolt fixing M3x61mm with cut downs for SWL/SSL levers (2pcs/bag)
SPS	M4 x 70mm crew, all finishes. To suit SZC on rose, DL461 and Andros - DL181, 381
SS6	No. 6 x 3/4" counter sunk screw - used on all Lever on back plate handles Available in all finishes and would be written SSCP6, SSSC6 etc
SCP10	Screw counter sunk – Pozi drive to suit HDSSW5CP
SCP8	Screw counter sunk – Pozi drive to suit HDSSW2CP
SPB8	Screw counter sunk – Pozi drive to suit HDPBW21
SPB10	Screw counter sunk – Pozi drive to suit HDPBW61
ASS1019	Wood pack to suit HIN hinges

Spares:

SP104 and SP104L	(spare turns for bathroom furniture on back plate), available in all finishes
SP4M	Spare springs to suit all handles except for LF Range
SP6T	Taylor spindle
SP6T1	Taylor spindle
SP7M	Spindle to go with levers 8mm x 100mm
SP7L140S	Spare spindle 8mm x 140mm long
ALS1002H	Steelwork Heso spindle 120mm (CSL, SSL and SWL)
SP18	Spare fixing pack to suit AQ round rose furniture and EUL lever on rose
FIX4000	Fixing packs to suit 4, 6 and 9 range of Aluminium
FIX9113	Fixing packs to suit LRS and ZIN lever furniture
FIXCSL	Fixing pack to suit all CSL furniture
FIXSSL	Fixing pack to suit all SSL levers
ATS1000	Thumbturn sleeve 5-8mm
AHB1000ZP	ZP hinge bolt (set of 2)
ALS5100	Spindle 5mm x 100mm long
ASH5000	Heavy spring to suit Easi T architectural locks
WF14	Pin for flush fitting sash all finishes
WF15	EJMA pin all finishes
SP44	Spare bolt for cupboard knob (M4 x 23mm)
SP44A	2 x spare bolt for cupboard knob (M4 x 18mm)
SP45	Spare bolt for cupboard knob (M4 x 25mm)
SP47	Spare bolt for cupboard knob (M4 x 62mm)



Commercial hardware from Carlisle Brass.

Products include:

- Door handles
- High specification hinges
- Door controls
- Locks and latches
- Cylinder locks
- Outdoor security
- Panic and emergency exit hardware
- Intumescent fire protection and acoustic sealing systems

Carlisle Brass Ltd. is an ISO 9001 and ISO 14001 certified company, which means that Eurospec branded products are fully traceable from point of manufacture to customer and that the environmental impact is being constantly measured and improved.

Accredited products carrying the Eurospec brand are stringently tested to ensure they comply to the latest regulations, which makes Eurospec branded products the ideal choice for the professional installer, architect or specifier.



Certificate Number: 7287



Certificate Number: EN 1165



SW4150SSS



Grade 4

Grade 4 Levers on Rose

- Comprehensive and industry leading range of sprung door furniture
- Perfect for nursing and residential homes, hospitals, schools and hotels
- Ideal where doors are subject to frequent and vigorous usage
- 25 year mechanical guarantee reflecting the use of the highest quality GRADE 316 stainless steel
- Independently tested to severe Grade 4 under BS EN 1906
- Levers are suitable for use to BS8300 - 2:2018 guidelines
- Product is tested to 1080 hours of corrosion protection
- Features thread locked fixings, case-hardened spindle and cup-point grub screws to ensure strong fixing

BS EN 1906:2012 is the European standard covering the performance requirements and test methods (i.e. durability, static strength, operating torque, corrosion, safety, etc.) for sprung and unsprung lever handles and knobs for doors on backplates or roses. It applies only to lever handles and knobs that operate a lock or latch. The standard has 4 grades of performance. Compliance with the standard ensures a margin of strength in excess of that needed for normal operation. The standard has additional graded safety requirements where a high risk of failing exists.

Digit 5 - Safety

Grade 0: Normal use
 Grade 1: Safety application – to qualify for this grade, handles must have high strength handle to plate and plate to door fixing, and/or handle to spindle fixing, such that they would withstand a person grabbing in order to prevent falling.

Digit 1 - Category of Use

Grade 1: Medium frequency of use with a high incentive to exercise care and small chance of misuse.
 Grade 2: Medium frequency of use with some incentive to exercise care but there is some chance of misuse.
 Grade 3: High frequency of use by public or others with little incentive to exercise care and with a high chance of misuse.
 Grade 4: High frequency of use on doors which are subject to frequent violent use.

Digit 6 - Corrosion Resistance

Grade 0: No defined corrosion resistance
 Grade 1: Mild resistance – minimum requirement for internal use.
 Grade 2: Moderate resistance.
 Grade 3: High resistance – minimum resistance for external use.
 Grade 4: Very high resistance- recommended for use in exposed marine atmospheres or very polluted industrial environments.
 Note: Products intended to develop a natural patina (bronze or brass) are not required to comply with any requirements.



Digit 2 - Durability

Grade 6: Medium use – 100,000 cycles
 Grade 7: High use – 200,000 cycles

Digit 3 - Test Door Mass

No requirement

Digit 4 - Fire Resistance

Grade 0: No performance determined.
 Grade A: For use on smoke control doors.
 Grade A1: For use on smoke control doors, tested with 200,000 cycles on a test door.
 Grade B: For use on smoke control and fire resistant doors.
 Grade B1: For use on smoke control and fire resistant doors, tested with 200,000 cycles on a test door.
 Grade C: For use on smoke control and fire resistant doors with requirements for fire protection inlays in backplate, rose and escutcheon.
 Grade C1: For use on smoke control and fire resistant doors with requirements for fire protection inlays in backplate, rose and escutcheon, tested with 200,000 cycles on a test door.

Note: Grades B or C means that the furniture has been included in at least one fire/smoke door test. This is not an indication that the furniture can be used on any fire/smoke door.

Digit 7 - Security

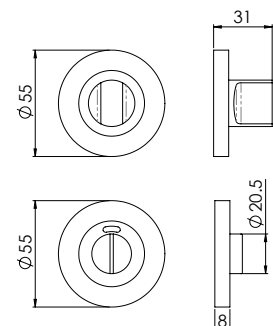
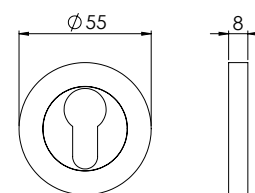
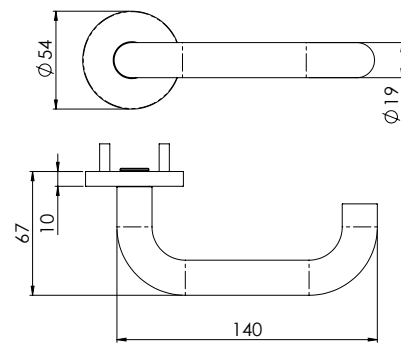
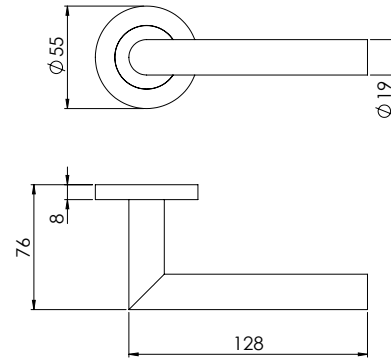
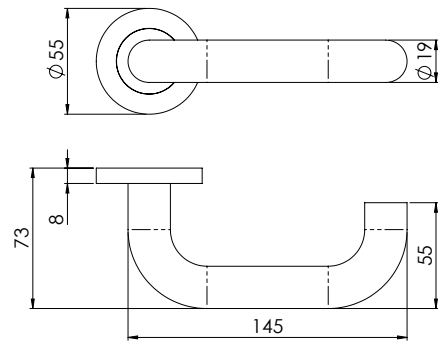
Grade 0: Not approved for use on burglary resistant doors.
 Grade 1: Mild burglary resistance.
 Grade 2: Moderate burglary resistance.
 Grade 3: High burglary resistance.
 Grade 4: Extra high burglary resistance.

Note: The main requirements include drilling, close fitting plates or escutcheons to help protect the lock and support the cylinder.

They must be resistant to removal from the outside of the door and make provision to minimise the cylinder protection to a minimum of 3mm. Full details can be found within BS EN 1906.

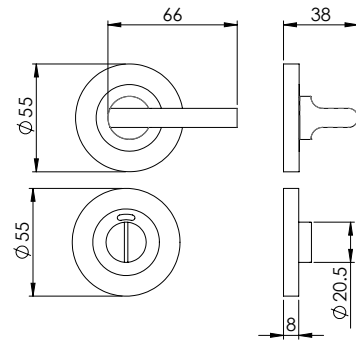
Digit 8 - Type of operation

Type A: Spring assisted furniture
 Type B: Spring loaded furniture
 Type U: Un-sprung furniture

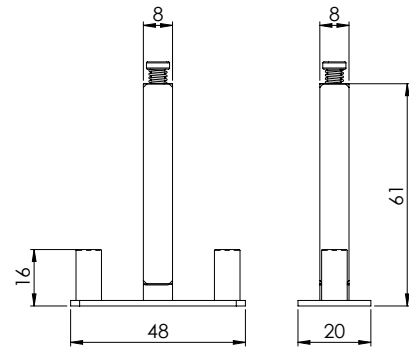


SWT4107-I
Thumbturn & Release
With indicator

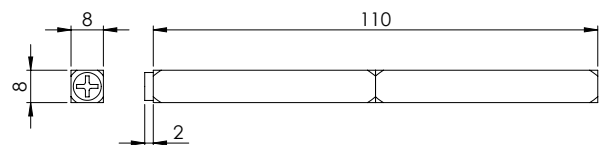
SSS



ALP5038
Half set fixing plate for
bolt through furniture



ASS5100
Special split spindle
with locking feature



SWL1116SSS



Grade 304

Grade 304 Levers on Rose

- Stylish architectural quality levers on round and square rose
- 10 year mechanical guarantee
- Fire door rated
- Suitable for domestic and commercial environments

SWL

- GRADE 304 architectural quality levers for use on fire rated and smoke protection doors to BS EN 1634
- 7mm concealed threaded roses and secure heso spindle fixing
- Matching accessories to complete the look

SSL

- GRADE 304 architectural quality levers for use on fire rated and smoke protection doors to BS EN 1634
- 8mm square concealed roses and secure heso spindle fixing
- Matching accessories to complete the look

CSL 6mm

- GRADE 304 architectural quality levers for use on fire rated and smoke protection doors to BS EN 1634
- Slim fit 6mm rose door handles, following latest market trends of simple interior designs
- Stainless steel inner rose and secure heso spindle fixing
- Packed in boxes designed to save space and reduce transport costs
- Matching accessories to complete the look

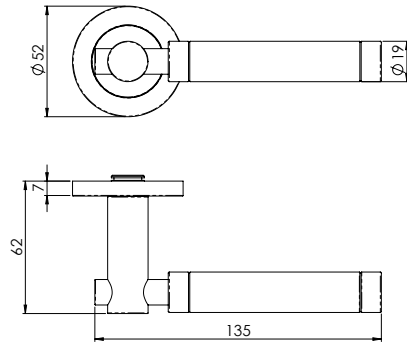
SWL1006DUO



SWL Grade 304

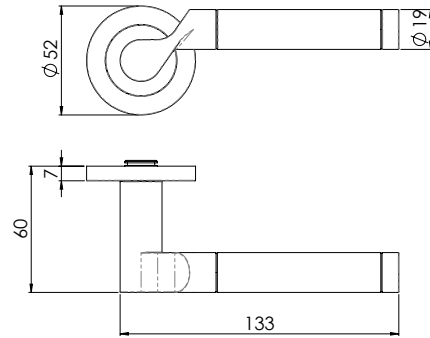
SWL1006DUO
Astoria

BSS/
SSS



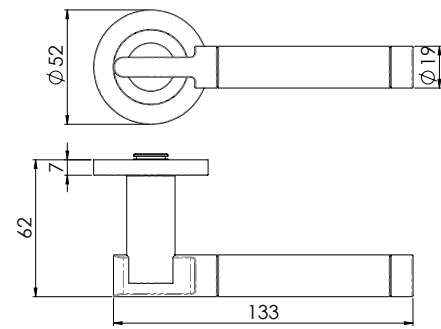
SWL1009DUO
Lucerna

BSS/
SSS



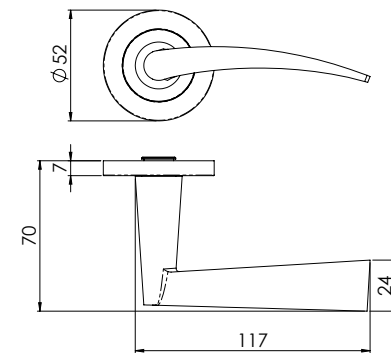
SWL1010DUO
Berna

BSS/
SSS



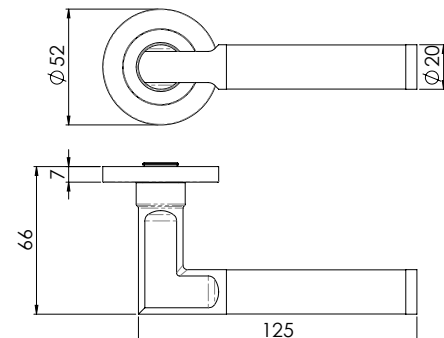
SWL1116
Volantes

SSS



SWL1118
Carbon

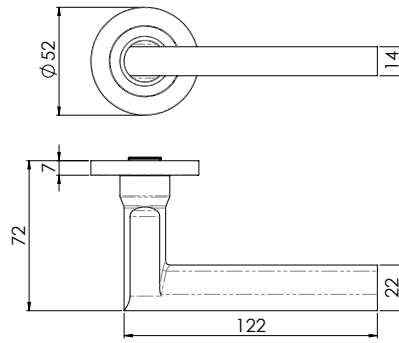
SSS





SWL1120
Soho

SSS

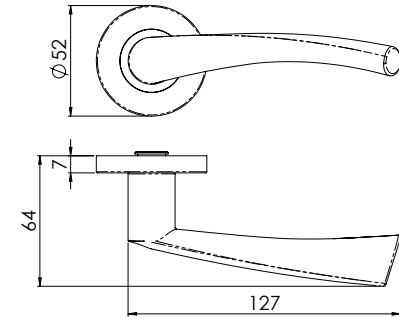


SWL1121
Breeze

New

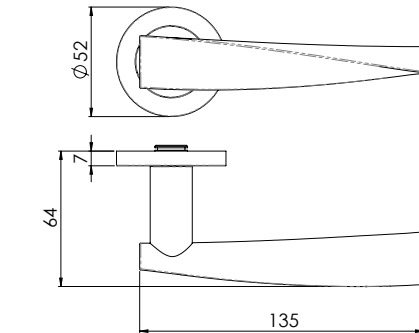
MB

SSS



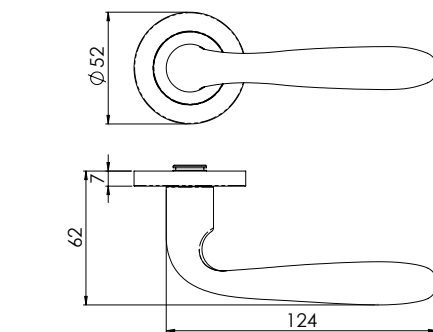
SWL1122
Brema

SSS



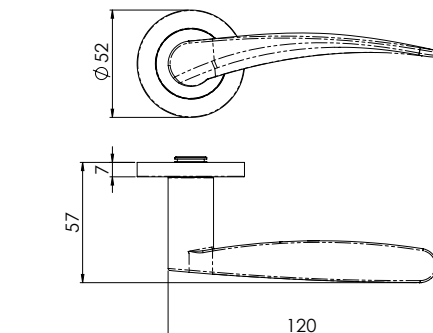
SWL1127
Peninsula

SSS



SWL1131
Tirolo

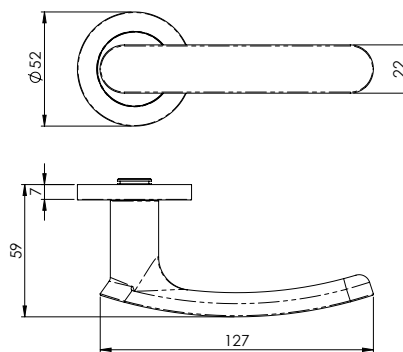
SSS





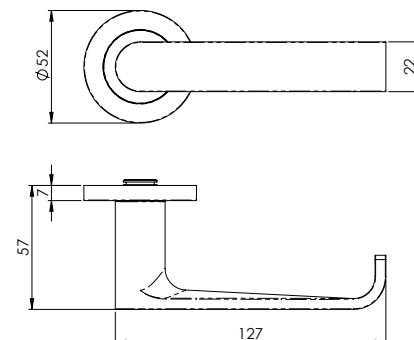
SWL1132
Berlin

SSS



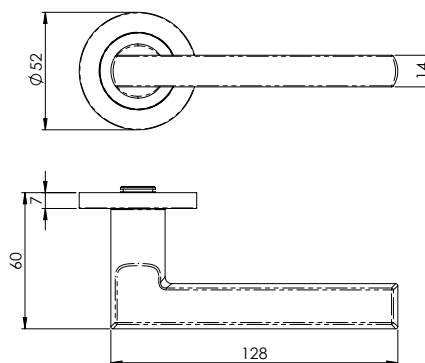
SWL1133
Zurigo

SSS



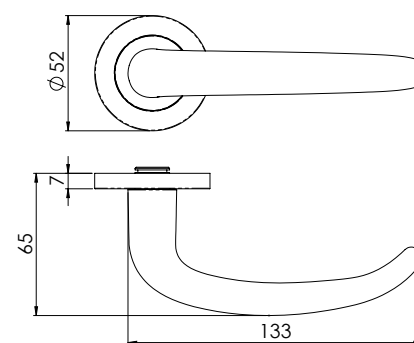
SWL1134
Carlton

SSS



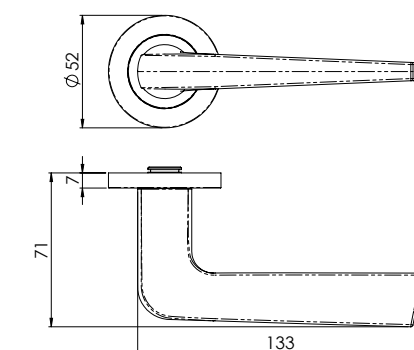
SWL1135
Luenza

SSS



SWL1160
Plaza

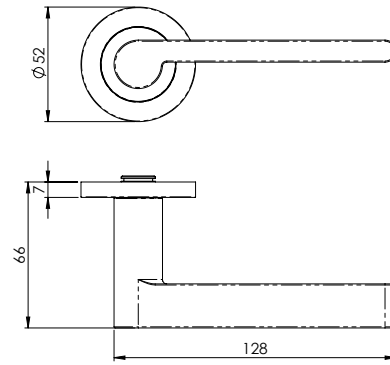
SSS





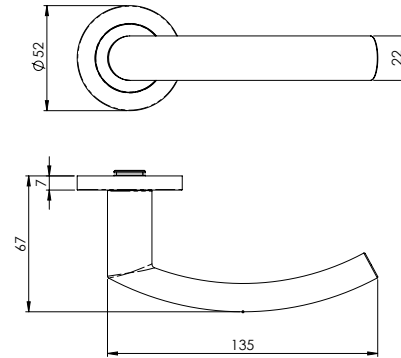
SWL1161
Lubecca

SSS



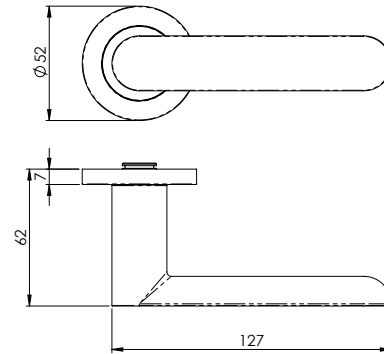
SWL1165
Scimitar

SSS



SWL1168
Parigi

SSS

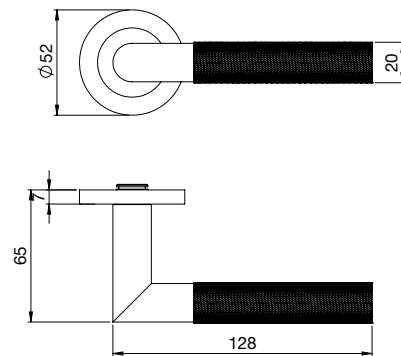


New



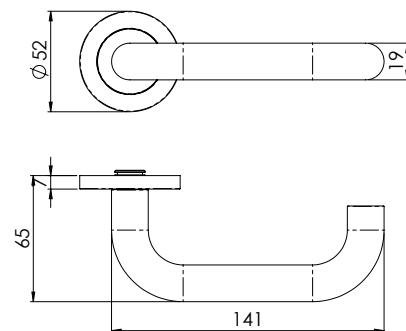
SWL1169
Crown

MB SPVD SSS



SWL1190
Nera

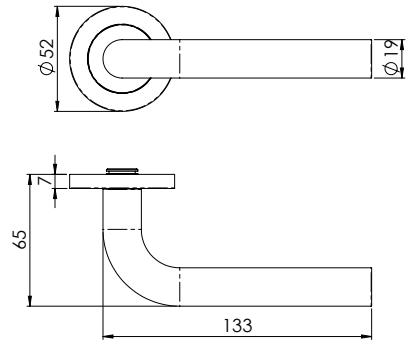
New
MB SSS





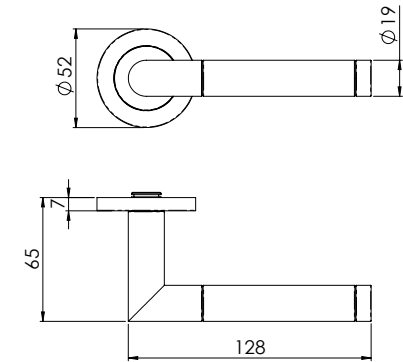
SWL1191
Spira

SSS



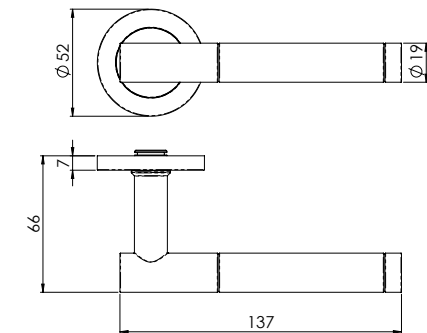
SWL1192
Treviri

BSS/SSS SSS



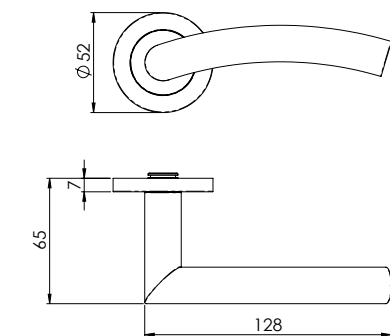
SWL1194
Philadelphia

BSS/SSS SSS



SWL1196
Dresda

SSS



SWL102
Euro Escutcheon

New New

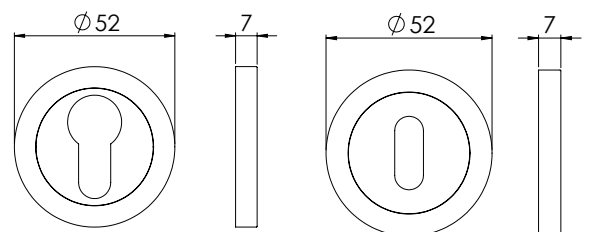
BSS BSS/SSS MB SPVD SSS

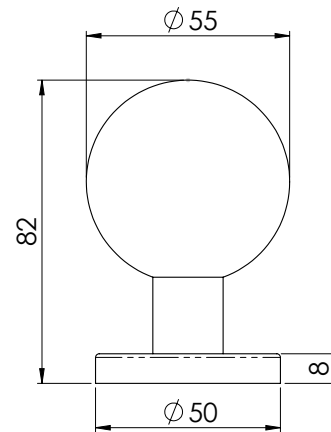
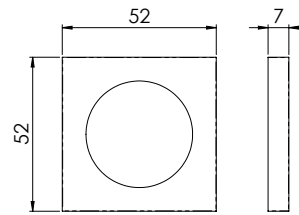
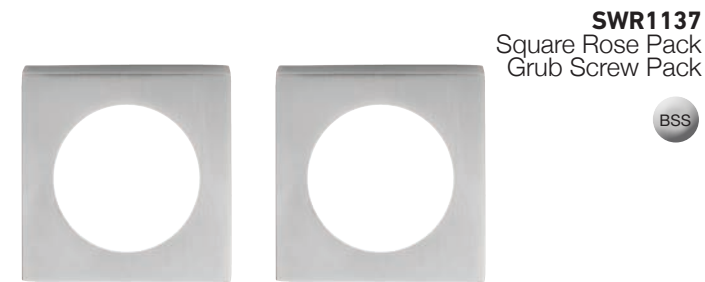
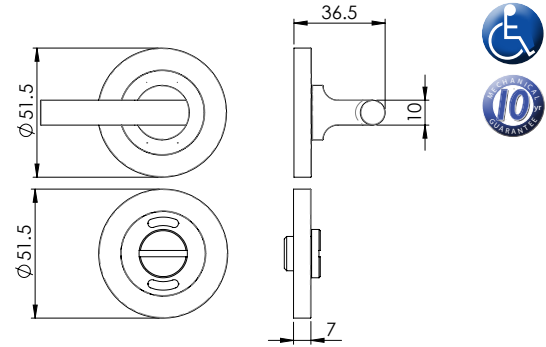
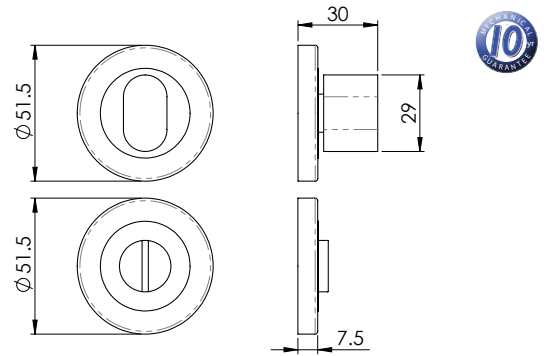


SWL103
Lock Escutcheon

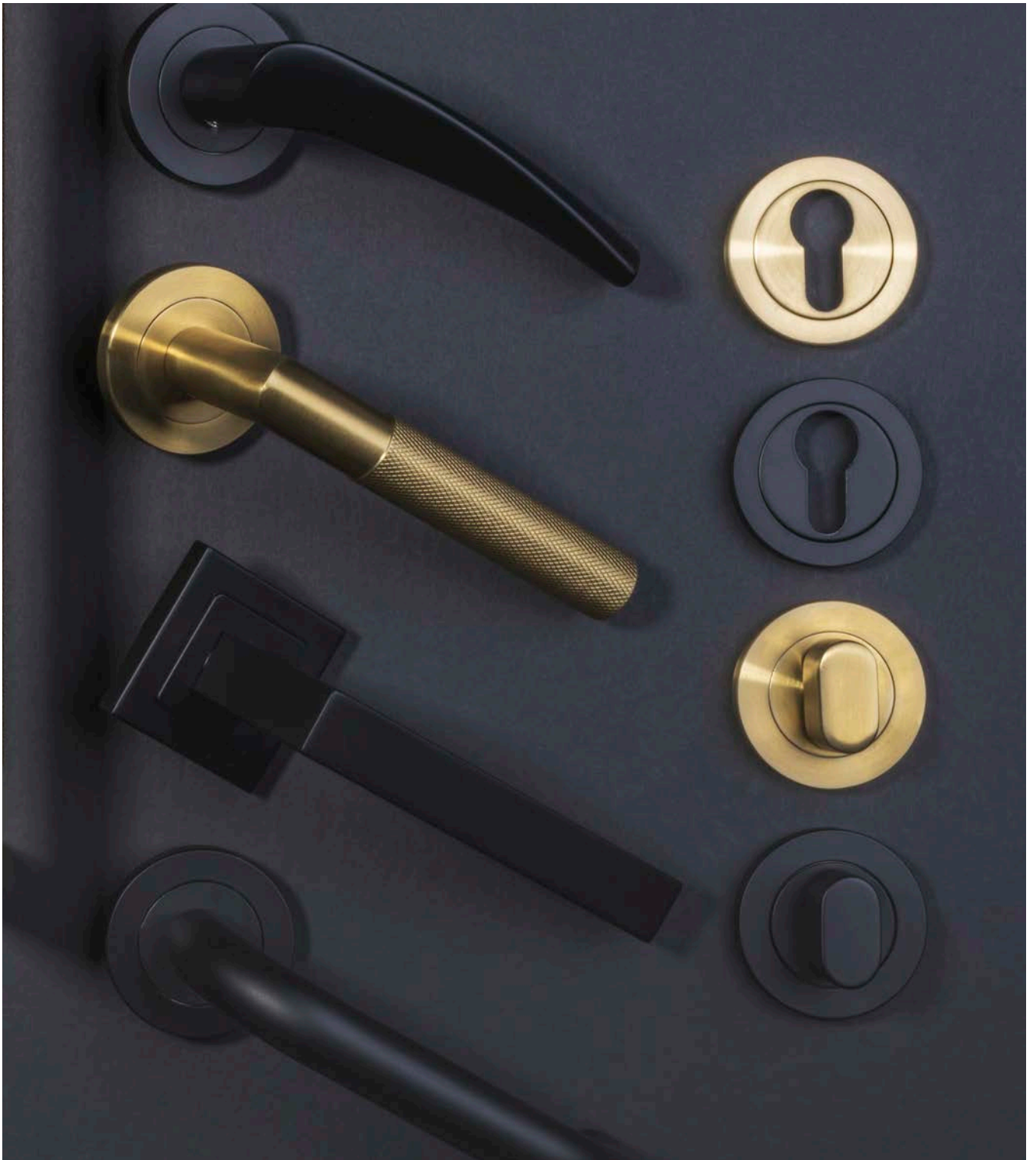
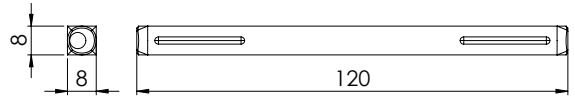
New New

BSS BSS/SSS MB SPVD SSS





ALS1002H
Heso spindle



SSL1401MB

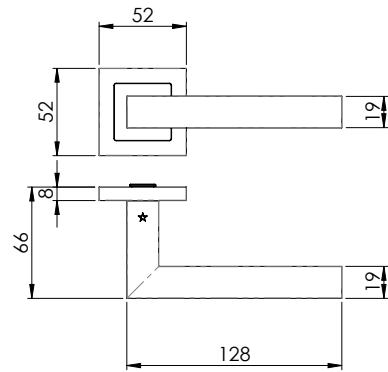


SSL Grade 304



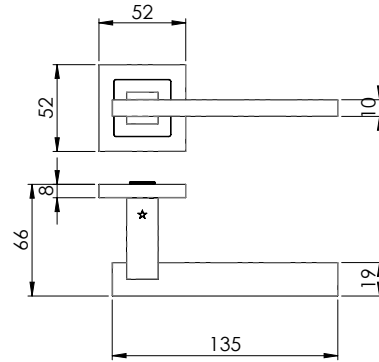
SSL1401
Alvar

New
MB SSS



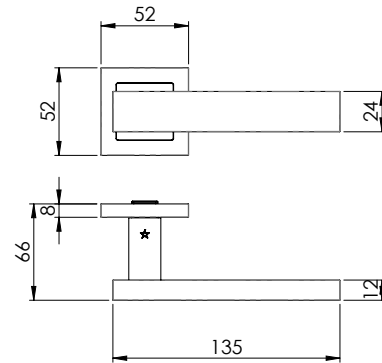
SSL1402
Tange

SSS



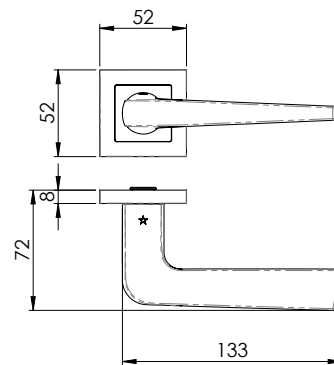
SSL1403
Carla

SSS



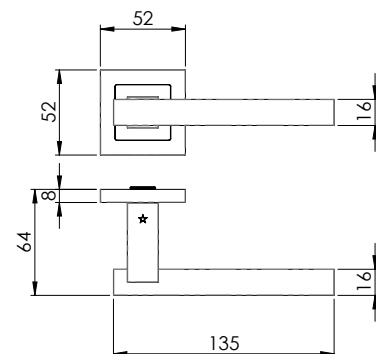
SSL1404
Plaza

SSS



SSL1405
Renzo

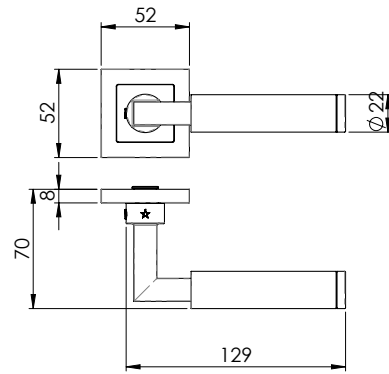
BSS/
SSS





SSL1406
Fagus

BSS/
SSS



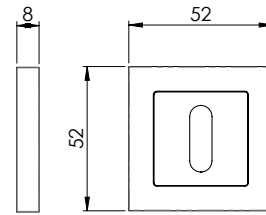
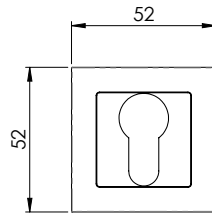
SSE1405MB
Euro Escutcheon

New
BSS/
SSS MB SSS



SSP1405SSS/DUO
Lock Escutcheon

BSS/
SSS SSS



(Duo versions supplied with both a duo and satin inner to allow for a single or dual finish)



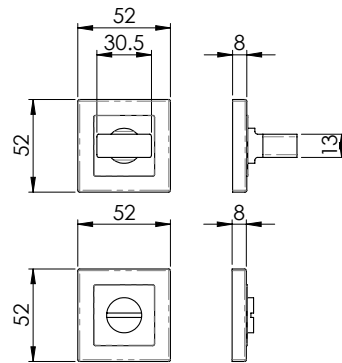
SST1415
Thumbturn & Release

New
BSS/
SSS MB SSS



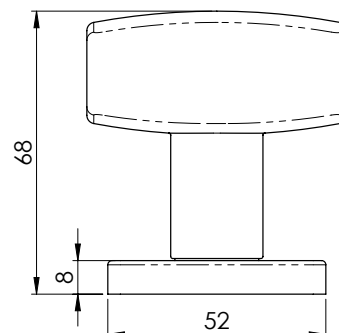
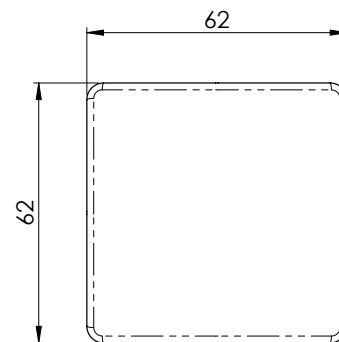
SST1415-I
With Indicator

SSS



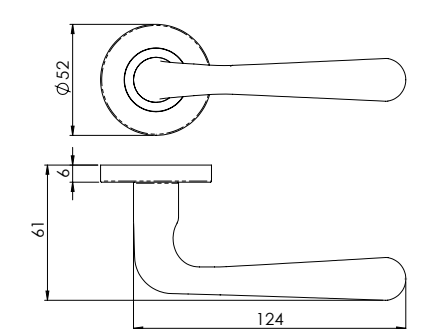
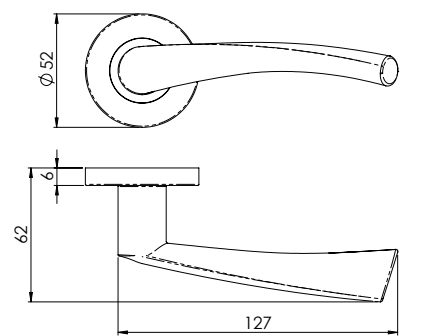
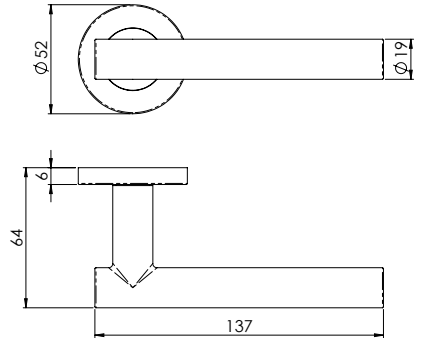
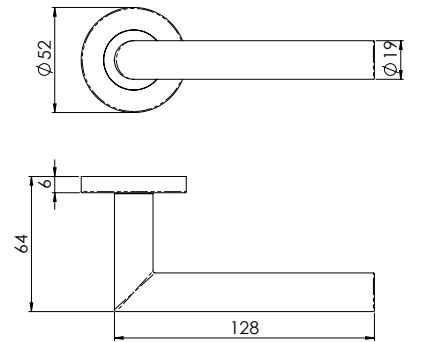
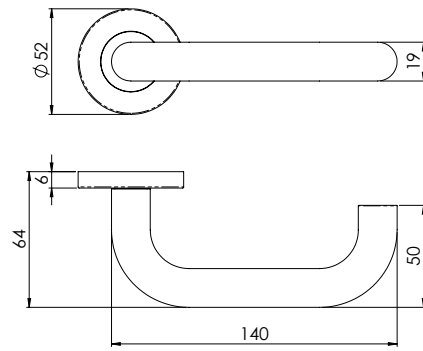
SSK1062
Square Knobset
Sprung

SSS





CSL 6mm Grade 304

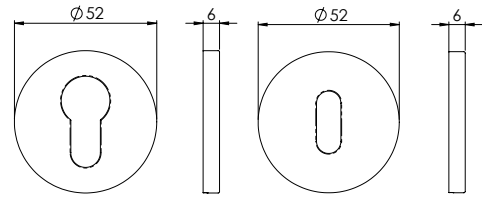




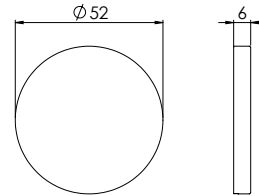
CSE1006
Euro Escutcheon



CSP1006
Lock Escutcheon



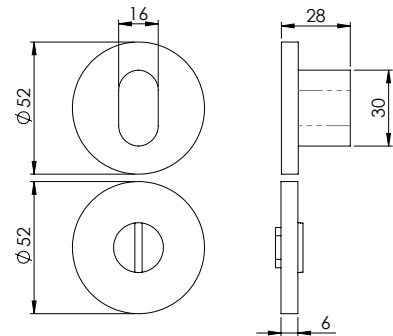
CSB1006
Blank Escutcheon



CST1018
Thumbturn & Release
With indicator



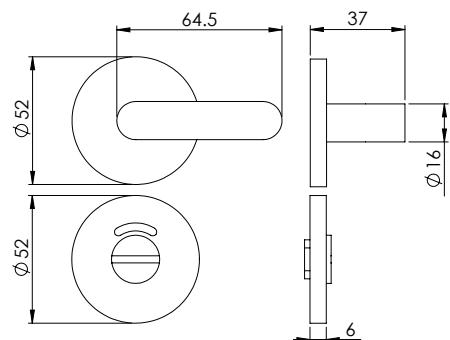
c/w spare non indicator rose



CST1028
Thumbturn & Release
With indicator



c/w spare non indicator rose



CSL1194SSS



CSL Grade 304

CSL Grade 304 Levers on Rose

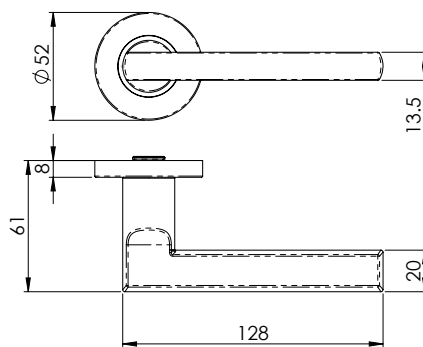
- Architectural quality sprung levers on round rose
- 10 year mechanical guarantee
- Fire door rated
- Suitable for domestic and commercial use
- Manufactured using architectural GRADE 304 stainless steel
- 8mm concealed, zinc plated inner roses
- Accessories available to suit the range





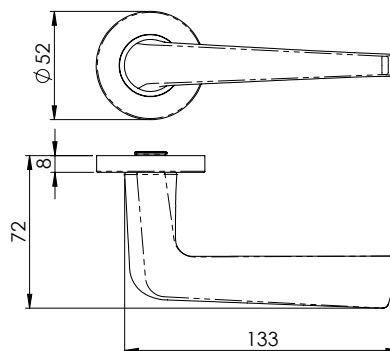
CSL1134
Carlton

SSS



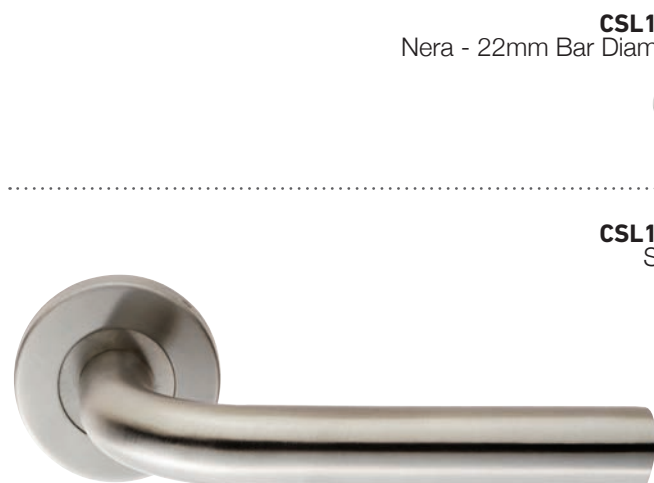
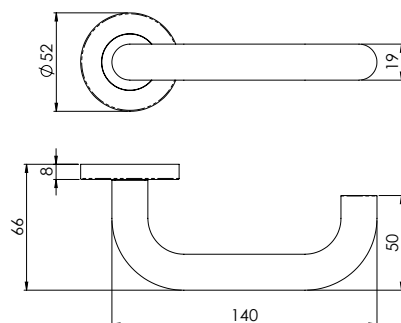
CSL1160
Plaza

SSS



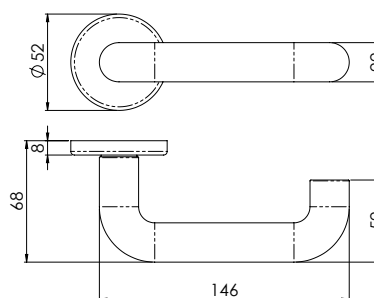
CSL1190
Nera - 19mm Bar Diameter

BSS SSS



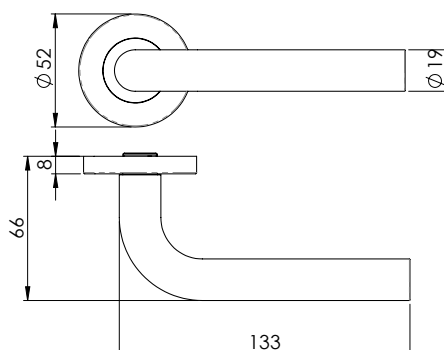
CSL1220
Nera - 22mm Bar Diameter

SSS



CSL1191
Spira

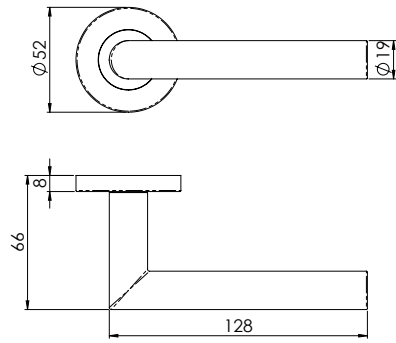
SSS





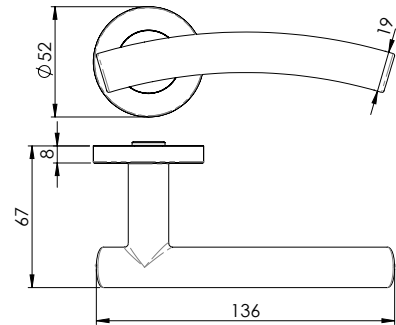
CSL1192
Treviri

BSS SSS



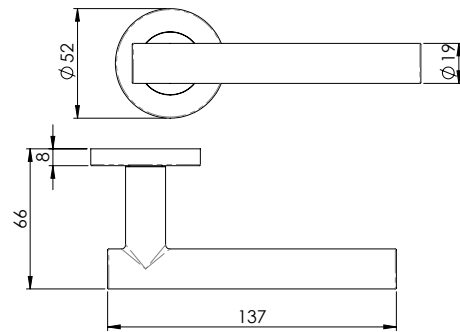
CSL1193
Curved

BSS SSS



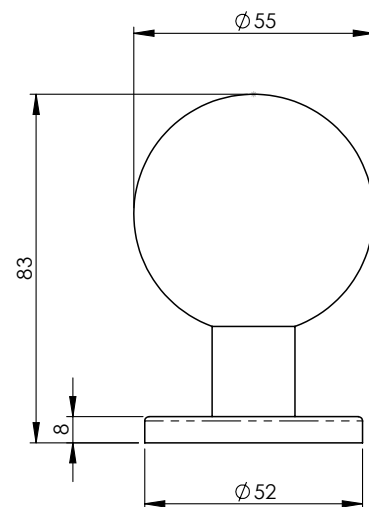
CSL1194
Philadelphia

BSS SSS



CSK1058
Mortice Knob
on Sprung Rose

BSS SSS





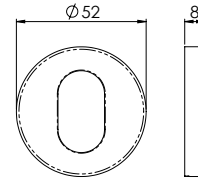
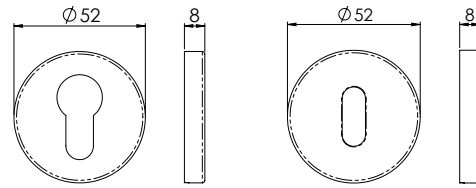
CSE1005
Euro Escutcheon



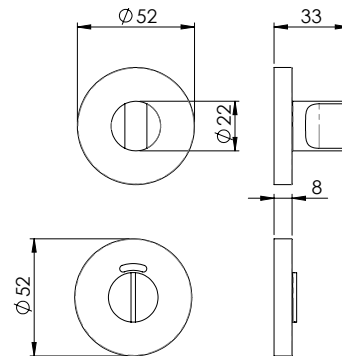
CSP1005
Lock Escutcheon



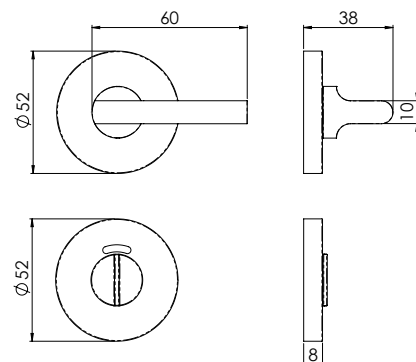
CSU1005
Oval Escutcheon



CST1015
Thumbturn & Release
With indicator
c/w spare
non indicator rose



CST1025
Thumbturn & Release
With indicator
c/w spare
non indicator rose





Levers on Backplate

Grade 316 Levers on Backplate

The entire product is of GRADE 316 architectural quality; lever, cover, inner and cam to withstand frequent and vigorous use

Perfect for retro-fit jobs

Secure heso spindle and bolt through fixings

Available in euro and DIN centres

25 year mechanical guarantee

Fire rated

Performance tested to 200,000 cycles

Made to last whatever the weather

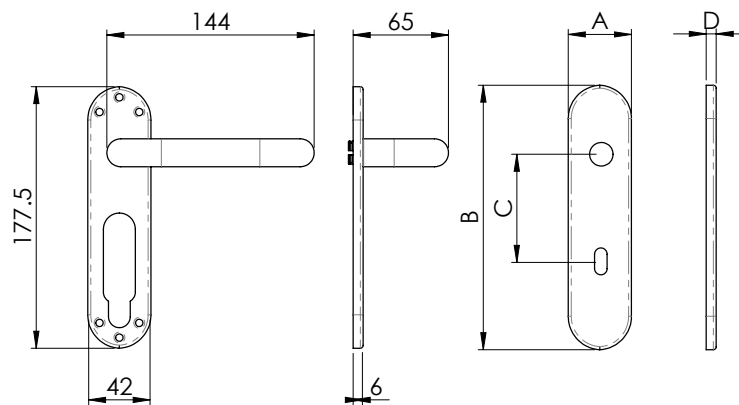
Suitable for residential and commercial use



SWLP123
Safety Lever on Inner Plate



SWLP123 + SWOB



			A	B	C	D
SWOB	Latch Plate		45	180	N/A	7
SWOE	Euro Plate - 47.5 c/c		45	180	47.5	7
SWOT-I	UK Bathroom Plate - 57 c/c & Turn		45	180	57	7
SWOP	Lock Plate		45	180	57	7
SWOE/72	Euro Plate - Din 72 c/c (Suitable for use with DIN lock)		45	180	72	7
SWOT-I/78	Bathroom Plate - Din 78 c/c (Suitable for use with DIN lock)		45	180	78	7

CSL1164BBSS



201 Face Fix Levers on Backplate

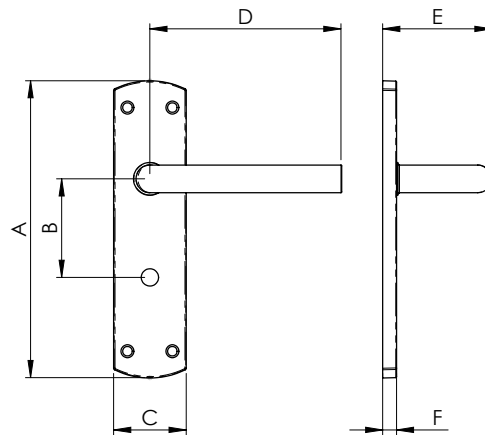
Grade 201 Levers on Backplate

- 10 year mechanical guarantee
- Suitable for domestic and commercial use
- Manufactured using architectural GRADE 201 stainless steel
- Pair with our CSL range to match lever designs throughout the project



CSLP1162B
Mitred on Latch Backplate

BSS SSS



CSLP1162P
Lock

CSLP1162E
Euro

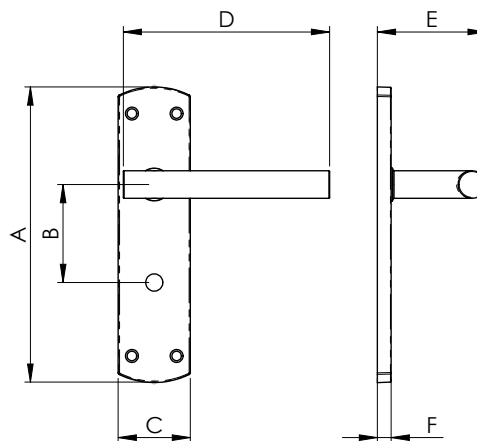
CSLP1162T
Bathroom



	A	B	C	D	E	F
CSLP1162E	172	47.5	42	120	62	8
CSLP1162P	172	57	42	120	62	8
CSLP1162B	172	-	42	120	62	8
CSLP1162T	172	57	42	120	62	8

CSLP1164P
T-Bar on Lock Profile Backplate

BSS SSS



CSLP1164B
Latch

CSLP1164E
Euro

CSLP1164T
Bathroom



	A	B	C	D	E	F
CSLP1164E	172	47.5	42	120	62	8
CSLP1164P	172	57	42	120	62	8
CSLP1164B	172	-	42	120	62	8
CSLP1164T	172	57	42	120	62	8

CSLP1163EDUO

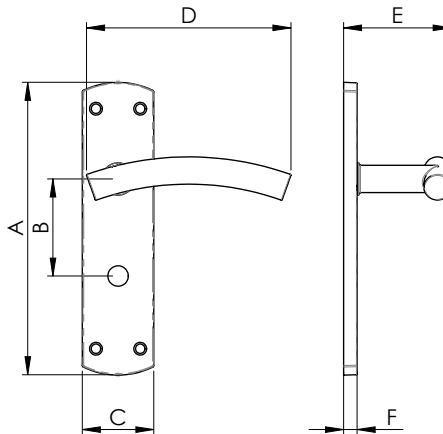
Curved on Euro Profile Backplate



CSLP1163P
Lock

CSLP1163B
Latch

CSLP1163T
Bathroom



	A	B	C	D	E	F
CSLP1163E	172	47.5	42	120	62	8
CSLP1163P	172	57	42	120	62	8
CSLP1163B	172	-	42	120	62	8
CSLP1163T	172	57	42	120	62	8

CSLP1167T

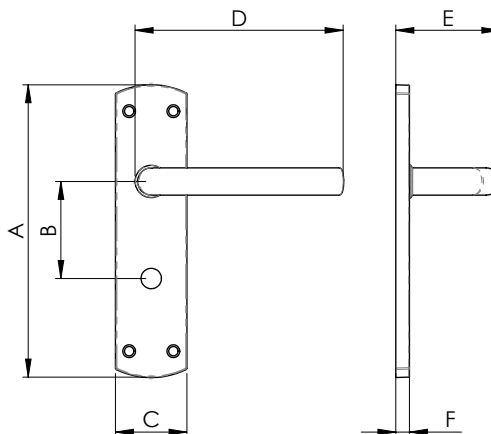
Arched on Bathroom Backplate



CSLP1167P
Lock

CSLP1167E
Euro

CSLP1167B
Latch



	A	B	C	D	E	F
CSLP1167E	172	47.5	42	122	62	8
CSLP1167P	172	57	42	122	62	8
CSLP1167B	172	-	42	122	62	8
CSLP1167T	172	57	42	122	62	8

CSLP1190/CPRB1170SSS

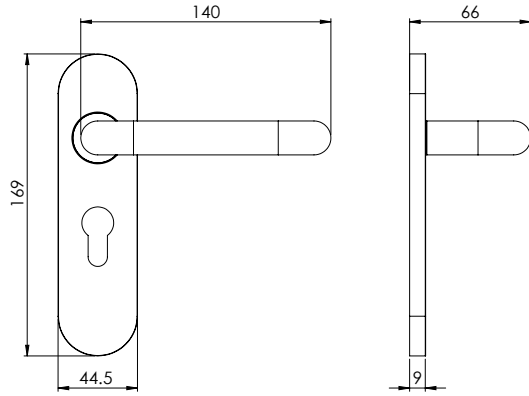


304 Concealed Fix Levers on Backplate

CSLP1190
Safety Lever on Inner Plate



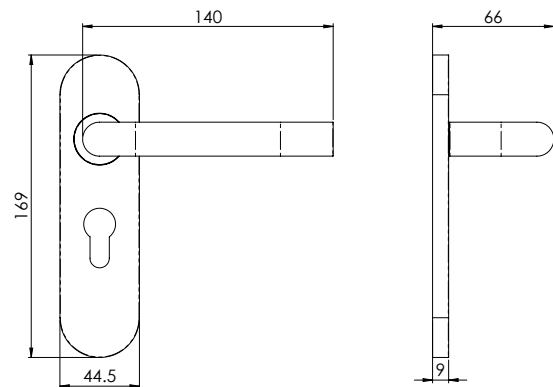
CSLP1190 + CPRE1170

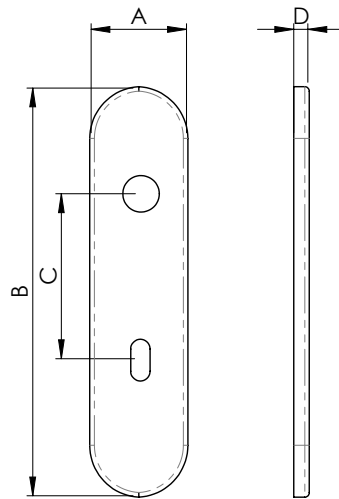










CSLP1191
Straight Lever on Inner Plate



CSLP1191 + CPRE1170





			A	B	C	D
	CPRB1170	Latch Plate	45	174	N/A	9
	CPRP1170	Lock Plate	45	174	57	9
	CPRE1170	Euro Plate 47.5 c/c	45	174	47.5	9
	CPRE1170/72	Euro Plate 72 c/c	45	174	72	9
	CPRT1170	UK Bathroom Plate 57 c/c & Turn	45	174	57	9
	CPRT1170/78	Bathroom Plate 78 c/c & Small Turn	45	174	78	9
	CPRTL1170	UK Bathroom Plate 57 c/c & Large Turn	45	174	57	9
	CPRU1170	Oval Plate 48.5 c/c	45	174	48.5	9

PFT1300SSS



316 Pull Handles

Grade 316 Pull Handles

Various bar diameters and lengths ◀








Perfect for environments where the doors are subject to frequent and vigorous use ◀

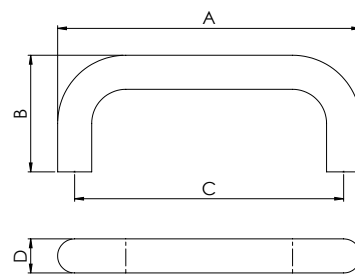
Fire-rated ◀

25 year mechanical guarantee ◀








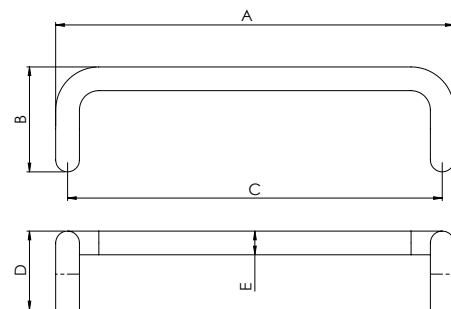
D Pull Handle

	A	B	C	D	
PAD1150	169	65	150	19	SSS
PAD1225	244	65	225	19	SSS
PAD1300	319	65	300	19	SSS 
PAD1450	469	65	450	19	SSS 
PFD1225	247	67	225	22	SSS
PFD1300	322	67	300	22	SSS 
PBD1300	325	70	300	25	BSS SSS 
PCD1450	480	75	450	30	SSS 
PCD1600	630	75	600	30	SSS 
PCD11800	1830	75	1800	30	SSS 








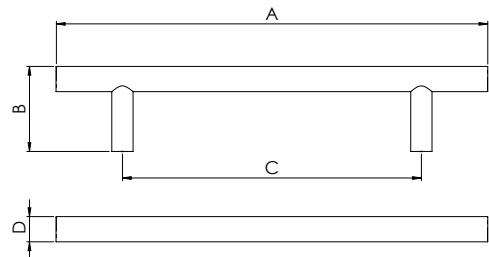
Cranked Pull Handle

	A	B	C	D	E	
PAC1225	244	90	226	65	19	SSS
PAC1300	319	90	300	65	19	SSS 
PAC1600	619	90	600	65	19	SSS 
PBC1300	325	100	300	80	25	SSS 
PCC1450	480	140	450	80	30	SSS 
PCC1600	630	140	600	80	30	SSS 





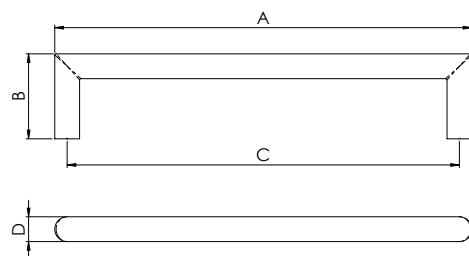
T Pull Handle

	A	B	C	D	
PAT1225	325	65	225	19	SSS
PAT1300	400	65	300	19	SSS
PFT1225	325	67	225	22	SSS
PFT1300	400	67	300	22	SSS
PBT1300	420	70	300	25	SSS
PCT1450	600	70	450	30	SSS 
PCT1600	775	70	600	30	SSS 
PCT1900	1070	70	900	30	SSS 
PCT11200	1200	70	1000	30	SSS 
PCT11800	1800	70	1630	30	SSS 



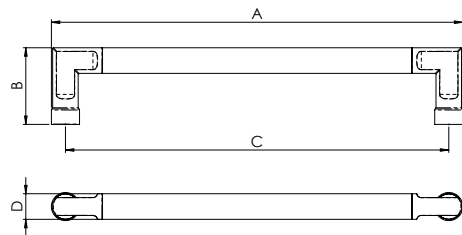
Mitred Pull Handle

	A	B	C	D	
PAM1300	319	65	300	19	SSS 
PCM1450	480	75	450	30	SSS 

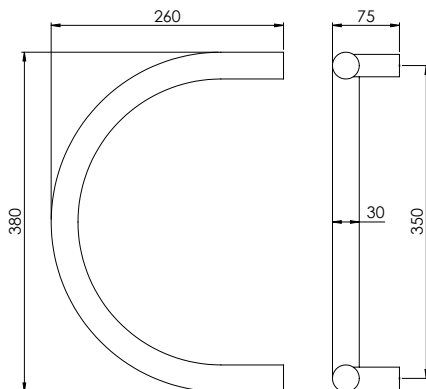


Carbon Fibre Pull Handle

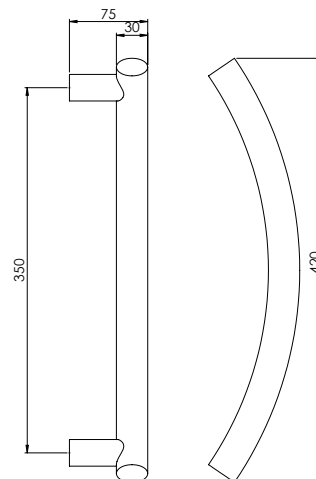
	A	B	C	D
SWP18/300	322	60	300	20
SWP18/600	620	60	600	20



PCG1350SSS-B-B
Semi Circular Pull Handle



PCTS1350
Curved T Pull Handle







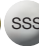


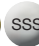
304 Pull Handles

Grade 304 Pull Handles

- Stylish architectural quality pull handles
- 10 year mechanical guarantee
- Fire door rated
- Suitable for both domestic and commercial environments
- Pair with SWL, SSL and CSL ranges of lever handles

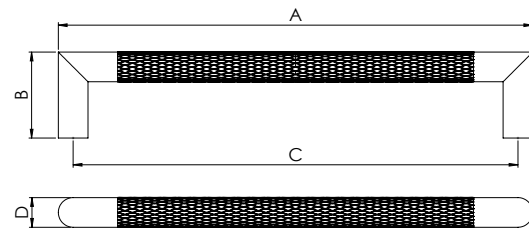


Knurled Mitred Pull Handle











	A	B	C	D	
SWP1169/300	320	58	300	20	  
SWP1169/450	470	58	450	20	  

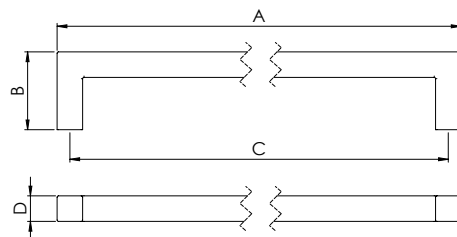
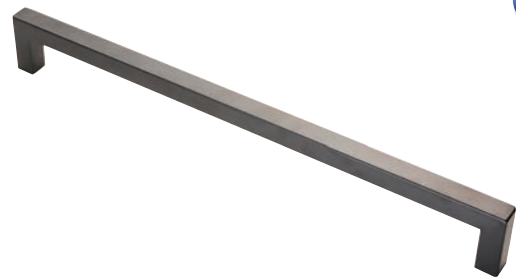


New



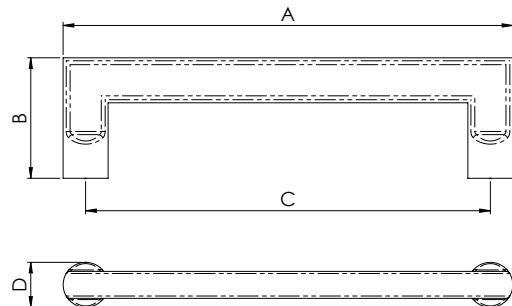
Square Mitred Pull Handle

	A	B	C	D	
SSM1415	169	58	150	19	
SSM1422	244	58	225	19	
SSM1430	319	58	300	19	 
SSM1445	469	58	450	19	   
SSM1460	619	58	600	19	 



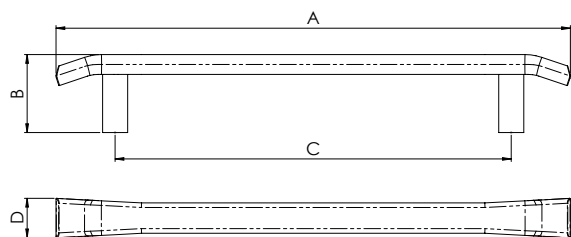
Carlton Pull Handle

	A	B	C	D	
SWP1134/300	325	67	300	25	SSS
SWP1134/450	475	67	450	25	SSS
SWP1134/600	625	67	600	25	SSS



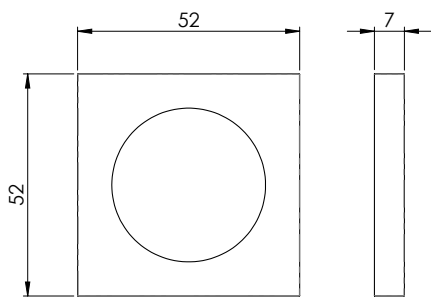
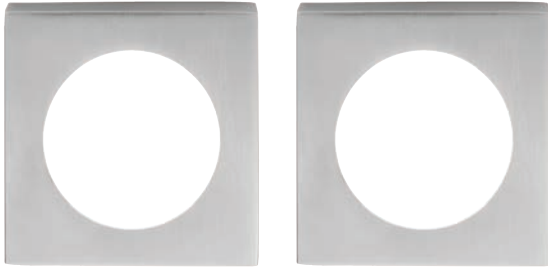
Plaza Pull Handle

	A	B	C	D	
SWP1160/300	390	59	300	30	SSS
SWP1160/400	490	59	400	30	SSS
SWP1160/600	690	59	600	30	SSS



SWR1137
Square Rose Pack
Grub Screw Pack

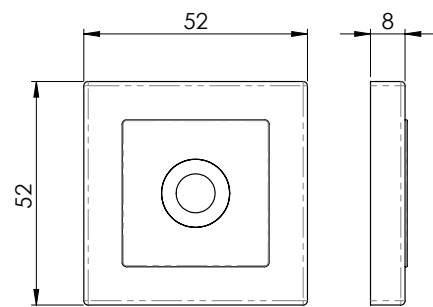
BSS



SSR1405SSS/DUO

Rose Pack
(Supplied with both a polished and satin inner to allow for a single or dual finish)

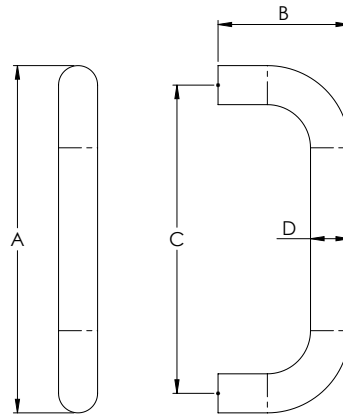
BSS/SSS SSS



D Pull Handle

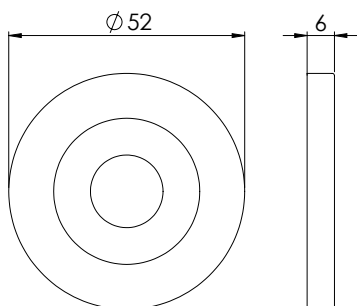


	A	B	C	D		
CSD1150	169	64	150	19	BSS	SSS
CSD1225	244	64	225	19	BSS	SSS
CSD1300	319	64	300	19	BSS	New MB SSS
CSD1425	444	64	425	19		New SSS
CSD1450	469	64	450	19	BSS	New MB SSS
CSD1600	619	64	600	19	BSS	SSS
CFD1150	172	66	150	22		SSS
CFD1225	247	66	225	22		SSS
CFD1300	322	66	300	22		SSS
CFD1450	472	66	450	22		SSS
CFD1600	622	66	600	22		SSS



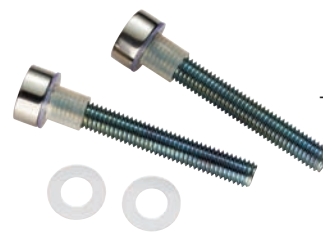
CSR1005
Rose Pack
In pairs to suit CSD pull handles

BSS SSS



SBF1016
Bolt cap fixing pack
To suit 16mm handles

BSS



SBF1019
To suit 19mm handles

BSS SSS

SBF1022
To suit 22mm handles

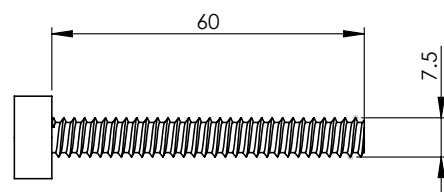
BSS SSS

SBF1025
To suit 25mm handles

BSS SSS

SBF1030
To suit 30mm handles

BSS SSS





BBF1019
Back to back fixing pack
To suit 19mm handles

New
BSS
MB
SSS

BBF1022
To suit 22mm handles

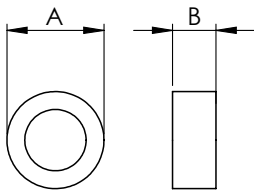
BSS
SSS

BBF1025
To suit 25mm handles

BSS
SSS

BBF1030/2
To suit 30mm handles

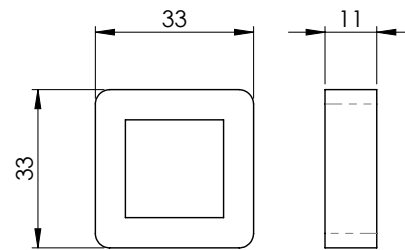
BSS
SSS



	A	B
BBF1019	19	8.5
BBF1022	22	9
BBF1025	25	9
BBF1030/2	30	9

BBF1019SS/SQ
Square back to back fixing pack
To suit 19mm handles

SSS



NUMERALS/LETTERS



Stainless Steel Accessories

Stainless Steel Accessories

Full range of accessories to add the finishing touches to any project ◀

Variety of products that co-ordinate and work alongside each of our ranges ◀

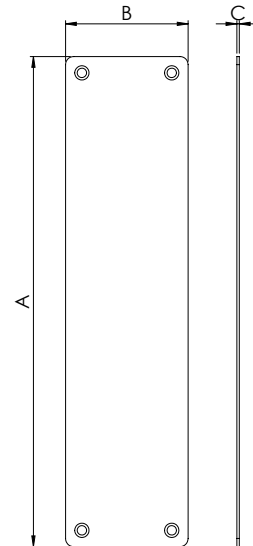




Plain Finger Plate



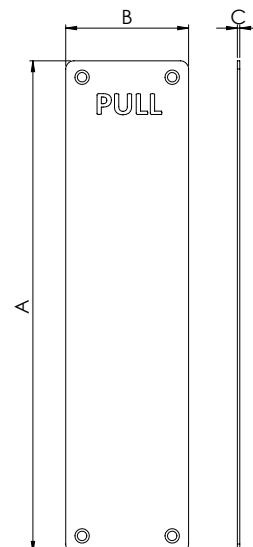
	A	B	C		
FPP1300	300	75	1.5	BSS	SSS
FPP1350	350	75	1.5	BSS	SSS
FPP1500	500	75	1.5	BSS	SSS
FPP1650	650	75	1.5	BSS	SSS



Pull Finger Plate







	A	B	C		
FPP1301	300	75	1.5		SSS
FPP1351	350	75	1.5		SSS

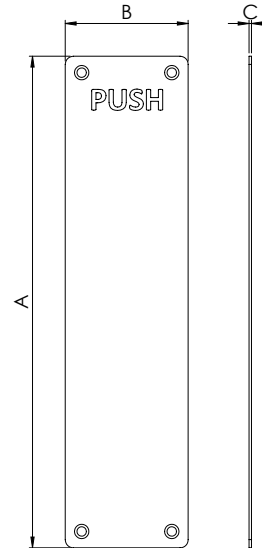




Push Finger Plate

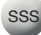
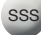

















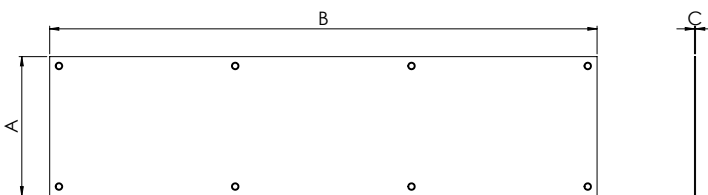
	A	B	C		
FPP1302	300	75	1.5		
FPP1352	350	75	1.5		



Kickplate



	A	B	C	
KPP1590	150	590	1.2	
KPP1615	150	615	1.2	
KPP1650	150	650	1.2	
KPP1675	150	675	1.2	
KPP1690	150	690	1.2	
KPP1715	150	715	1.2	
KPP1725	150	725	1.2	
KPP1750	150	750	1.2	
KPP1790	150	790	1.2	
KPP1805	150	805	1.2	
KPP1815	150	815	1.2	
KPP1830	150	830	1.2	
KPP1855	150	855	1.2	
KPP1880	150	880	1.2	
KPP1890	150	890	1.2	
KPP1905	150	905	1.2	
KPP1915	150	915	1.2	

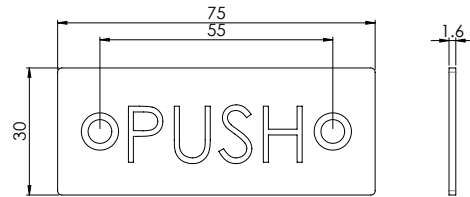
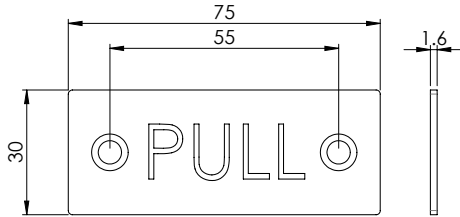




FPA1301
Pull Sign



FPA1302
Push Sign



SEX1011
Male



SEX1012
Female



SEX1014
Shower



SEX1015
Fire Door
Keep Locked



SEX1016
Fire Door
Keep Shut



SEX1017
Disabled



SEX1018
Unisex



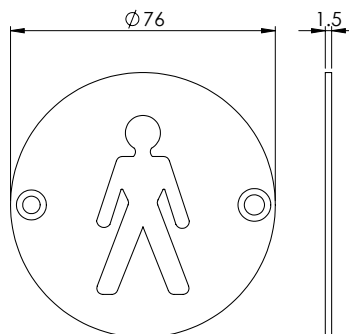
SEX1019
Baby
Change



SEX1021
Fire Escape
Keep Clear

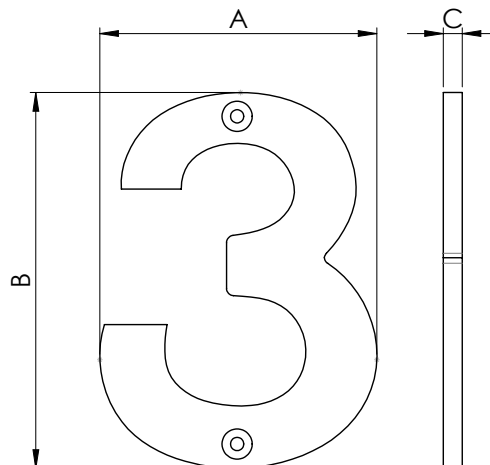


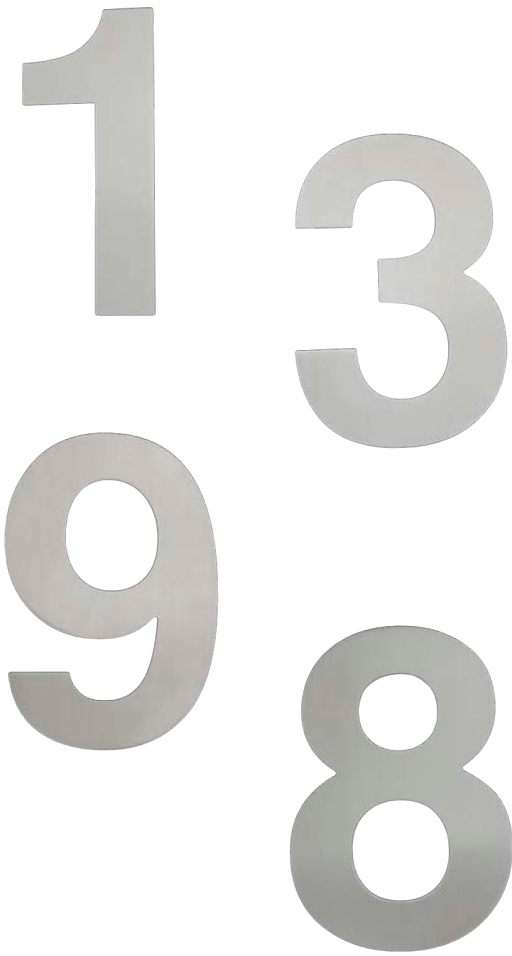
SEX1022
Automatic
Fire Door
Keep Clear



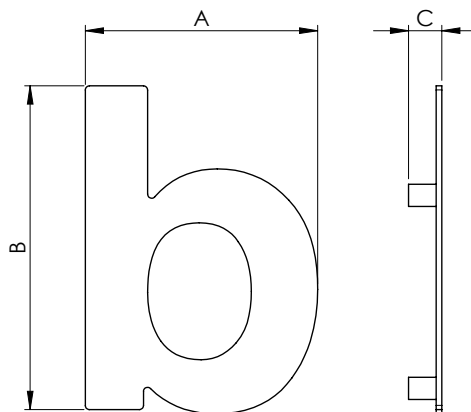


		A	B	C	
LET1050A	Letter a	32	38	2	SSS
NUM10500	Numeral 0	36	50	2	BSS SSS
NUM10501	Numeral 1	23	50	2	BSS SSS
NUM10502	Numeral 2	36	50	2	BSS SSS
NUM10503	Numeral 3	37	50	2	BSS SSS
NUM10504	Numeral 4	36	50	2	BSS SSS
NUM10505	Numeral 5	37	50	2	BSS SSS
NUM10506/9	Numeral 6/9	36	50	2	BSS SSS
NUM10507	Numeral 7	35	50	2	BSS SSS
NUM10508	Numeral 8	31.5	50	2	BSS SSS
LET10100A	Letter a	67.5	80.5	5	SSS
NUM10100	Numeral 0	72	100	5	BSS SSS
NUM10101	Numeral 1	45.5	100	5	BSS SSS
NUM10102	Numeral 2	69	100	5	BSS SSS
NUM10103	Numeral 3	74	100	5	BSS SSS
NUM10104	Numeral 4	73.5	100	5	BSS SSS
NUM10105	Numeral 5	72.5	100	5	BSS SSS
NUM10106/9	Numeral 6/9	72	100	5	BSS SSS
NUM10107	Numeral 7	70	100	5	BSS SSS
NUM10108	Numeral 8	71.5	100	5	BSS SSS



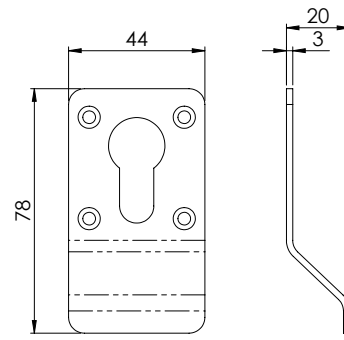


		A	B	C		
LET1090A	Letter a	80	89	12	BSS	SSS
LET1090B	Letter b	84	117.5	12	BSS	SSS
LET1090C	Letter c	79.5	89	12	BSS	SSS
NUM10170	Numeral 0	119.5	178	12	BSS	SSS
NUM10171	Numeral 1	78.5	178	12	BSS	SSS
NUM10172	Numeral 2	120	178	12	BSS	SSS
NUM10173	Numeral 3	119	178	12	BSS	SSS
NUM10174	Numeral 4	125	178	12	BSS	SSS
NUM10175	Numeral 5	120	178	12	BSS	SSS
NUM10176/9	Numeral 6/9	119.5	178	12	BSS	SSS
NUM10177	Numeral 7	128	178	12	BSS	SSS
NUM10178	Numeral 8	119.5	178	12	BSS	SSS

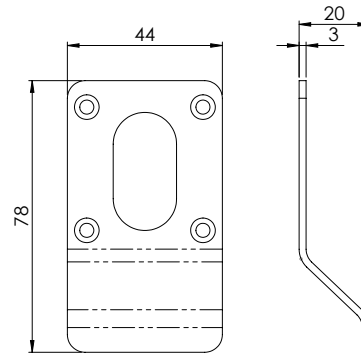




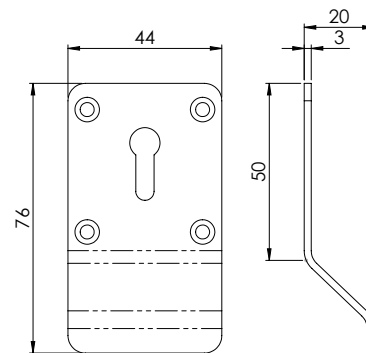
ECP1000
Euro Cylinder Pull
New
MB SSS



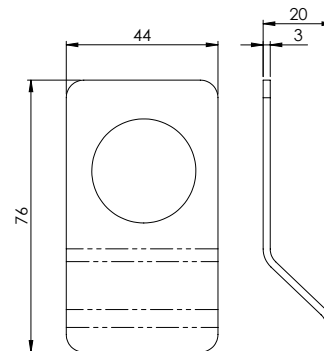
OCP1000
Oval Cylinder Pull
SSS



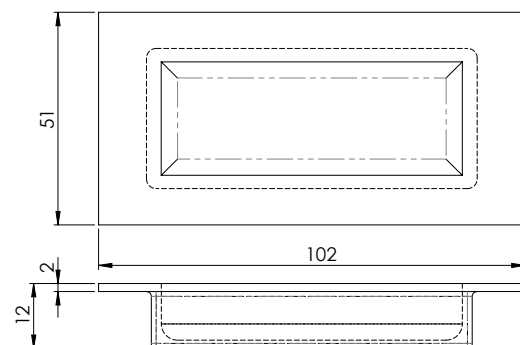
PCP1000
Lock Cylinder Pull
BSS SSS



RCP1000
Rim Cylinder Pull
BSS SSS



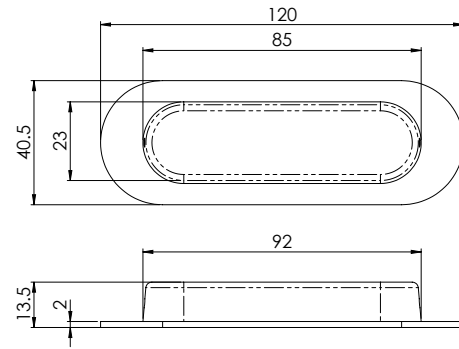
FPH1000
Rectangular Flush Pull
BSS SSS





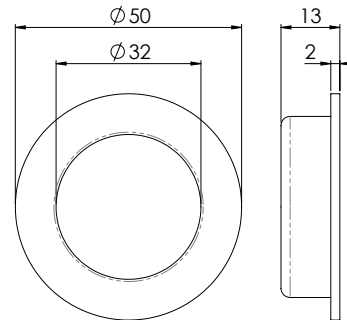
FPH1001
Radius Flush Pull

BSS SSS



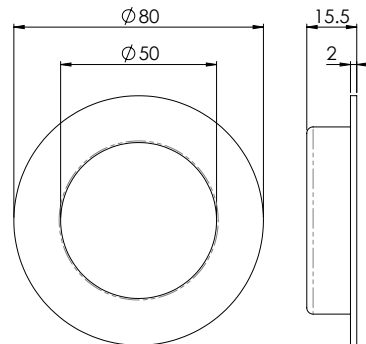
FPH1002
Circular Flush Pull

BSS SSS



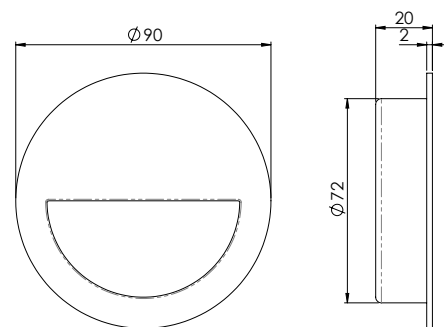
FPH1003
Circular Flush Pull

BSS SSS



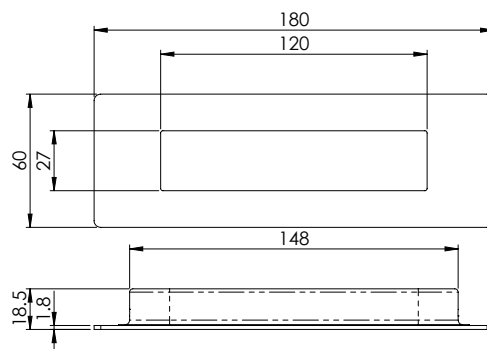
FPH1004
Circular Flush Pull

BSS SSS



FPH180
Large Rectangular Flush Pull

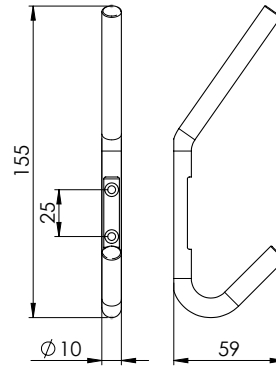
BSS SSS





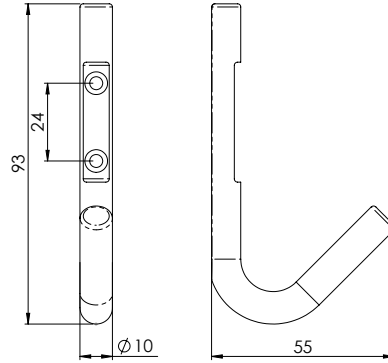
HCH1010
Hat and Coat Hook

BSS SSS



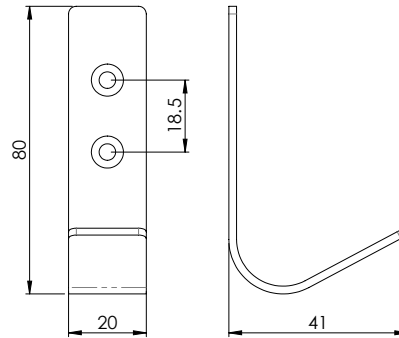
HCH1011
Coat Hook

BSS SSS



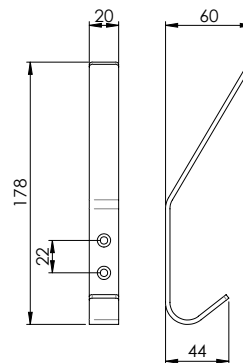
HCH1012
Flat Coat Hook

BSS SSS



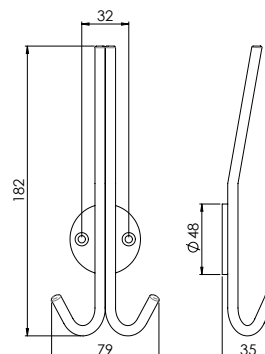
HCH1013
Flat Hat and Coat Hook

BSS SSS



HCH1014
Hat and Double Coat Hook

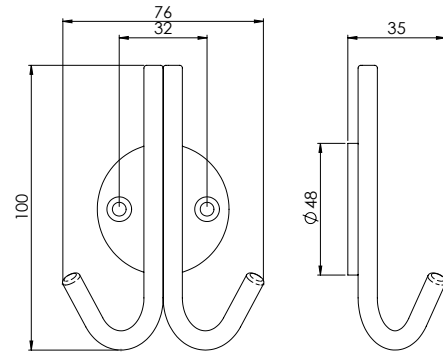
BSS SSS





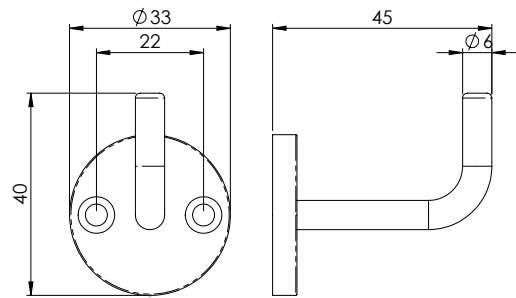
HCH1015
Double Coat Hook

BSS SSS



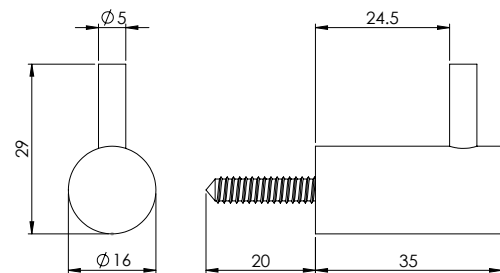
HCH1016
Coat Hook

BSS SSS



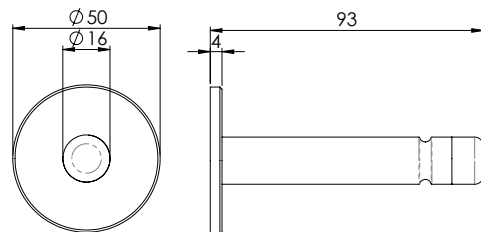
HCH1017
Coat Hook
Concealed Fix

BSS SSS



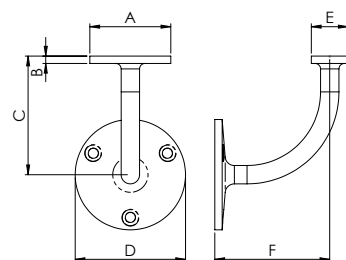
HCH1018
Buffered Coat Hook

BSS SSS



HRB1000/P62
HRB1000/P85
Handrail Bracket

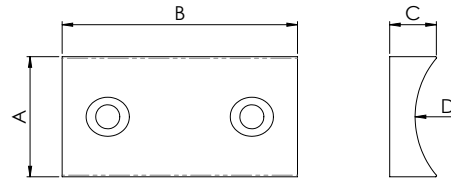
BSS SSS



	A	B	C	D	E	F
HRB1000/P62	45	4	60	61	20	64
HRB1000/P85	45	4	60	60	20	90

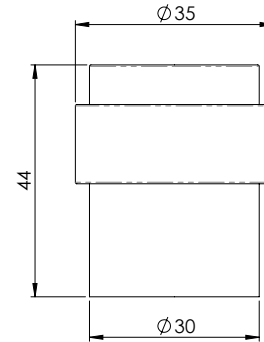
HBS1038
HBS1050

Saddle
To suit 38mm + 50mm dia. handrail

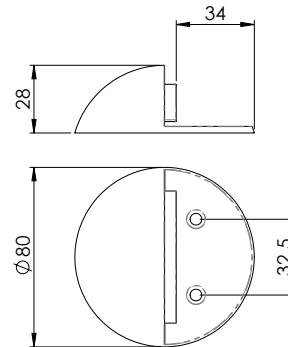


	A	B	C	D
HBS1038	25	50	10	38
HBS1050	25	50	10	50

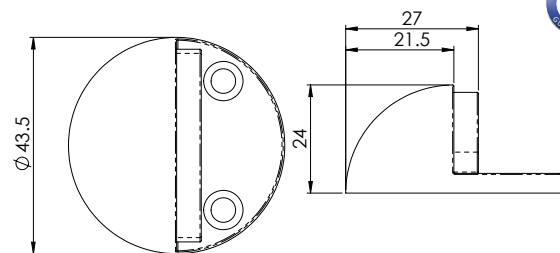
DSF1030
Solid Floor Mounted
Door Stop



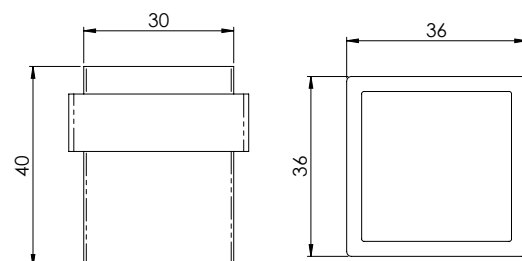
DSF1031
Large Floor Mounted
Door Stop

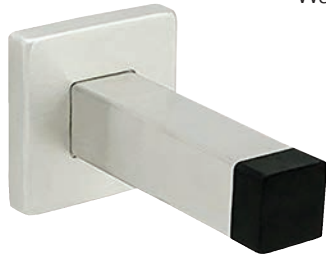


DSF1032
Floor Mounted Door Stop



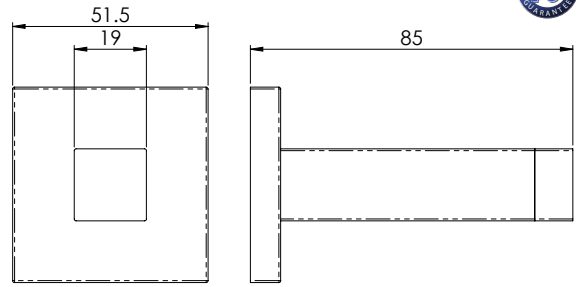
DSF1430
Square Floor Mounted
Door Stop





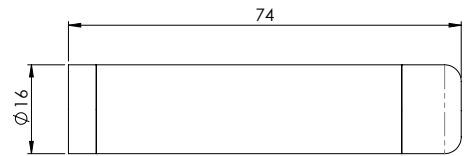
DSW1415
Wall Mounted Square Door Stop

SSS



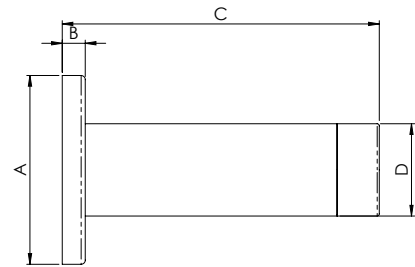
DSW1015
Wall Mounted Door Stop

BSS SSS



DSW1016
DSW1017
Wall Mounted Door Stop with Rose

BSS SSS



	A	B	C	D
DSW1016	46	7	76	22
DSW1017	46	7	102	22

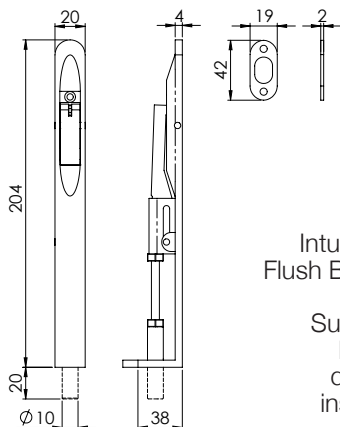


FBT1008/R
Radius Lever Action Flush Bolt

New AB BSS MB MBRZ SPVD SSS

FBT1008
Lever Action Flush Bolt

BSS SSS

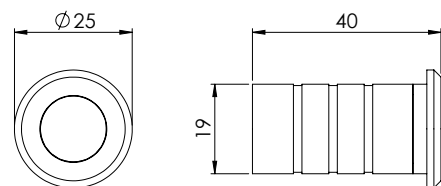


INT1008
Intumescent Flush Bolt Pack

Suitable for
FD30/60
door face
installation

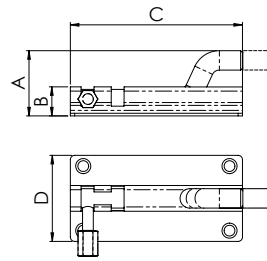
DPS1008
Dust Proof Socket

SSS



Cranked Barrel Bolt
Grade 304

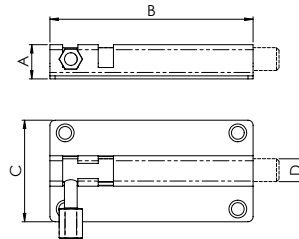
BSS SSS



	A	B	C	D	E
BBT1080CR	29	14	80	39	9.5
BBT1100CR	29	14	100	39	9.5
BBT1150CR	29	14	150	39	9.5
BBT1200CR	29	14	200	39	9.5

Barrel Bolt
Grade 304

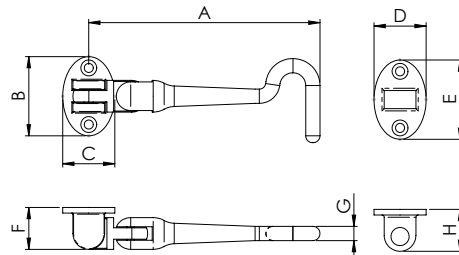
BSS SSS



	A	B	C	D
BBT1080	14	80	38	9
BBT1100	14	100	38	9
BBT1150	14	150	38	9
BBT1200	14	200	38	9

CAB1100
CAB1150
CAB1200
Cabin Hook
Grade 316

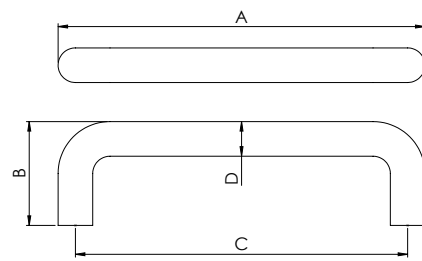
BSS SSS



	A	B	C	D	E	F	G	H
CAB1100	102	35	23	23	35	18.5	6	18.5
CAB1150	152	35	23	23	35	18.5	6	18
CAB1200	203	35	23	23	35	18.5	6	18

Cabinet Pull Handle

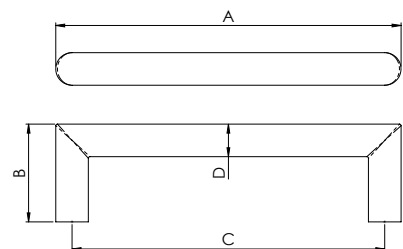
SSS



	A	B	C	D
CPD1096	106	30	96	10
CPD1128	138	30	128	10

Cabinet Pull Handle

SSS



	A	B	C	D
CPM1096	106	30	96	10
CPM1128	138	30	128	10



External Door Furniture

External Door Furniture

Architectural range of external door furniture ◀

10 year mechanical guarantee ◀

Fire door rated ◀

Classic designs to suit any project ◀

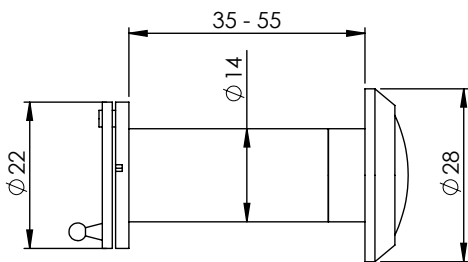


SWE1000
Door Viewer Grade 304
Suits doors 35-55mm thick

New



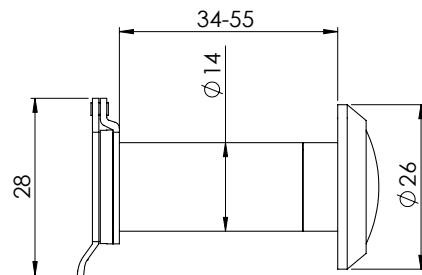
Lens 14 Dia.
Angle of Vision
180°



AA77
Door Viewer
Suits doors 34-54mm thick



Glass Lens 14 Dia.
Angle of Vision
180°



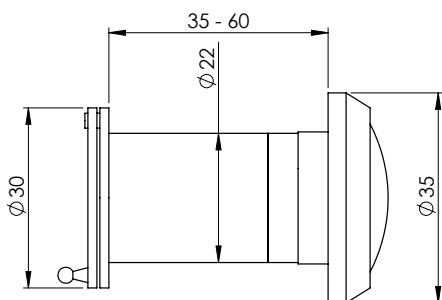
SWE1010
Door Viewer Grade 316
Suits doors 35-60mm thick



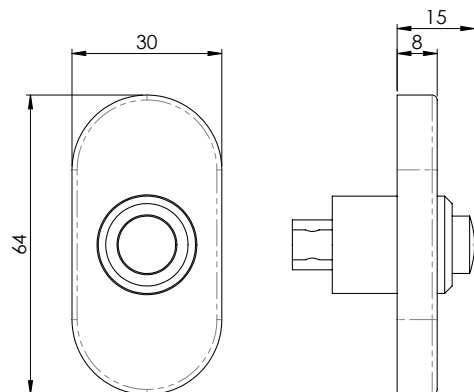
Lens 22 Dia.
Angle of Vision
200°



SWE1011
Extension sleeve suits
doors up to 100mm thick

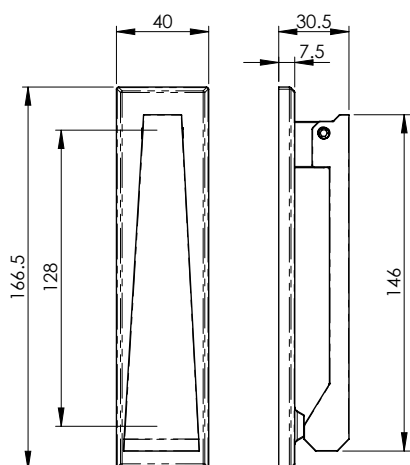


SWE1030
Bell Push Grade 316

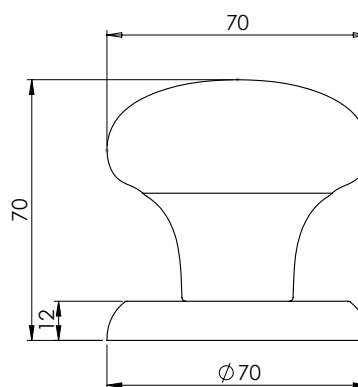




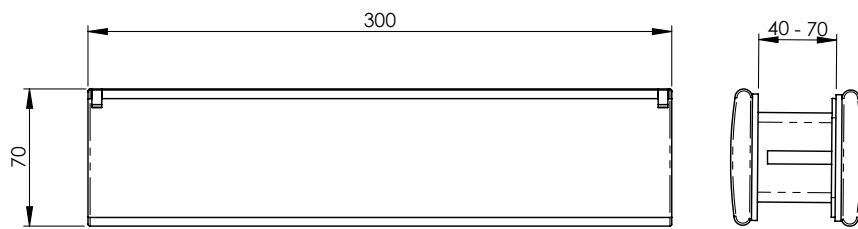
SWE1020
Door Knocker Grade 316



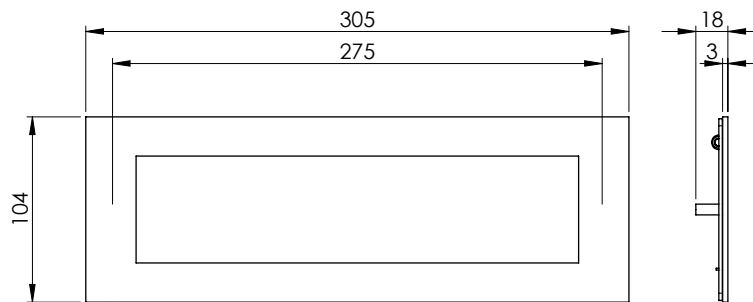
SWE1040
Centre Door Knob Grade 316



SWE1050
Sleeved Letter Plate
Suits doors up to 70mm



SWE1036D
Grade 316 Narrowstyle Letterplate



Aluminium

Covers all your product needs for social housing and student living projects ◀

Manufactured in line with the latest standards ◀

Fire door rated ◀

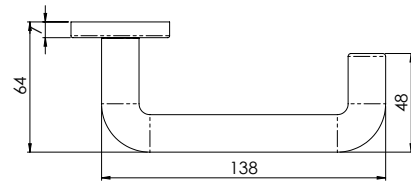
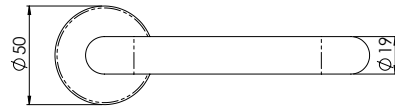
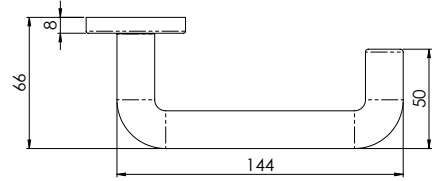
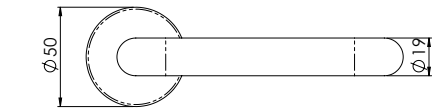
10 year mechanical guarantee ◀

A perfect solution for cost driven projects ◀



LRS4000
Safety Lever on Sprung Rose
Bar 22mm Diameter

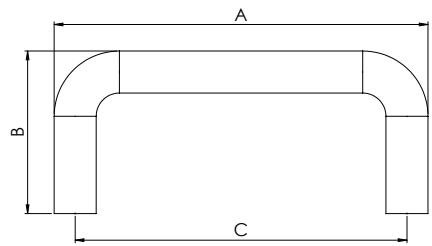
SAA



LRS4001
Bar 19mm Diameter

PAD4150
PAD4300
Pull Handle

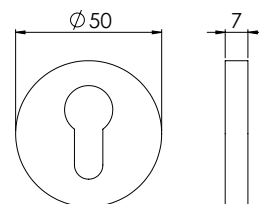
SAA



	A	B	C	D
PAD4150	169	64	150	19
PAD4300	319	64	300	19

ESE4005
Euro Escutcheon

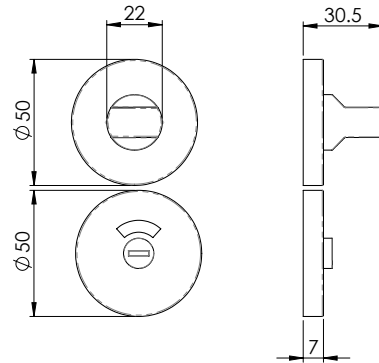
SAA



EST4005
Thumbturn & Release
With indicator



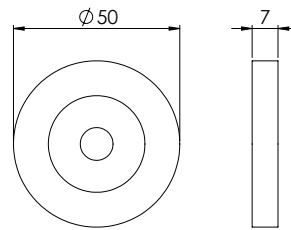
SAA



FIX4019
Rose Kit



SAA



SAA

SEX4011
Male



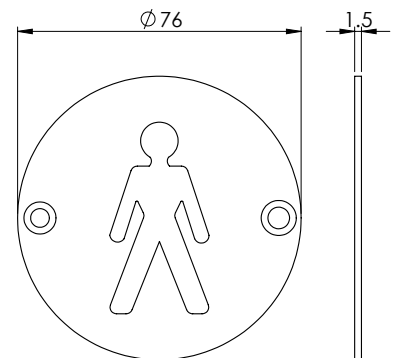
SAA

SEX4012
Female



SAA

SEX4015
Fire Door
Keep Locked



SAA

SEX4016
Fire Door
Keep Shut



SAA

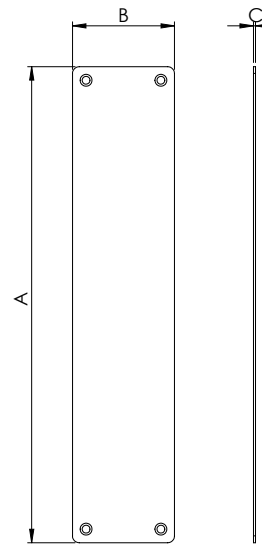
SEX4017
Disabled



SAA

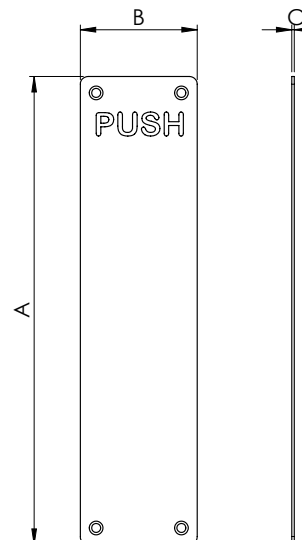
SEX4018
Unisex

FPP43500
FPP45000
FPP46500
 Plain Finger Plate



	A	B	C
FPP43500	300	75	2
FPP45000	500	75	2
FPP46500	650	75	2

FPP43002
FPP43502
 Push Finger Plate

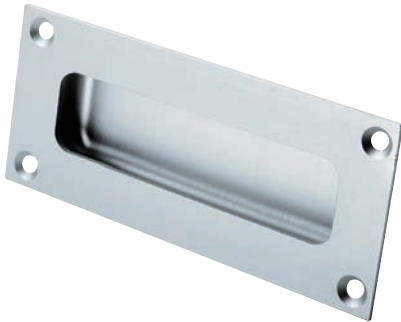
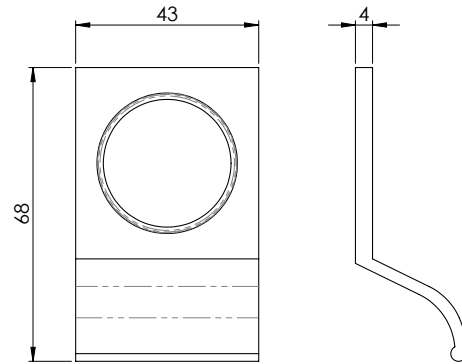


	A	B	C
FPP43002	300	75	2
FPP43502	350	75	2



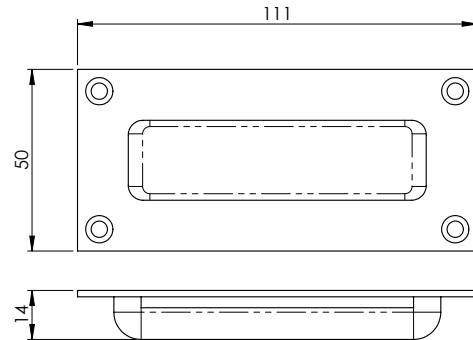
RCP4000
Rim Cylinder Pull

SAA



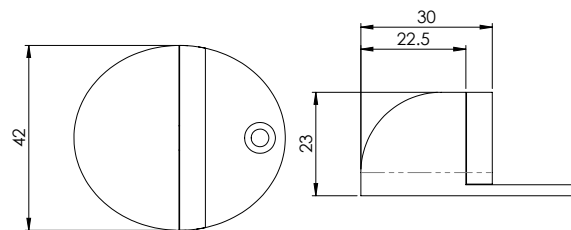
FPH4100
Flush Pull

SAA



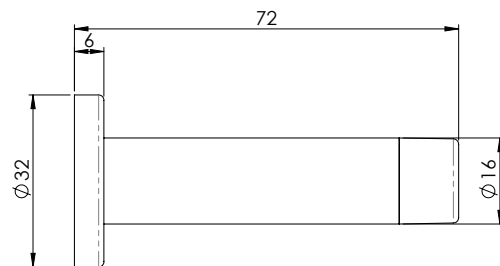
DSF4032
Floor Mounted Door Stop

SAA



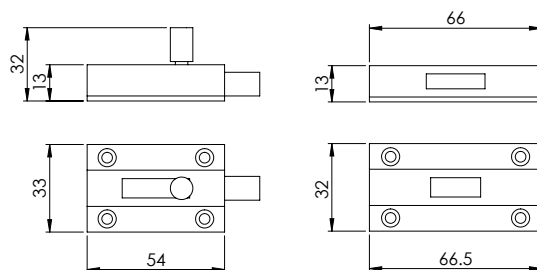
DSW6001
Wall Mounted Door Stop

PAA



SAAIND
Indicator Bolt

SAA





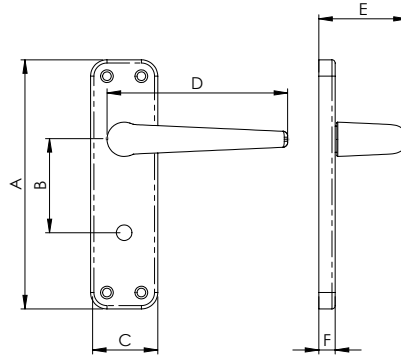
SAA21
Contract Lever on Lock Backplate



SAA21Y
Euro

SAA21WC
Bathroom

SAA22
Short Plate Latch



	A	B	C	D	E	F
SAA21	154	57	40	104	55	10
SAA21Y	154	47.5	40	104	55	10
SAA21WC	154	57	40	104	55	10
SAA22	103	-	40	104	55	10

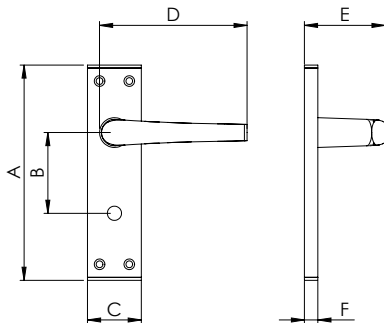


SAA60
Mial Lever on Lock Backplate



SAA60WC
Bathroom

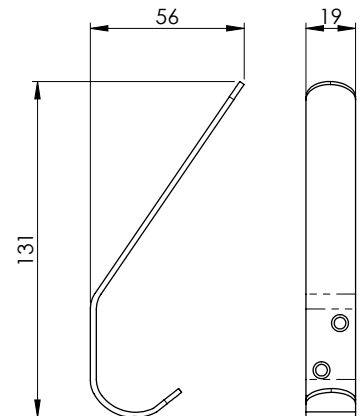
SAA61
Short Plate Latch



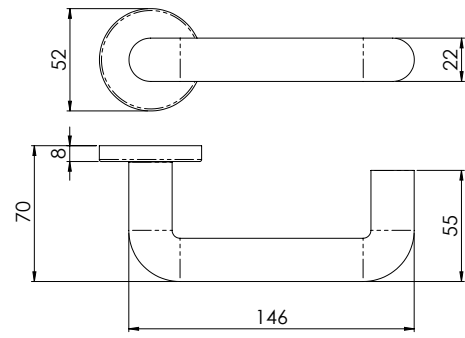
	A	B	C	D	E	F
SAA60	152	57	38	92	52	10
SAA60WC	152	57	38	92	52	10
SAA61	102	-	38	92	52	10



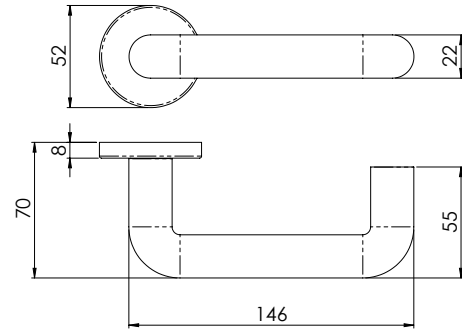
SAA28
Hat and Coat Hook



LRS9000
Safety Lever on Round Rose
Bar 22mm Diameter

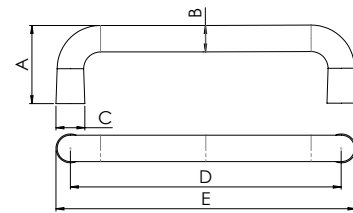


LRS9001
Bar 19mm Diameter



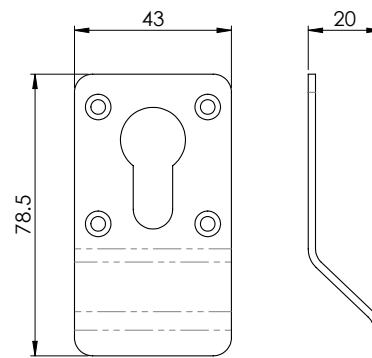
PAD9150
PAD9225
PAD9300
PFD9150
PFD9300
PFD9450

Pull Handle

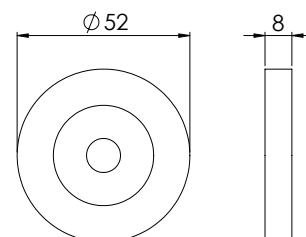
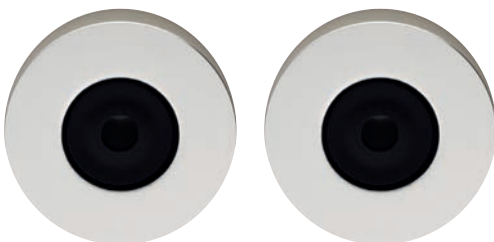


	A	B	C	D	E
PAD9150	64	19	25	150	175
PAD9225	64	19	25	225	250
PAD9300	64	19	25	300	325
PFD9150	67	22	25	150	175
PFD9300	67	22	25	300	322
PFD9450	67	22	25	450	475

ECP9000
Euro Cylinder Pull



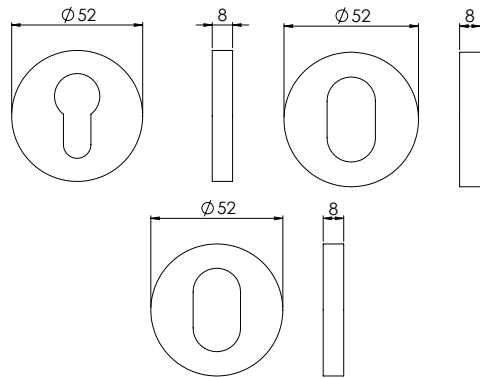
FIX9005
Rose Kit





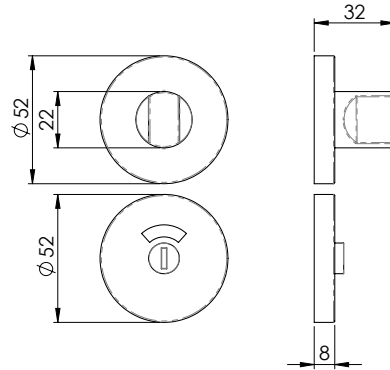
ESE9005 Euro Escutcheon
ESP9005 Lock Escutcheon
ESU9005 Oval Escutcheon

SAA



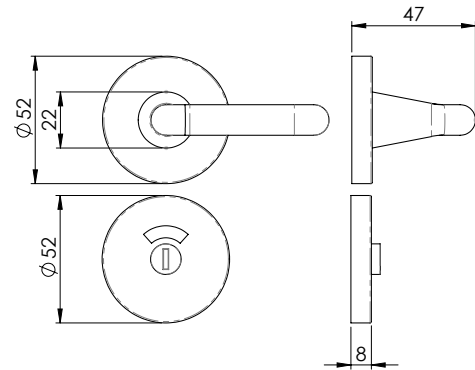
EST9005
 Thumbturn & Release
 With Indicator

SAA



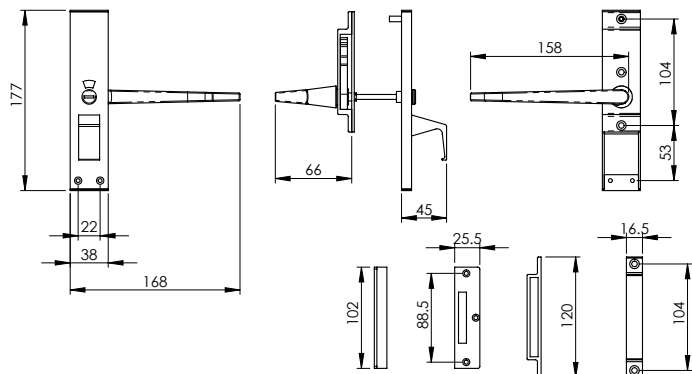
EST9025
 Thumbturn & Release
 With Indicator

SAA

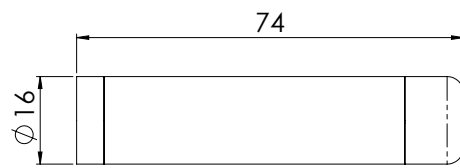


EST9625
 Handle Set

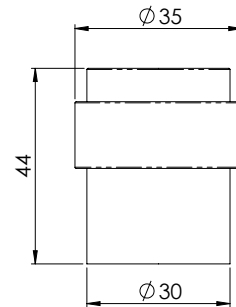
GAA PAA SAA



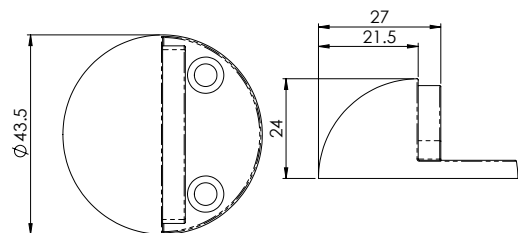
DSW9015
Wall Mounted Door Stop



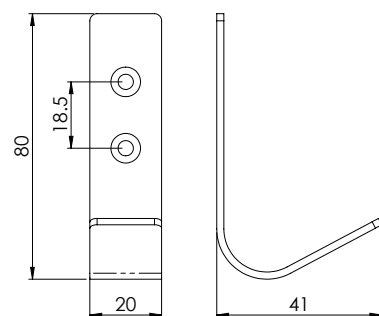
DSF9030
Floor Mounted Door Stop



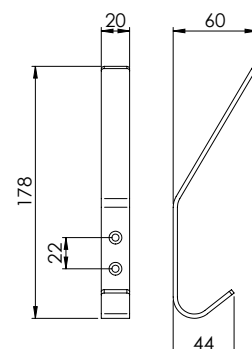
DSF9032
Floor Mounted Door Stop



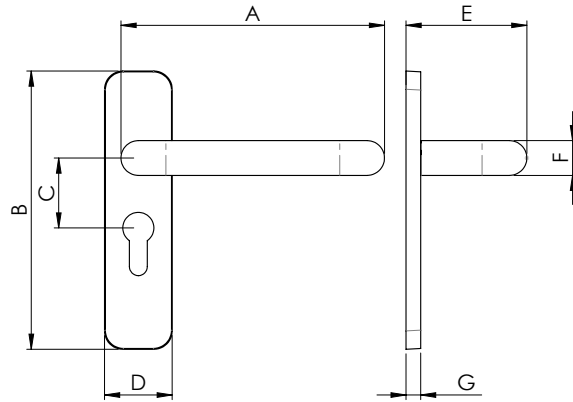
HCH9012
Flat Coat Hook



HCH9013
Flat Hat and Coat Hook



LIP9001
Safety Lever on Inner Plate



PLB9001 Latch Plate

	A	B	C	D	E	F	G
PLB9001 Latch Plate	143	152	N/A	38	66	19	8

PLP9001 Lock Plate

PLP9001 Lock Plate	143	152	57	38	66	19	8
---------------------------	-----	-----	----	----	----	----	---

PLE9001 Euro Plate - 47.5 c/c

PLE9001 Euro Plate - 47.5 c/c	143	152	47.5	38	66	19	8
--------------------------------------	-----	-----	------	----	----	----	---

PLT9001 Bathroom Plate - 57 c/c & Turn

PLT9001 Bathroom Plate - 57 c/c & Turn	143	152	57	38	66	19	8
---	-----	-----	----	----	----	----	---

PLU9001 Oval Plate - 48.5 c/c

PLU9001 Oval Plate - 48.5 c/c	143	152	48.5	38	66	19	8
--------------------------------------	-----	-----	------	----	----	----	---

CI001130VCH



High Specification Hinges

High Specification Hinges

- ❖ Comprehensive selection of hinges
- ❖ Encompassing CE and ball bearing options to concealed, piano and steel butt hinges
- ❖ Domestic or specialist options for additional weight bearing capability
- ❖ Our product selection suits any commercial or residential property

Grade 14

- ❖ 25 year mechanical guarantee reflecting the use of the highest architectural stainless steel
- ❖ Entire range is CE marked, Certifire approved and fire and metal door tested
- ❖ Intumescent hinge packs are paired with the respective hinges to ensure the products adhere to the latest fire standards

Grade 13 and Grade 11

- ❖ 25 year mechanical guarantee reflecting the use of the highest architectural stainless steel
- ❖ Entire range is CE marked and fire tested
- ❖ Intumescent hinge packs are paired with the respective hinges to ensure the products adhere to the latest fire standards

Grade 7

- ❖ 10 year mechanical guarantee
- ❖ Various hinge categories for all types of jobs
- ❖ Intumescent hinge packs are paired with the respective hinges to ensure the products adhere to the latest fire standards

CEAM Hinges

- ❖ Fully reversible with removable knuckle
- ❖ Available in 7 finishes
- ❖ Routing jigs and templates available online or on request to aid installation
- ❖ Intumescent hinge packs are paired with the respective hinges to ensure the products adhere to the latest fire standards

BS EN 1935:2002 is the European standard specifying requirements for single-axis hinges for windows and doors opening in one direction only, whose rotation axis is no more than 30mm from the face of the sash or door. It covers both fixed pin and lift-off hinges, and contains additional requirements for hinges intended for use on fire doors.

Durability

3 Grades are identified according to the number of test cycles achieved:

- Grade 3: 10,000 Cycles
For light duty hinges on windows only
- Grade 4: 25,000 Cycles
For light duty hinges on windows and doors
- Grade 7: 200,000 Cycles
For medium, heavy and severe duty hinges on doors only

Attack Resistance

14 grades are identified and summarised

Hinge Grade	Usage	Test Cycles	Door Mass
1	Window	10,000	10kg
2	Window	10,000	20kg
3	Window/Door	25,000	20kg
4	Door	200,000	20kg
5	Window	10,000	40kg
6	Window/Door	25,000	40kg
7	Door	200,000	40kg
8	Window	10,000	60kg
9	Window/Door	25,000	60kg
10	Door	200,000	60kg
11	Door	200,000	80kg
12	Door	200,000	100kg
13	Door	200,000	120kg
14	Door	200,000	160kg

Category of Use

- 4 Grades are identified:
- Grade 1: Light Duty
 - Grade 2: Medium Duty
 - Grade 3: Heavy Duty
 - Grade 4: Severe Duty

Corrosion Resistance

- 5 Grades are identified:
- Grade 0: No defined corrosion resistance
 - Grade 1: Mild resistance
 - Grade 2: Moderate resistance
 - Grade 3: High resistance
 - Grade 4: Very high resistance



Test Door Mass

- 7 Grades are identified:
- Grade 0: 10kg
 - Grade 1: 20kg
 - Grade 2: 40kg
 - Grade 3: 60kg
 - Grade 4: 80kg
 - Grade 5: 100kg
 - Grade 6: 120kg

Fire Suitability

- 2 Grades are identified:
- Grade 0: Not suitable for fire/smoke resistant door assemblies
 - Grade 1: Suitable for fire/smoke resistant door assemblies

Security

- 2 Grades are identified:
- Grade 0: Not suitable for use on burglar resistant door assemblies
 - Grade 1: Suitable for applications requiring a degree of security

Safety

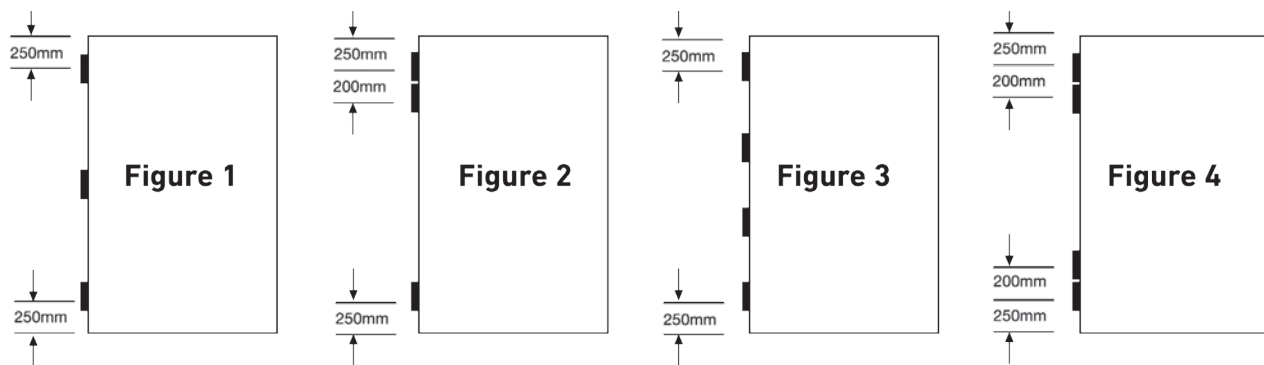
- Grade 1: Safe to use

Selecting a hinge by door weight alone is bad practice. In order to ensure the correct hinge is specified, you need to understand the intended use of the building and calculate the overall door mass accordingly. The overall door mass includes, door weight, allowances for frequency of use, excess width side loading, the inclusion of door closers and all other door hardware. Follow the simple code of practice to ensure correct hinge specification - if in doubt, seek assistance from the manufacturer.

CALCULATE DOOR WEIGHT TO ACTUAL DOOR MASS			
ACTUAL DOOR WEIGHT	Doors with excessive width, refer to side loading calculation table	+?%	= ACTUAL DOOR MASS
	Door closer	+20%	
	Door closer (incorporating back check or hold open facility)	+75%	
	Light usage application	-10%	
	Extra heavy usage application	+10%	

SIDE LOADING CALCULATION TABLE				
CALCULATE EXCESSIVE DOOR WIDTH	Door Height (mm)	Door Width (mm)	Factor	Increase In Door Mass Required
<p>The actual door mass will require increasing by the factor calculated between the door height and the door width.</p> <p>This is calculated by dividing the door height by the door width.</p> <p>If the factor is less than 2, the door mass is required to be increased by the value between the factor and 2, expressed as a percentage.</p> <p>Percentage examples are listed in the table to the right.</p>	2000	1000	2.00	0%
	2000	1050	1.90	+10%
	2000	1100	1.82	+18%
	2000	1150	1.74	+26%
	2000	1200	1.67	+33%
	2000	1250	1.60	+40%
	2000	1300	1.54	+46%

HINGE SPACING : CODE OF PRACTICE



- FIGURE 1:** The standard practice and most common, providing maximum resistance to 'warping', hinges are spaced as shown.
- FIGURE 2:** Where overhead door closers are used, additional lateral forces are applied to the top hinge. Whilst this is taken into consideration within the design calculation, to reduce the lateral force to the top hinge, it is recommended that the hinges are spaced as shown.
- FIGURE 3:** Where the door width is more than 1000mm or the door mass exceeds that allowed for 3 hinges, additional hinges can be fitted. Equal spacing shown provides maximum resistance to 'warping', based on 4 hinges, the design door mass can be calculated as per 'side load calculation' table before determining the suitable grade of hinge.
- FIGURE 4:** Where overhead door closers are used within the example illustrated in Figure 3, due to the increased lateral forces created by the closer on the top hinge, it is recommended that the hinges are spaced as shown.

BUTT HINGE APPLICATIONS:

WASHERED/PLAIN HINGES

Hollow core panel doors
Light duty doors (housing)
FD30 (Grade 7/Grade 10/Grade 11)

BALL BEARING HINGES

Solid core doors
FD30 (Grade 11)
FD30/60 ((Grade 13/Grade 14)
Heavy/medium duty doors (offices/apartments)
Performance grade matched to door mass

SPECIALIST HINGE APPLICATIONS:

DOG BOLT/SECURITY HINGES

Used on external doors where the pin is vulnerable to attack
Security stud which locks both leaves together when in closed position

HOSPITAL TIP/ANTI LIGATURE HINGES

Used on doors where there is a potential for self harm
Bevelled knuckle to prevent ligature being applied to the hinge

H2N/H3N HINGE APPLICATIONS

H2N/H3N HINGES

FD30/60 (Grade 13/Grade 14)
Maintenance free
Severe duty doors (hospitals/schools/public buildings)
Performance grade to suit door mass

H2N/H3N LIFT OFF HINGE APPLICATIONS

H2N/H3N LIFT OFF HINGES

Solid core doors
FD30 (Grade 11)
FD30/60 (Grade 13)
Heavy duty (offices/schools)
Frames and doors can be supplied at different stages of the build
Allow for fast replacement of door, if damaged

PROJECTION HINGES

Projection hinges come in various shapes and sizes.
Most common are:

Parliament
Broad butt (projection varies by door thickness)

These are used to overcome architraves and frame details when the door needs to open to 180°.

The “projection” is the distance between the face of the door and the frame when the door is in the open position.

HINGE DRILLING PATTERNS



TEMPLATE 'ANSI' (most common)



ZIG ZAG 'congruent'



STRAIGHT

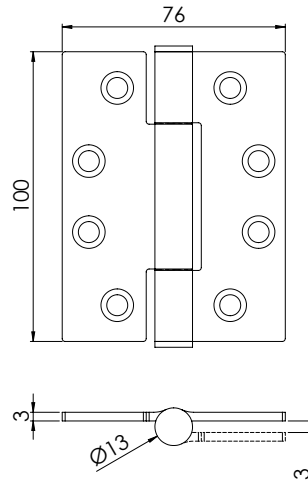
H3N1207/14
Grade 14 Concealed Bearing
Triple Knuckle Hinge

H3N1207/14/R
Radius

SSS

160Kg
Max Loading

INT1433
Intumescent Hinge Pack



APPROVED PRODUCT
CF339



BS EN 1935:2002

2812 - CPR - AC0095

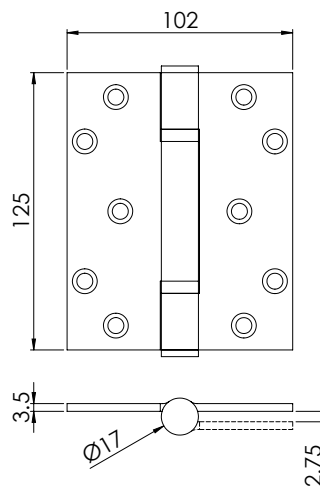
4	7	7	1	1	4	0	14
---	---	---	---	---	---	---	----

H2N1121/14
Grade 14 Thrust Bearing Hinge
Non Removable Pin

H2N1121/14/R
Radius

SSS

160Kg
Max Loading



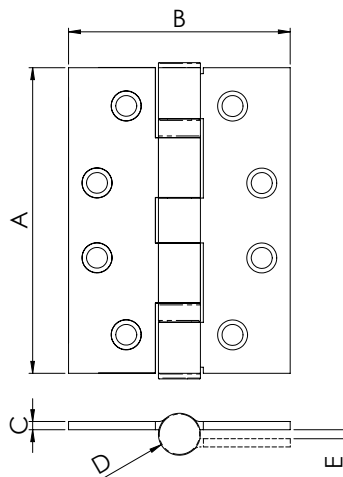
APPROVED PRODUCT
CF339



BS EN 1935:2002

2812 - CPR - AC0095

4	7	7	1	1	4	0	14
---	---	---	---	---	---	---	----



CEN1433/13
Grade 13 CE Bearing Hinge
Grade 316



***CEN1443/13**



CEN1433/13/R
***CEN1443/13/R**
Radius



120Kg
Max Loading

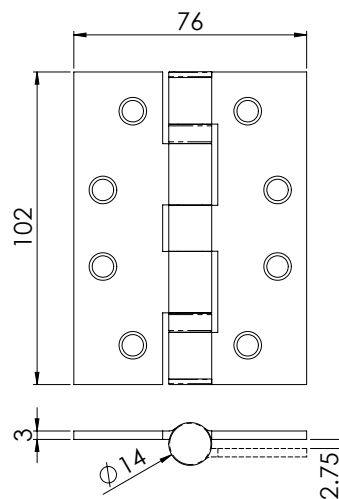
INT1433
INT1443
Intumescent Hinge Pack

*Not suitable for use on FD30

	A	B	C	D	E
CEN1433/13	102	76	3	14	2.75
CEN1443/13	102	102	3	14	2.75



BS EN 1935:2002							
2812 - CPR - AC0035							
4	7	6	1	1	4	0	13



HIN1433/13
Grade 13 CE Bearing Hinge



HIN1433/R
Radius



120Kg
Max Loading

INT1433
Intumescent Hinge Pack



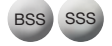
BS EN 1935:2002							
2812 - CPR - AC0035							
4	7	6	1	1	4	0	13



HIN1433P/13
Grade 13 Plain Ball Bearing Hinge
HIN1433P/13/R
Radius



HIN1433P/13/3P
3 Pack



***HIN1443P/13**



120Kg
Max Loading

INT1433
INT1443
Intumescent Hinge Pack

*Not suitable for use on FD30



HIN1433P/13AB
Antique Brass



HIN1433P/13MB
Matt Black



HIN1433P/13MBRZ
Matt Bronze



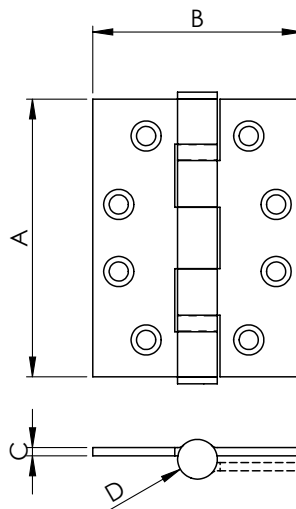
HIN1433P/13BSS
Bright Stainless Steel



HIN1433P/13SB
Satin Brass



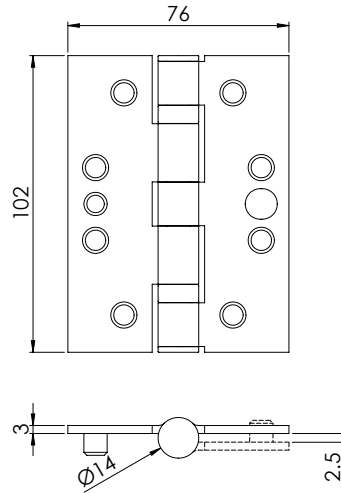
HIN1433P/13SSS
Satin Stainless Steel



	A	B	C	D	E
HIN1433P/13	102	76	3	14	2.75
HIN1443P/13	102	102	3	14	2.75



BS EN 1935:2002						
2812 - CPR - AC5103						
4	7	6	1	1	4	13



HIN1433SEC/13
Grade 13 Ball Bearing
Security Hinge

HIN1433SEC/R
Radius



120Kg
Max Loading

INT1433
Intumescent Hinge Pack



BS EN 1935:2002							
2812 - CPR - AC0170							
4	7	6	1	1	4	1	13

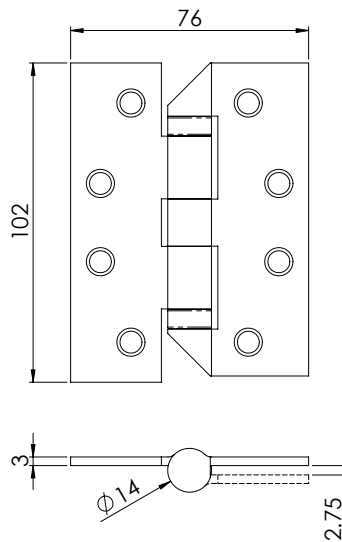
HIN1433HT/13
Grade 13 Ball Bearing
Hospital Tip Hinge
TS001 November 2005

HIN1433HT/13/R
Radius



120Kg
Max Loading

INT1433
Intumescent Hinge Pack



BS EN 1935:2002							
2812 - CPR - AC0035							
4	7	6	1	1	4	0	13

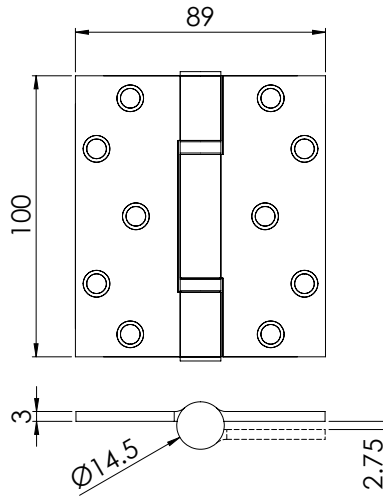


H2N1102/13
Grade 13 Thrust Bearing Hinge
Non Removable Pin

SSS

120Kg
Max Loading

INT1102
Intumescent Hinge Pack



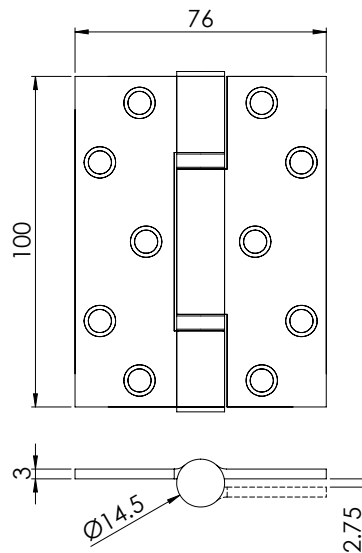
BS EN 1935:2002							
2812 - CPR - AC0035							
4	7	6	1	1	4	0	13

H2N1103/13
Grade 13 Thrust Bearing Hinge
Non Removable Pin

SSS

120Kg
Max Loading

INT1433
Intumescent Hinge Pack



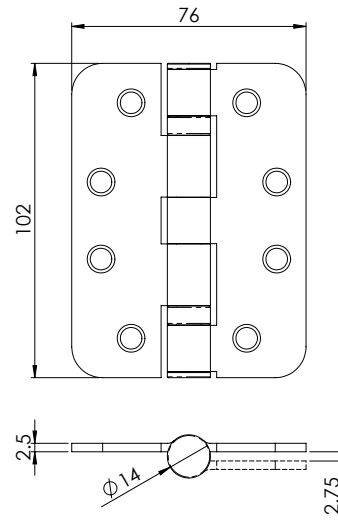
BS EN 1935:2002							
2812 - CPR - AC0035							
4	7	6	1	1	4	0	13

HIN14325/13/R
Grade 13 Ball Bearing Hinge
Radius - 3 Pack

HIN14325/13
Square - 3 Pack

120Kg
Max Loading

INT1433
Intumescent Hinge Pack



BS EN 1935:2002							
2812 - CPR - AC0035							
4	7	6	1	1	4	0	13

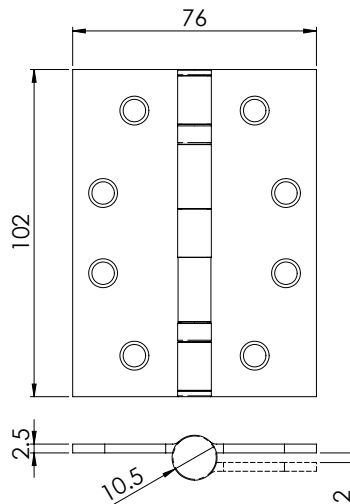
APPROVED PRODUCT
CF339



SCH14325/13
Grade 13 Slim Knuckle Hinge
10mm Dia. Narrow Knuckle

120Kg
Max Loading

INT1433
Intumescent Hinge Pack



BS EN 1935:2002							
2812 - CPR - AC0035							
4	7	6	1	1	4	0	13

APPROVED PRODUCT
CF339



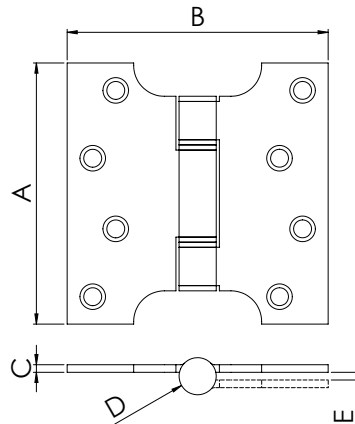
H2N1424
H2N1435
H2N1446

Grade 13 Parliament Hinge



120Kg
 Max Loading

INT1433
 Intumescent Hinge Pack



	A	B	C	D	E
H2N1424	102	102	3	14.5	2.75
H2N1435	127	127	3	14.5	2.75
H2N1446	152	152	3	14.5	2.75



BS EN 1193:2002							
2812 - CPR - AC0035							
4	7	6	1	1	4	0	13

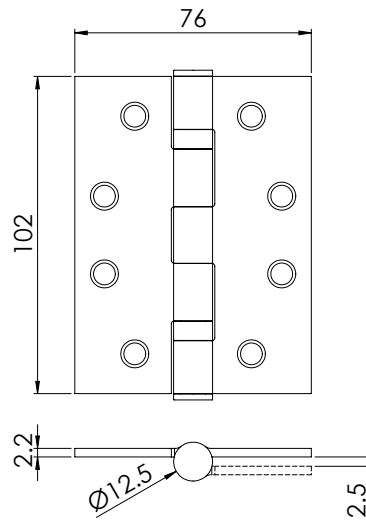


HIN14322/11
Grade 11 CE Bearing Hinge

BSS SSS

80Kg
Max Loading

INT1433
Intumescent Hinge Pack



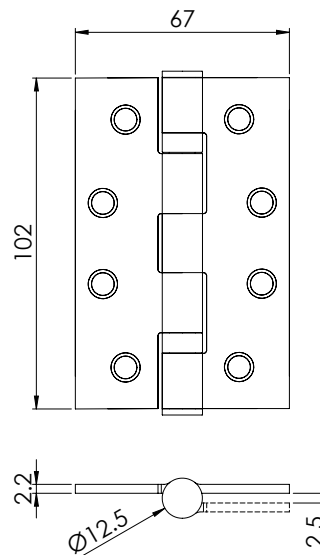
BS EN 1935:2002							
2812 - CPR - AC0096							
3	7	4	1	1	4	0	11



HIN14252/11
Grade 11 CE Bearing Hinge

BSS SSS

80Kg
Max Loading



BS EN 1935:2002							
2812 - CPR - AC0096							
3	7	4	1	1	4	0	11

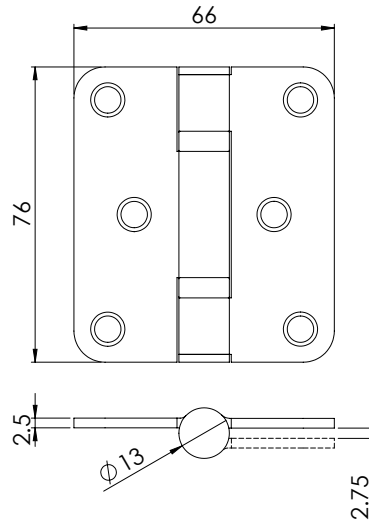


HIN13225/11R
Grade 11 CE Bearing Hinge
Radius

HIN13225/11
Square



80Kg
Max Loading



APPROVED PRODUCT
CF339



BS EN 1935:2002							
2812 - CPR - AC0096							
3	7	4	1	1	4	0	11

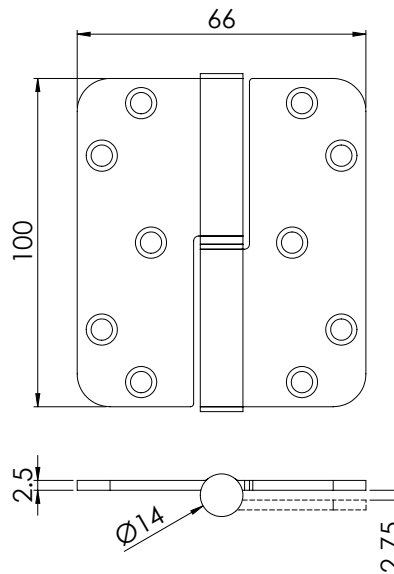
H3N1101/11/R/LEF
Grade 11 Lift Off Full Leaf Hinge
Radius - Left Hand

H3N1101/11/R/RIG
Right Hand



80Kg
Max Loading

INT1102
Intumescent Hinge Pack



APPROVED PRODUCT
CF339



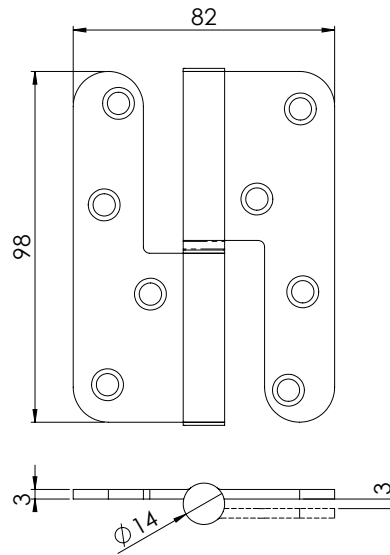
BS EN 1935:2002							
2812 - CPR - AC0167							
3	7	4	1	1	3	0	11

H3N1105/11/R/LEF
Grade 11 Lift Off Journal Support Hinge
Radius - Left Hand

H3N1105/11/R/RIG
Right Hand

PC SZP

80Kg
Max Loading

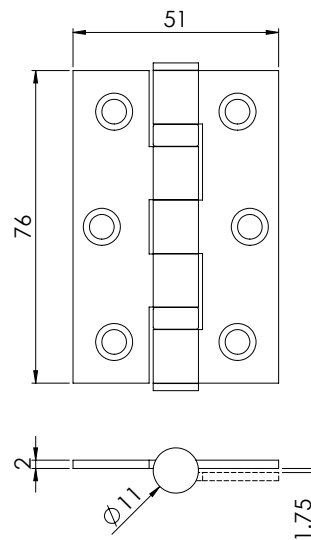


BS EN 1935:2002							
2812 - CPR - AC0167							
3	7	4	1	1	3	0	11

HIN1322/7
Grade 7 CE Bearing Hinge

BSS PVD SSS

40Kg
Max Loading



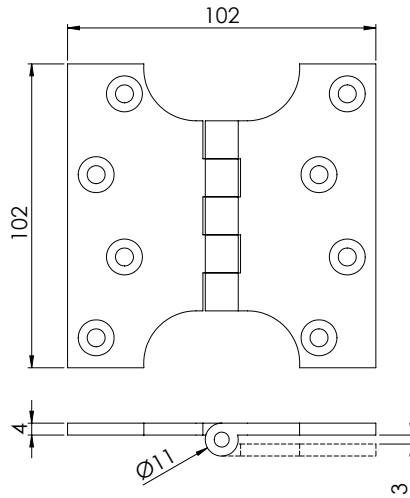
BS EN 1935:2002							
2812 - CPR - AC0128							
2	7	6	1	1	4	0	7

HIN3424
Solid Brass Parliament Hinge

PC SC

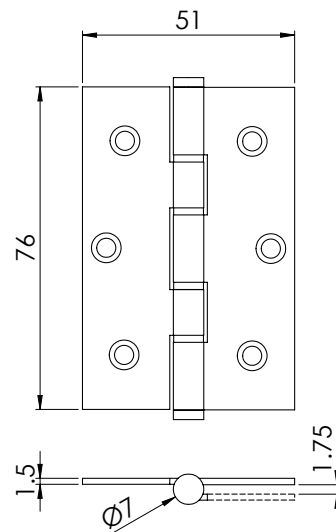
HIN2424

PB



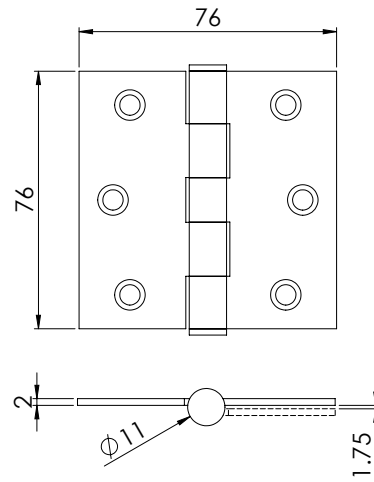
HIW13215
Washed Hinge

BSS SSS



HIP1332
Plain Hinge

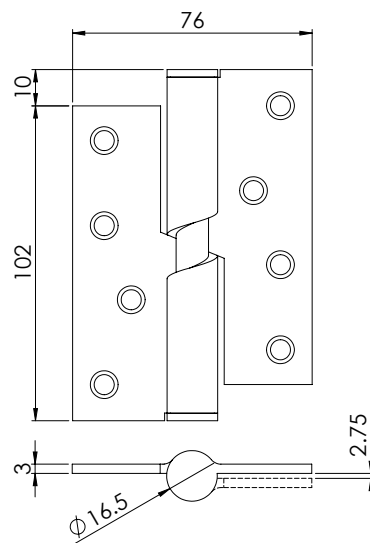
BSS SSS



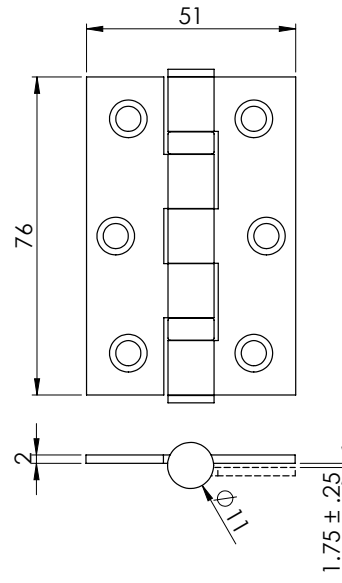
RBH1433LEF
Rising Butt Hinge - Left Hand

RBH1433RIG
Rising Butt Hinge - Right Hand

SSS



HIN1322
Ball Bearing Hinge



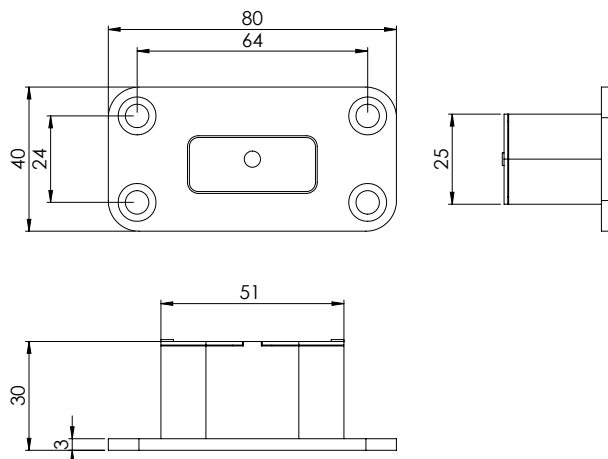
HIN1322CP
Polished Chrome



HIN1322SNP
Satin Nickel



H2N1950
Emergency Release Door Stop

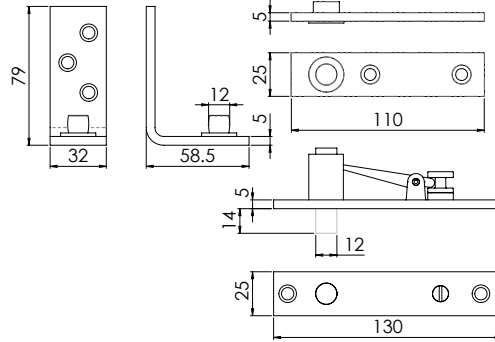


H2N1900
Standard Thrust Bearing
Pivot Set

H2N1900/R
Radius

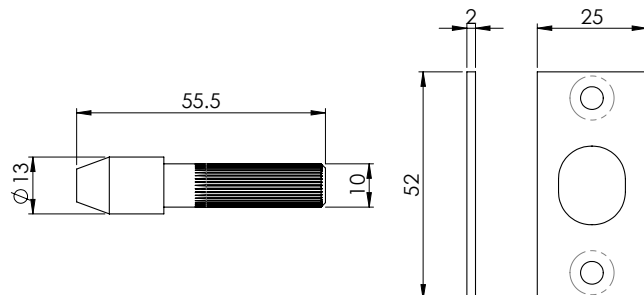
SSS

80Kg
Max Loading



AHB1000G316
Security Hinge Bolt Set
Grade 316

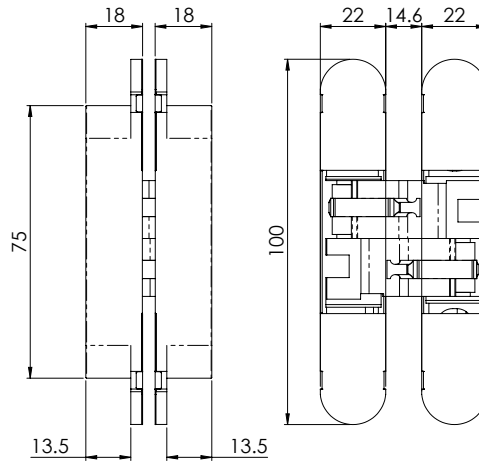
SSS



CI001129
3D Adjustable Concealed Hinge



25Kg
Max Loading 2 Hinges
40Kg
Max Loading 3 Hinges



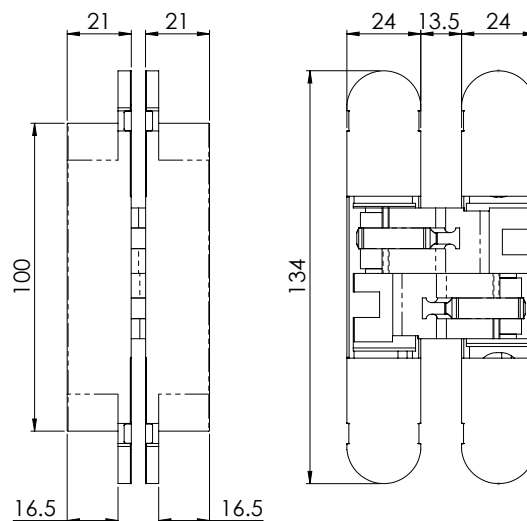
CI001130
3D Adjustable Concealed Hinge

New



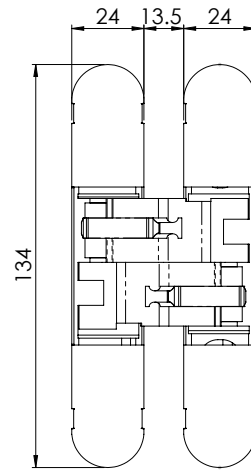
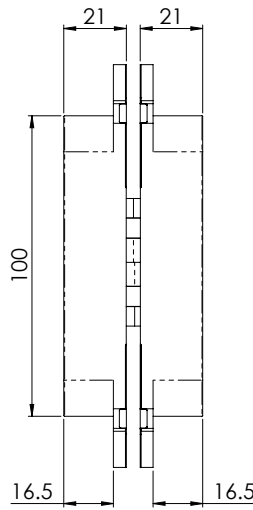
40Kg
Max Loading 2 Hinges
60Kg
Max Loading 3 Hinges

ES1130
Intumescent Hinge Pack



CI001131
3D Adjustable Concealed Hinge

New



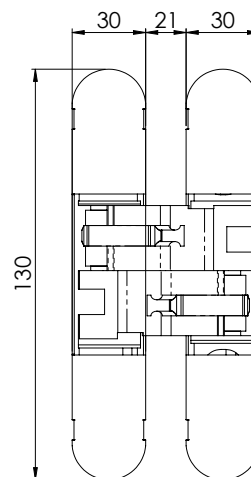
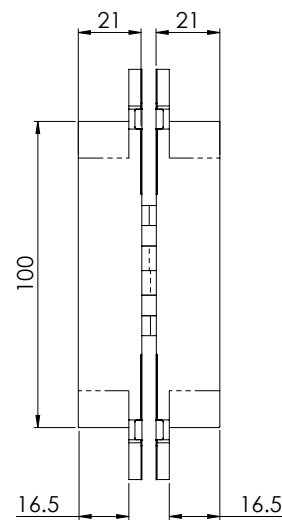
80Kg
Max Loading 2 Hinges
120Kg
Max Loading 3 Hinges

ES1131
Intumescent Hinge Pack
Also fire rated E120 timber



CI001230
3D Adjustable Concealed Hinge

New



50Kg
Max Loading 2 Hinges
70Kg
Max Loading 3 Hinges

ES1230
Intumescent Hinge Pack



CEAM FINISH	CARLISLE BRASS FINISH
<p>NIK NIK Nichelato</p>	<p>PN PN Polished Nickel</p>
<p>VNO VNO Verniciato Nero Opaco</p>	<p>MB MB Matt Black</p>
<p>VCH VCH Champagne</p>	<p>SNP SN Satin Nickel</p>
<p>BRO BRO Bronzato</p>	<p>MBRZ MBRZ Matt Bronze</p>
<p>BRS BRS Bronzo Spazzolato</p>	<p>AB AB Antique Brass</p>
<p>OTT OTT Ottonato</p>	<p>PB PB Polished Brass</p>
<p>OSG OSG Ottonato Satinado Galvanise</p>	<p>SB SB Satin Brass</p>
<p>ARG ARG Verniciato Argento</p>	<p>SV SV Silver</p>



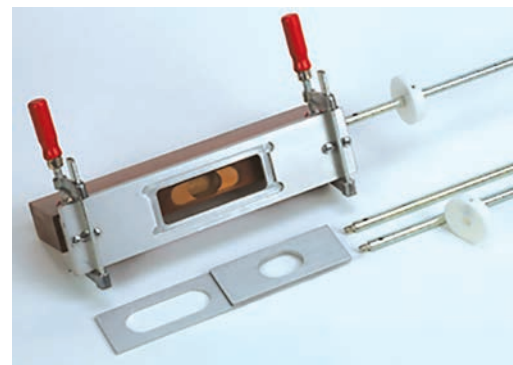
CONCEALED HINGE SELECTOR CHART

Code	Dimensions	Mortice Depth	Min Door Width	Max Distance From Leading	Range of reversibility when fitted in centre of door	Load Capacity 2 Hinges	Load Capacity 3 Hinges	Suitable for fire doors
1129	100x22x18mm	18mm	28mm	4.5mm	28-31mm	25kg	40kg	N
1130	130x24x21mm	21mm	30mm	4.5mm	30-33mm	40kg	60kg	Y
1131	160x32x29mm	29mm	38mm	7mm	38-46mm	80kg	120kg	Y
1230	130x30x21mm	21mm	35mm	7.5mm	35-45mm	50kg	70kg	Y

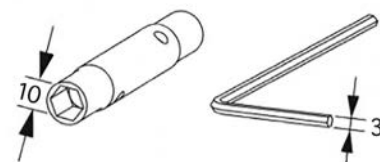
AVAILABLE ACCESSORIES

Code	Name	Inner box qty
DIMECON2ART1130	1129 and 1130 3D concealed hinge fitting jig	1 set
DIMECON2ART1131	1131 - 1230 3D concealed hinge fitting jig	1 set
CIOFRESA00000	1131 - 1230 3D concealed hinge fitting jig	1 set
CIOODIMA01131	Insert set for 3D concealed hinge fitting jig to fit 1131 hinges	1 pair
CIOODIMA01230	Insert set for 3D concealed hinge fitting jig to fit 1230 hinges	1 pair
CIOODIMA01129	Insert set for 3D concealed hinge fitting jig to fit 1129 hinges	1 pair
UPSETREG1	Tool set for hinge adjustment 1129-1130	1 set
UPSETREG2	Tool set for hinge adjustment 1230-1131	1 set

CONCEALED HINGE FITTING JIG



UPSETREG2



CARE AND MAINTENANCE OF CONCEALED HINGES

When installed as per recommended tolerances and fitting guidelines, Ceam concealed hinges are relatively maintenance free, however, it is advisable to lubricate the hinges, using a dry PTFE spray when required (once every two years as minimum) and adjust as necessary.

These concealed hinges are suitable for interior installations. For exterior fitting please contact sales office for information on SS G304 hinge (1080 Inox).

These concealed Hinges are not to be used with door closers other than: Eurospec DCC2024CF concealed closer and DCC2024SM cam action surface mounted closers.

PLEASE NOTE: Ceam products are not supplied with screws.



Door Controls

Door Controls

- Comprehensive, fully tested range of door closers
- Designed to ensure fire doors shut safely every time
- Product offering includes variable and fixed power door closers, as well as the accessories and cover packs
- Suitable for a wide variety of private, commercial and public sector projects

Architectural Door Closers

- CE marked and fire door rated
- Certified to BS EN 1154
- Meets the requirements of BS 8300 - 2:2018
- Door closers are suitable for left and right hand applications and are Certifire approved to CF5087
- Select the correct intumescent pack to ensure the product adheres to the latest fire regulations

Project Door Closers

- Adjustable closing speed
- Fire door rated and CE marked to BS EN 1154 standards
- Certifire approved to CF5400

Electromagnetic Door Closers

- CE marked and certified to BS EN 1154 and BS EN 1155
- Meets the requirements of BS 8300 - 2:2018
- Fire door rated for use on 60 minute fire doors
- 2 year electrical guarantee and 10 year mechanical guarantee

Floor Spring

- CE marked and fire door rated to FD30
- Double action product with a maximum load capacity of 105kg
- Select the correct intumescent pack to ensure the product adheres to the latest fire regulations

Jamb Mounted Door Closer

- Suitable for use on fire doors
- Features a checked controlled closing action
- 2 year mechanical guarantee

BS EN 1154:1996 is the European standard for controlled door closing devices and, as such tests mechanical door closer performance. Adopted by EU member states, it became a mandatory requirement for CE marking in 2004. It prescribes the test methodology and subsequent classification of randomly selected production line products. The test data, together with supporting technical evaluation, results in a classification code. This coding allows comparison across a range of closers according to their compliance with the standard.

Digit 2 - Durability

Grade 8: 500,000 cycles.

The door closer shall be able to close a test door from opening angles of 90° for as minimum of 500,000 test cycles.

Double action door closers shall be able to close a test door from opening angles of 90° for a minimum of 250,000 test cycles in each direction.

Digit 1 - Category of Use

Grade 3: For closing doors from at least 105° open.

Grade 4: For closing doors from 180° open.

Digit 4 – Suitability for use on fire doors

Grade 0: not approved for use on fire/smoke door assemblies.

Grade 1: suitable for use on fire/smoke door assemblies.

Full requirement details can be found in Annex A.

Digit 5 - Safety

Grade 1: All door closers are required to satisfy the essential requirement of safety in use.

Digit 6 - Corrosion Resistance

Grade 0: No defined corrosion resistance.

Grade 1: 24 Hours (Mild resistance).

Grade 2: 48 Hours (Moderate resistance).

Grade 3: 96 Hours (High resistance).

Grade 4: 240 Hours (Very high resistance).

4

8

**5
2**

1

1

3

Digit 3 - Test Door Mass

Door Closer power size	Recommended door leaf width	Test door mass	Closing moment				Opening moment between 0* and 60*	Door efficiency between 0* and 4*
			between 0* and 42*		between 88* and 92*	any other angle of opening		
			Nm min	Nm max				
	Mm max	Kg						
1	< 750	20	9	<13	3	2	26	50
2	850	40	13	<18	4	3	36	50
3	950	60	18	<26	6	4	47	55
4	1100	80	26	<37	9	6	62	60
5	1250	100	37	<54	12	8	83	65
6	1400	120	54	<87	18	11	134	65
7	1600	160	87	<140	29	18	215	65



DCC2024CF/SV
Concealed Slim Door Closer
Variable Power Size 2-4



DCC2024CF/PNP/FCP
Closer c/w Cover Pack



DCC2024CF/SNP/FCP
Closer c/w Cover Pack



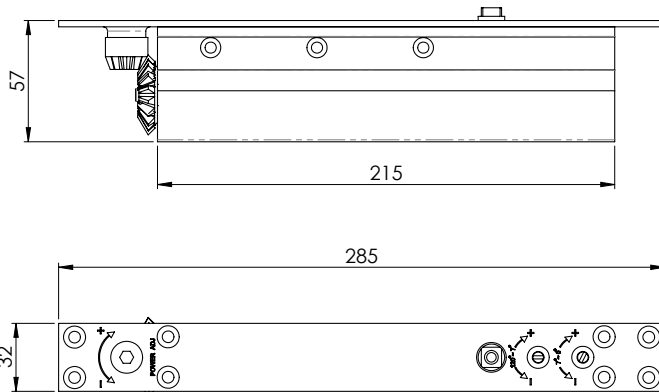
INT2024
Intumescent Pack for FD30

INT2024/60
Intumescent Pack for FD60

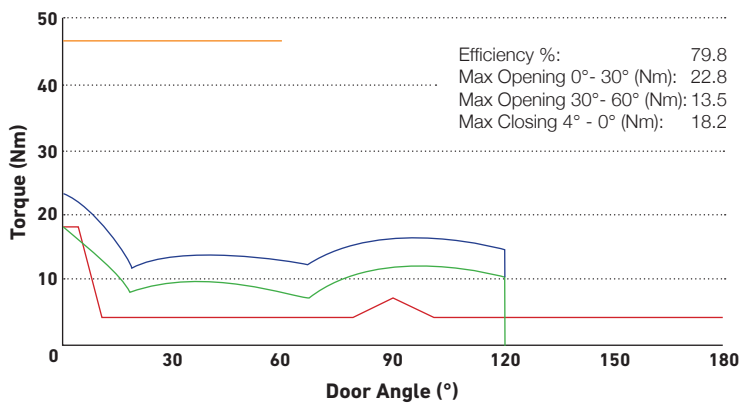
Suitable for left and right hand application

Suitable for fire door use on all applications

Suitable for doors up to 80kg and/or 1100mm wide



- Max Closing Moment (EN)
- Opening Moment
- Closing Moment
- Min Closing Moment (EN)



The DCC2024CF concealed door closer has an opening force (0-30°) less than 30N when fitted to a minimum width door of 760mm, and has an opening force (30-60°) less than 22.5N when fitted to a minimum width door of 600mm tested in laboratory conditions. Therefore the suitable width of door for the DCC2024CF concealed door closer fixed in the above fixing position is 760mm.



EN1154:1996 + A1:2002 + AC:2006					
2812 - CPR - AD5036					
3	8	4 2	1	1	3



DCC2024SM/SV
Surface Mounted Slim H.E Door Closer
Variable Power Size 2-4



DCC2024SM/PNP/FCP
Closer c/w Cover Pack



DCC2024SM/SNP/FCP
Closer c/w Cover Pack



DCC2024SM/SV/FCP
Closer c/w Cover Pack

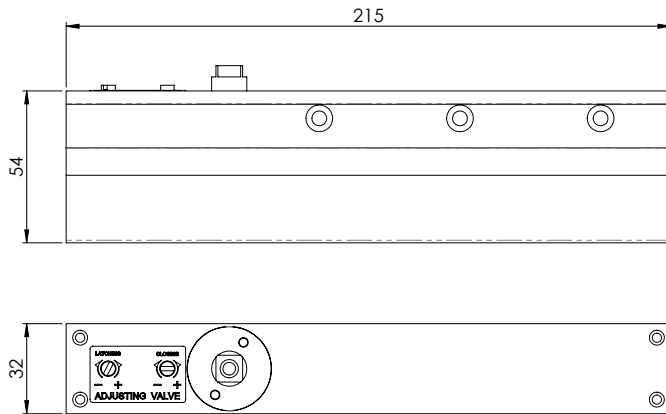


Suitable for left and right hand application

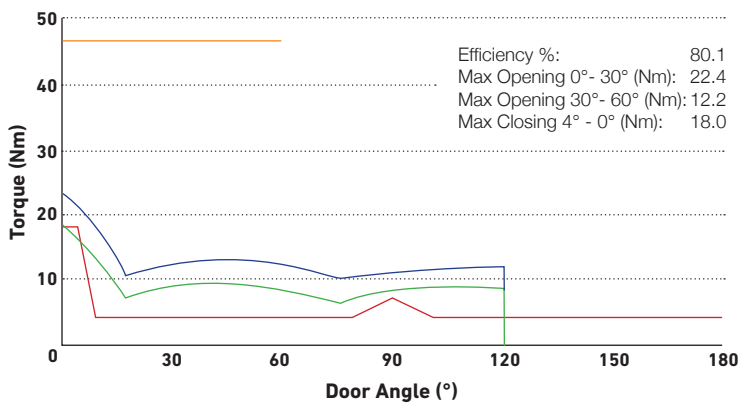
Suitable for fire door use on all applications

Suitable for doors up to 80kg and/or 1100mm wide

Suitable for fully insulated steel doorsets only



- Max Closing Moment (EN)
- Opening Moment
- Closing Moment
- Min Closing Moment (EN)



The DCC2024SM surface mounted slim H.E door closer has an opening force (0-30°) less than 30N when fitted to a minimum width door of 747mm, and has an opening force (30-60°) less than 22.5N when fitted to a minimum width door of 542mm tested in laboratory conditions. Therefore the suitable width of door for the DCC2024SM surface mounted slim H.E door closer fixed in the above fixing position is 747mm.



EN1154:1996 + A1:2002 + AC:2006					
2812 - CPR - AD5036					
3	8	4 2	1	1	3

DCS2026BC/SV
Heavy Duty Overhead Door Closer
Variable Power Size 2-6



DCS2026BC/SSS/FCP
Closer c/w Cover Pack



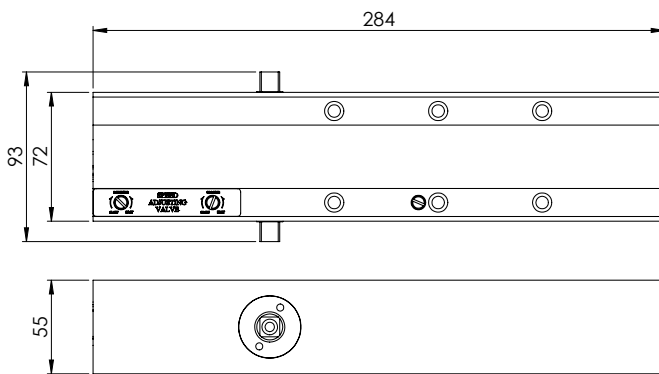
Suitable for left and right hand application

Suitable for fire door use

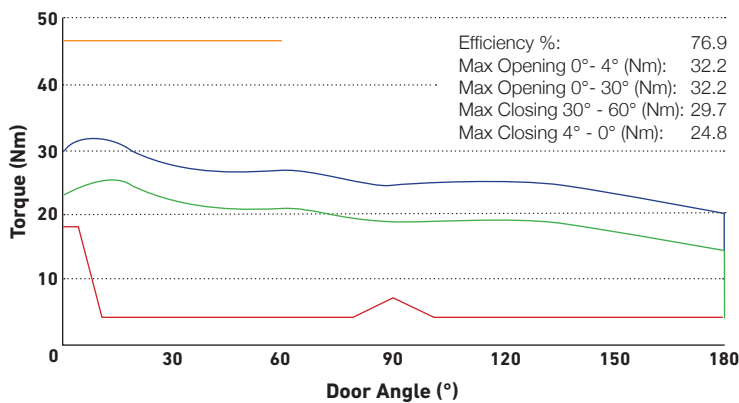
Suitable for doors up to 120kg and/or 1400mm wide

Supplied with backcheck as standard

Simple power size adjustment with supplied key



- Max Closing Moment (EN)
- Opening Moment
- Closing Moment
- Min Closing Moment (EN)



The DCS2026BC overhead door closer has an opening force (0-30°) less than 33N when fitted to a minimum width door of 1030mm, and has an opening force (30-60°) less than 22.5N when fitted to a minimum width door of 926mm tested in laboratory conditions. Therefore the suitable width of door for the DCS2026BC overhead door closer fixed in the above fixing position is 1030mm. (Power trace taken at 0 cycles).

EN1154:1996 + A1:2002 + AC:2006						
2812 - CPR - AD0200						
Fig 1	4	8	6 2	1	1	3
Fig 6	3	8	5 4	1	1	3



CDG025/PNP
CDG025/SNP
CDG025/SV

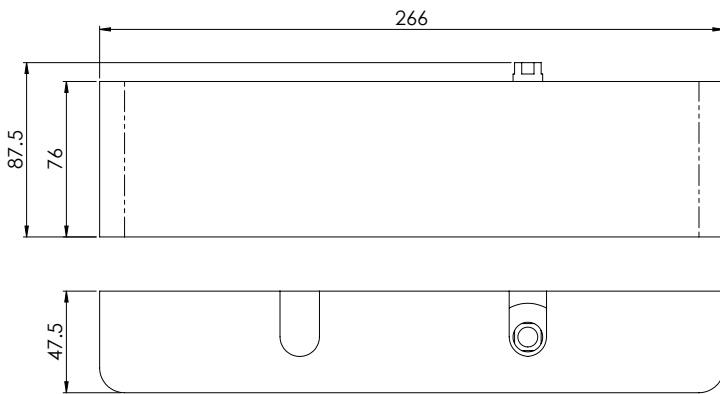
Full Cover Overhead Door Closer
 Variable Power Size 2-5



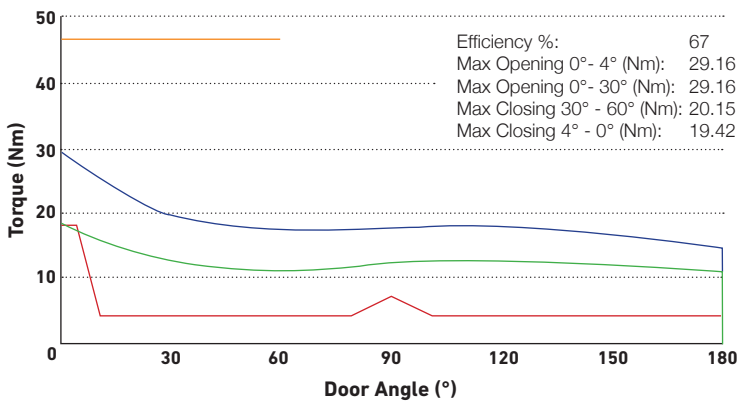
Suitable for left and right hand application

Suitable for fire door use

Suitable for doors up to 100kg and/or 1250mm wide



- Max Closing Moment (EN)
- Opening Moment
- Closing Moment
- Min Closing Moment (EN)



The CDG025 overhead door closer has an opening force (0-30°) less than 30N when fitted to a minimum width door of 926mm, and has an opening force (30-60°) less than 22.5N when fitted to a minimum width door of 838mm tested in laboratory conditions. Therefore the suitable width of door for the CDG025 overhead door closer fixed in the above fixing position is 926mm.



EN1154:1996 + A1:2002 + AC:2006						
2812 - CPR - AD5397						
Fig 1	3	8	5 2	1	1	3
Fig 6	3	8	4 2	1	1	3

DCS2024BC/SV
Medium Frequency Overhead Door Closer
Variable Power Size 2-4



DCS2024BC/PNP/FCP
Closer c/w Cover Pack



DCS2024BC/SNP/FCP
Closer c/w Cover Pack



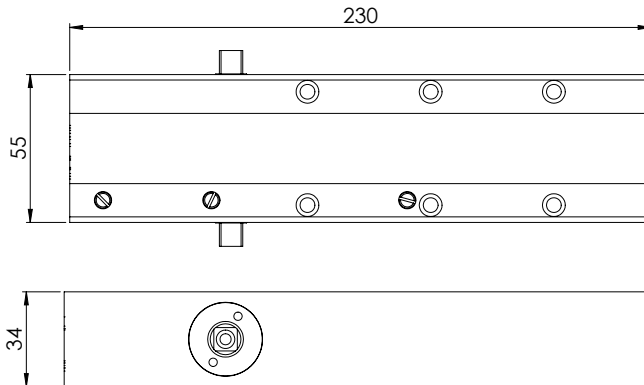
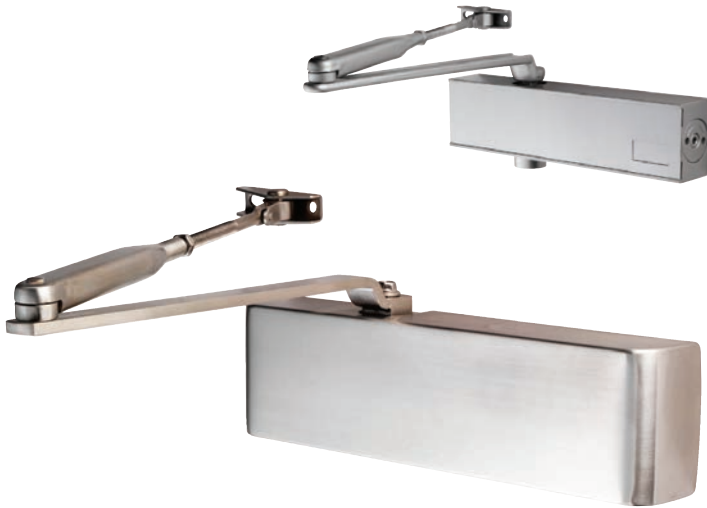
Suitable for left and right hand application

Suitable for fire door use

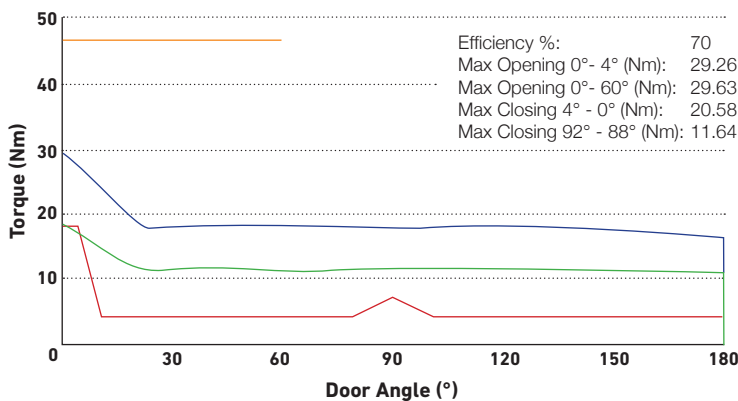
Suitable for doors up to 80kg and/or 1100mm wide

Supplied with backcheck as standard

Simple power size adjustment with supplied key



- Max Closing Moment (EN)
- Opening Moment
- Closing Moment
- Min Closing Moment (EN)



The DCS2024BC overhead door closer has an opening force (0-30°) less than 30N when fitted to a minimum width door of 926mm, and has an opening force (30-60°) less than 22.5N when fitted to a minimum width door of 838mm tested in laboratory conditions. Therefore the suitable width of door for the DCS2024BC overhead door closer fixed in the above fixing position is 926mm.



EN1154:1996 + A1:2002 + AC:2006						
2812 - CPR - AD0198						
Fig 1	4	8	4 2	1	1	3
Fig 6	4	8	4 2	1	1	3



DCT2024/SV
Medium Frequency Overhead Door Closer
Variable Power Size 2-4



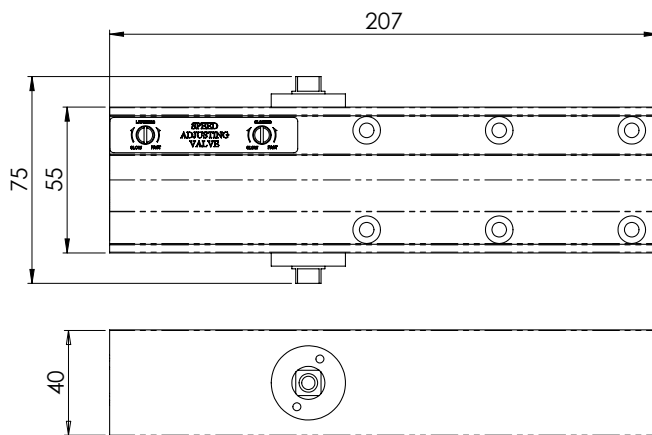
DCT2024BC/SV
Back Check



DCT2024PNP/FCP
DCT2024BC/PNP/FCP
Closer c/w Cover Pack



DCT2024SNP/FCP
DCT2024BC/SNP/FCP
Closer c/w Cover Pack



Suitable for left and right hand application

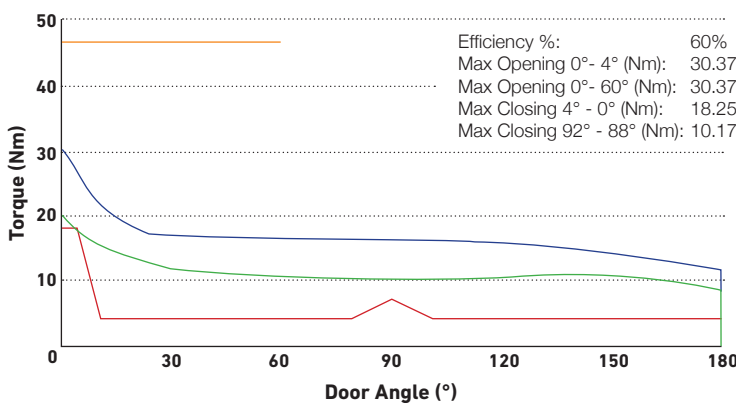
Suitable for fire door use
Suitable for fully insulated steel doorsets only

Suitable for doors up to 80kg and/or 1100mm wide

Simple power size adjustment with supplied key

Back check not covered by CE or Certifire

- Max Closing Moment (EN)
- Opening Moment
- Closing Moment
- Min Closing Moment (EN)



The DCT2024 & DCT2024BC overhead door closer has an opening force (0-30°) less than 31N when fitted to a minimum width door of 948mm, and has an opening force (30-60°) less than 22.5N when fitted to a minimum width door of 838mm tested in laboratory conditions. Therefore the suitable width of door for the DCT2024 & DCT2024BC overhead door closer fixed in the above fixing position is 948mm.



EN1154:1996 + A1:2002 + AC:2006						
2812 - CPR - AD0197						
Fig 1	4	8	4 2	1	1	3
Fig 6	4	8	3	1	1	3



DCF2003SV
General Overhead Door Closer
Fixed Power Size 3



DCF2003PNP/FCP
Closer c/w Cover Pack



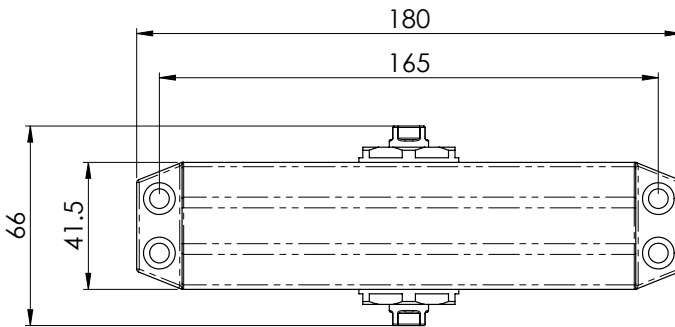
DCF2003SNP/FCP
Closer c/w Cover Pack



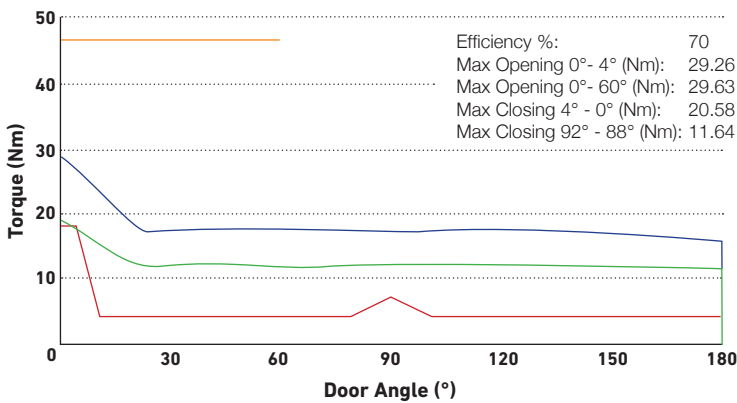
Suitable for left and right hand application

Suitable for fire door use
Suitable for fully insulated steel doorsets only

Suitable for doors up to 60kg and/or 950mm wide



- Max Closing Moment (EN)
- Opening Moment
- Closing Moment
- Min Closing Moment (EN)



The DCF2003 overhead door closer has an opening force (0-30°) less than 30N when fitted to a minimum width door of 926mm, and has an opening force (30-60°) less than 22.5N when fitted to a minimum width door of 838mm tested in laboratory conditions. Therefore the suitable width of door for the DCF2003 overhead door closer fixed in the above fixing position is 926mm.

EN1154:1996 + A1:2002 + AC:2006						
2812 - CPR - AD0196						
Fig 1	4	8	3	1	1	3
Fig 6	4	8	3	1	1	3



CDG420
Overhead Door Closer
Template Adjustable Size 2-4



Suitable for inward and outward opening doors

Suitable for timber fire doors up to 120 minutes

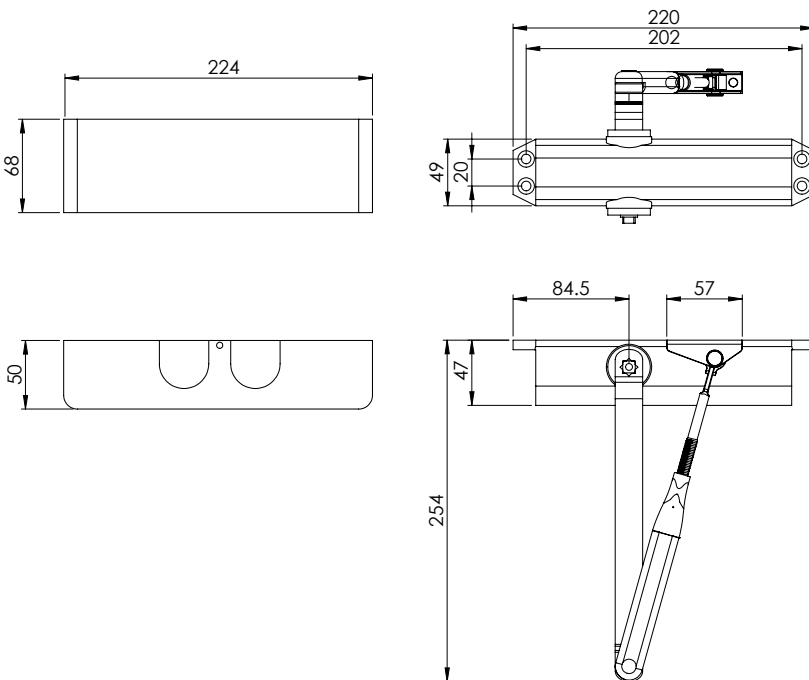
Suitable for doors up to 80kg and/or 1100mm wide (Fig 1)

Suitable for doors up to 60kg and/or 950mm wide (Fig 6 & Fig 61)

Certifire approved in installation applications Fig 1, Fig 6 & Fig 61

Backcheck (Fig 1)

CE Marked



EN1154:1996 + A1:2002 + AC:2006						
2812 - CPR - AD5462						
Fig 1	3	8	4 2	1	1	3
Fig 6	3	8	3	1	1	3
Fig 61	3	8	3 2	1	1	3



APPROVED PRODUCT
CF5400

CDG003/PNP
CDG003/SNP

Plated Full Cover Overhead Door Closer
Fixed Power Size 3



CDG003

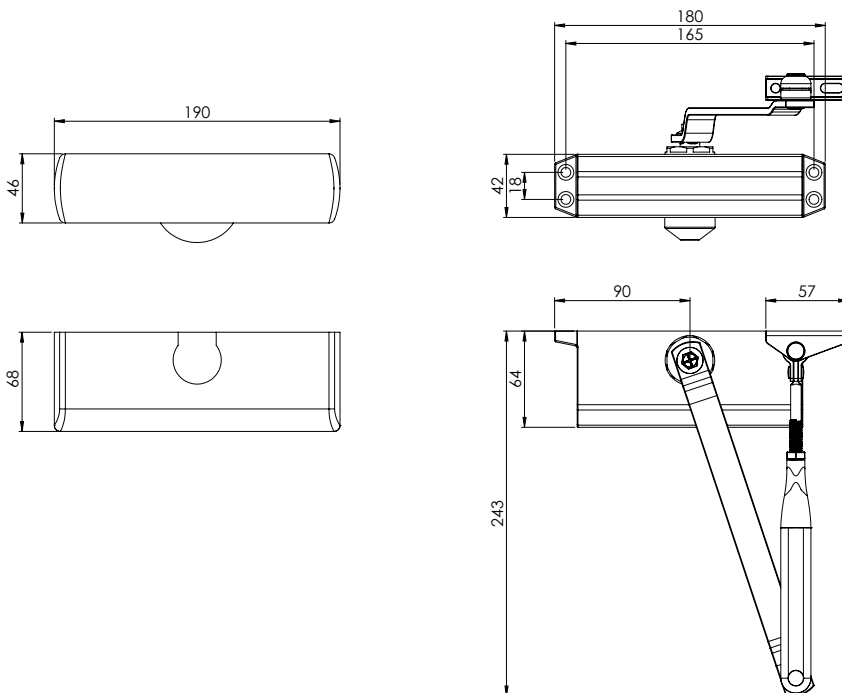
Overhead Door Closer
Fixed Power Size 3



Suitable for left and right
hand application

Suitable for fire door use

Suitable for doors up to 60kg
and/or 950mm wide



EN1154:1996 + A1:2002 + AC:2006						
2812 - CPR - AD5232						
Fig 1	4	8	3	1	1	3
Fig 6	3	8	3	1	1	3

BS EN 1155:1997 is the European standard for controlled door closing devices and, as such tests mechanical door closer performance. Adopted by EU member states, it became a mandatory requirement for CE marking in 2004. It prescribes the test methodology and subsequent classification of randomly selected production line products. The test data, together with supporting technical evaluation, results in a classification code. This coding allows comparison across a range of closers according to their compliance with the standard.

Door controls with electrical components, such as electromagnetic hold open devices, must also satisfy the requirements of both BS EN 1154:1996 and the supplementary standard, BS EN 1155:1997 for electrically controlled door operators.

Digit 2 - Durability

Grade 5: 50,000 test cycles for all electrically powered hold-open devices (the electrically powered hold-open device shall be able to release a test door from a hold-open angle of 90°, a minimum of 25,000 times when the electrical supply is removed, and a further 25,000 times when mechanically pulled from the hold-open position).

Grade 8: 500,000 test cycles for all electrically powered hold-open and free swing door closers, and devices that contain operating arms (full durability criteria can be found in cl 7.2.8.3 of the European Standard).

Digit 1 - Category of Use

Grade 3: For doors for use by the public, and others, with little incentive to take care, i.e. where there is some chance of misuse.

Note: For electrically powered hold-open and free swing door closers, where the opening angle is limited by the device, provision of a separate door stop should be considered.

Digit 4 – Suitability for use on fire doors

Grade 1: suitable for use on fire/smoke door assemblies.

The electrically powered hold-open device, representative of its type, shall have been included in a successful door test to prEN1634-1.

The test shall have been carried out on a full sized door assembly.

Digit 5 - Safety

Grade 1: All electrically powered hold-open devices are required to satisfy the essential requirement of safety in use.

Digit 6 - Corrosion Resistance

- Grade 0: No defined corrosion resistance.
- Grade 1: 24 Hours (Mild resistance).
- Grade 2: 48 Hours (Moderate resistance).
- Grade 3: 96 Hours (High resistance).
- Grade 4: 240 Hours (Very high resistance).



Digit 3 - Test Door Mass				
Hold-open power size	Recommended door leaf width	Test door mass	Overload test drop weight	Test door friction
	Mn max	Kg	Kg	Nm max
3	950	60	15	0,3
4	1100	80	18	0,4
5	1250	100	21	0,5
6	1400	120	27	0,6
7	1600	160	36	0,8

DCCEM3024/SV
Electromagnetic HO/FS Door Closer
Variable Power Size 2-4

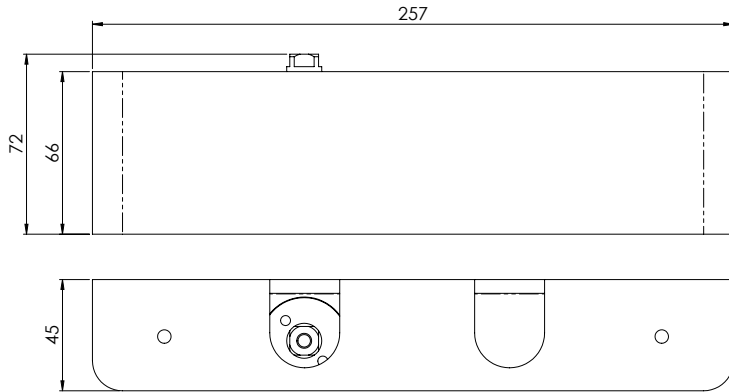


Suitable for left and right hand application

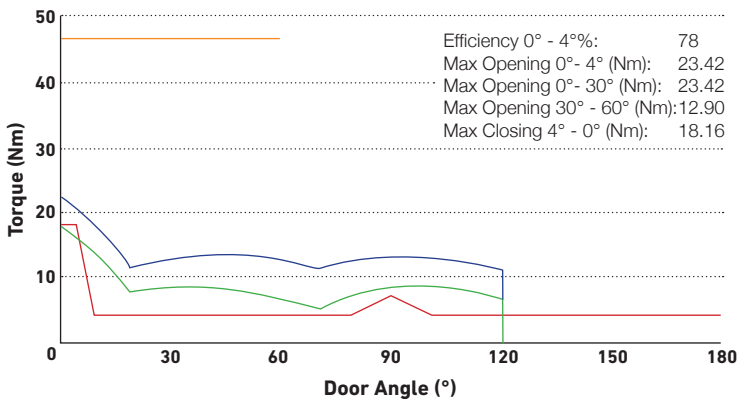
Suitable for fire door use

Suitable for doors up to 80kg and/or 1100mm wide

Power adjustment by spring



- Max Closing Moment (EN)
- Opening Moment
- Closing Moment
- Min Closing Moment (EN)



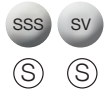
The DCCEM3024 surface mounted H.E door closer has an opening force (0-30°) less than 30N when fitted to a minimum width door of 781mm, and has an opening force (30-60°) less than 22.5N when fitted to a minimum width door of 573mm tested in laboratory conditions. Therefore the suitable width of door for the DCCEM3024 surface mounted H.E door closer fixed in the above fixing position is 781mm.



1121 - CPD - AD0191	08					
EN1154:1996 + A1:2002 + AC:2006	3	8	4 2	1	1	3
EN1155:1997 + A1:2002 + AC:2006	3	8	4 3	1	1	3



DCEM2004/SS
DCEM2004/SV
 Electromagnetic HO/FS Door Closer
 Fixed Power Size 4

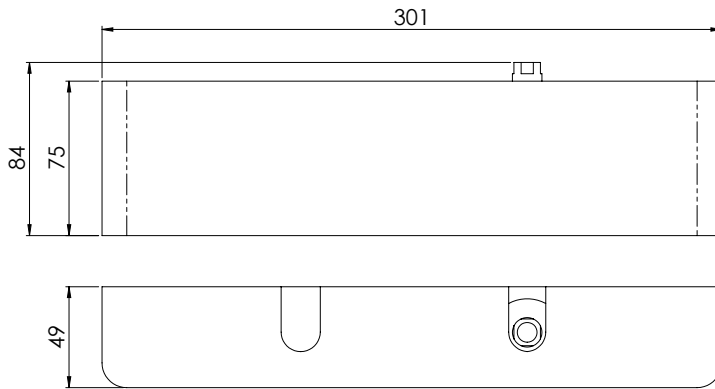


Suitable for left and right hand application

Suitable for fire door use

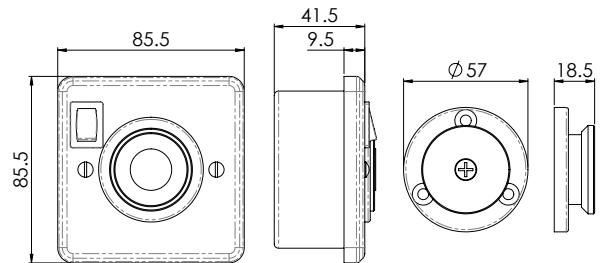
Suitable for doors up to 80kg and/or 1100mm wide

Hold open swing free arm included

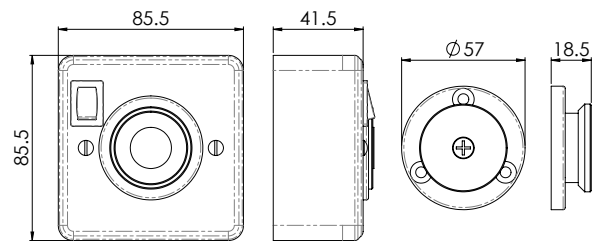


1121 - CPD - AE5001	12					
EN1154:1996 + A1:2002 + AC:2006	3	8	4	1	1	3
EN1155:1997 + A1:2002 + AC:2006	3	8	4	1	1	3

DEM100F/SV
Flush Mounted Wall Magnet



DEM100S/SV
Surface Mounted Wall Magnet



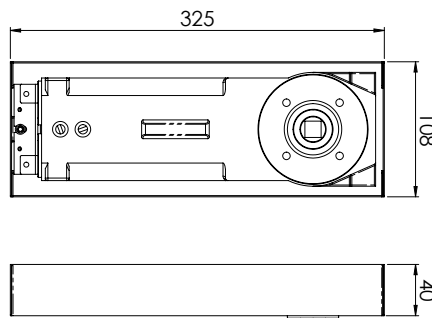
DCFS150/EN3
Double Action Floor Spring 105kg



Suitable for left and right hand application

Suitable for doors up to 105kg and/or 950mm wide

INT2500
Intumescent Pack



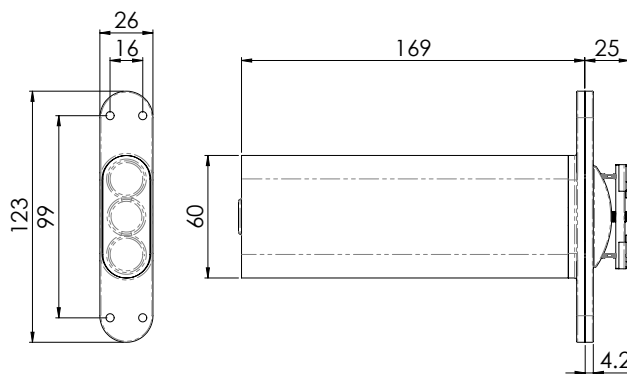
EN1154:1996 + A1:2002 + AC:2006					
2812 - CPR - AD5037					
3	8	3	1	1	3

CDC85/R
Adjustable Jamb Mounted Door Closer



Suitable for left and right hand application

Suitable for doors up to 80kg and/or 940mm wide



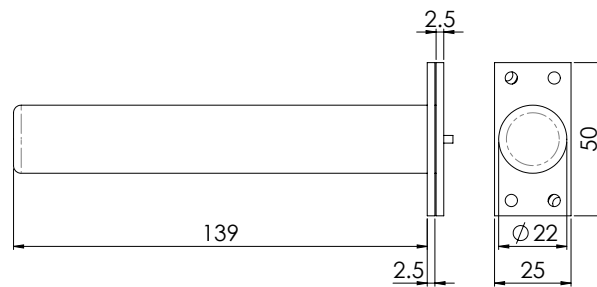
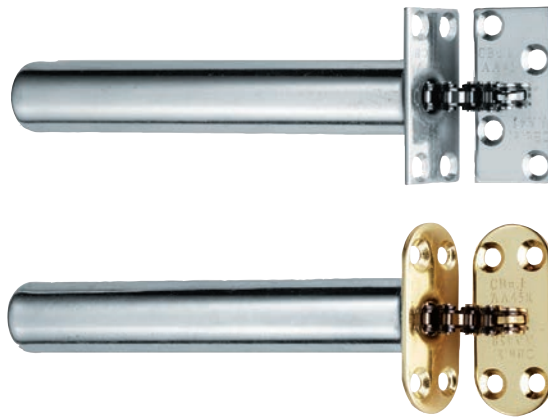
AA45
Concealed Chain Spring Door Closer



AA45R
Radius

Suitable for left and right hand application

0.8mm FS318 intumescent sheet wrapped around the body and behind each strike plate



LSE5325SN



Locks and Latches

Locks and Latches

Large selection of architectural deadlocks, sashlocks, din locks and bathroom locks <

Extensive range of flat, tubular and upright latches <

Made to meet the highest manufacturing standards, delivering reliable durable products <

Easi-T British Standard Locks

5 lever locks and cylinder locks that will satisfy the security requirement for domestic insurance policies <

Secured by Design approved to ensure the highest quality of successful security testing <

Suitable for use on 30 and 60 minute fire doors and fully certfire accredited <

25 year mechanical guarantee and is suitable for all projects which need BS EN 3621 and BS EN 8621 requirements <

CE certified and suitable for all industrial and commercial projects <

Easi-T Architectural and Contract Din Locks

Certified to BS EN 12209 standards <

Modular in design, both ranges allow for simple and efficient installation <

Suitable for use on fire doors from 30 minutes up to 4 hours and fully certfire accredited <

10 year mechanical guarantee on architectural <

5 year mechanical guarantee on contract <

CE certified and suitable for all industrial and commercial projects <

Easi-T Architectural UK Locks

Heavy duty architectural range of UK size mortice locks <

Fully certfire accredited, guaranteeing successful fire and performance testing <

Suitable for use on 30 and 60 minute fire doors and carries a 10 year mechanical guarantee <

Easi-T Universal Replacement Locks

Medium duty range of UK size mortice locks to allow replacement of most standard UK size locks <

Fully certfire accredited and suitable for use on 30 and 60 minute fire doors, carrying a 10 year mechanical guarantee <

Easi-T Residential Locks

Fully certfire accredited, guaranteeing successful fire and performance testing <

Suitable for use on 30 and 60 minute fire doors and carries a 10 year mechanical guarantee <

Latches

Light, medium and heavy duty mortice latches and heavy duty deadbolts <

including heavy duty latches up to 5 inches, suitable for our Carlisle Brass door knobs <

Fire door rated and performance tested products, carrying a 5 or 10 year mechanical guarantee <

BS EN 12209:2003 is the European standard covering mechanically operated locks, latches and locking plates. This standard covers requirements and test methods for all types of mechanical lock or latch including associated or separately supplied locking plates.

Digit 6 - Corrosion Resistance

Corrosion Resistance (NSS)	Temperature Resistance	
	No Requirement	-20deg C to +80deg C
No Requirement	Grade 0	-
24 Hours	Grade A	-
48 Hours	Grade B	Grade E
96 Hours	Grade C	Grade F

Digit 7 - Security and Drill Resistance

Security Level	No Drilling Requirement	Drilling Requirement
Minimum	Grade 1	-
Low	Grade 2	-
Medium	Grade 3	-
High	Grade 4	Grade 5
Very High	Grade 6	Grade 7

Digit 4 - Suitability for use on Fire Doors

Grade 0: Not approved for use on fire/smoke resisting door assemblies.
Grade 1: Suitable for use on fire/smoke resisting door assemblies

Digit 3 - Door Mass and Closing Force

Maximum Closing Force	Door Mass		
	Up to 100 kg	Up to 200 kg	Above 200 kg
15 N	Grade 7	Grade 8	Grade 9
25 N	Grade 4	Grade 5	Grade 6

Digit 9 - Type of Key and Locking

Grade 0: Not applicable
Grade A: Cylinder lock or latch; manually locking
Grade B: Cylinder lock or latch; automatically locking
Grade C: Cylinder lock or latch; manually locking with intermediate locking
Grade D: Lever lock or latch; manually locking
Grade E: Lever lock or latch; automatically locking
Grade F: Lever lock or latch; manually locking with intermediate locking
Grade G: Lock or latch without key operation; manually locking

2 H 8 1 0 F 7 B A 2 0

Digit 5 - Safety
No Requirement

Digit 8 - Field of Door Application
15 Grades are Identified:
A to R

Digit 10 - Type of Spindle Operation
Grade 0: Lock without follower
Grade 1: Lock with sprung lever or knob
Grade 2: Lock with light unsprung lever
Grade 3: Lock with heavy unsprung lever
Grade 4: Lock with manufacturer's own

Digit 1 - Category of Use

Grade 1: Low frequency of use, e.g. residential doors
Grade 2: Medium frequency of use, e.g. office doors
Grade 3: High frequency of use, e.g. doors in public

Digit 2 - Durability

Number of cycles	Side Load None	Side Load 10 N	Side Load 25 N	Side Load 50 N	Side Load 120 N
50,000	Grade A	Grade F	-	-	-
100,000	Grade B	Grade G	Grade L	Grade R	Grade W
200,000	Grade C	Grade H	Grade M	Grade S	Grade X

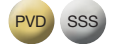
Digit 11 - Key Identification

Minimum Number Detainers	Limited Differs	Extended Number Effective Differs
No Requirement	0	-
Three	A	-
Five	B	C
Six	D	E
Seven	F	G
Eight	-	H

Note: This applies only to lever locks: cylinders are assessed to BS EN 1303:2015



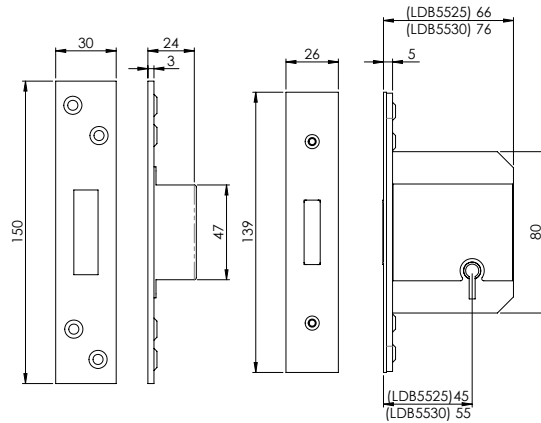
LDB5525
LDB5530
5 Lever BS Deadlock



ARB5205
13mm Rebate Kit
ES1273
Intumescent Lock Pack

FSF5012
Forend and Strike Pack

FSF5012/R
Radius



EN 12209:2003										
2812 - CPR - AG0130										
2	H	8	1	0	F	7	K	D	0	B



LSB5525
LSB5530
5 Lever BS Sashlock



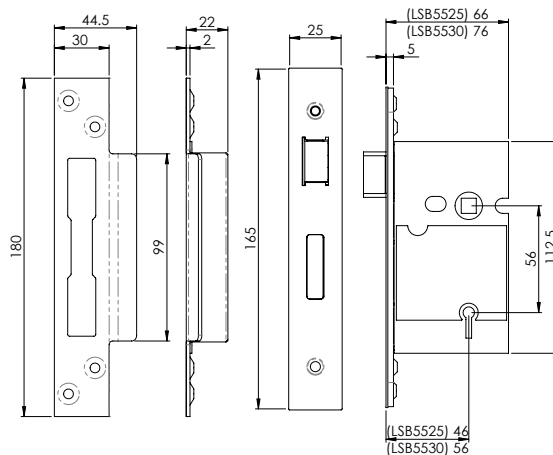
ARB5105
13mm Rebate Kit
ARB5110
25mm Rebate Kit



ES1271
Intumescent Lock Pack

FSF5013
Forend and Strike Pack

FSF5013/R
Radius



EN 12209:2003										
2812 - CPR - AG0129										
2	H	8	1	0	F	7	K	D	2	B



EDB5025
EDB5030
Euro Profile BS Cylinder Deadlock - Complete Set

SSS

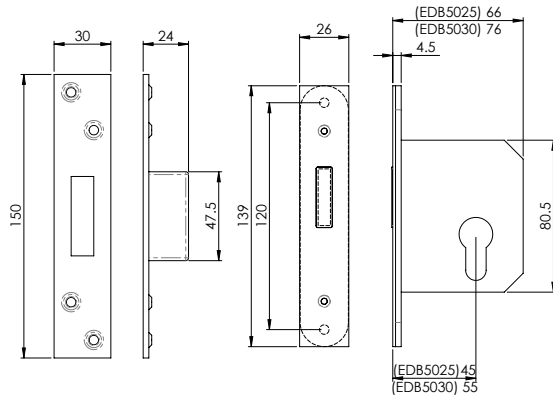
ARB5405
13mm Rebate Kit
ES1273
Intumescent Lock Pack

FSF5029
Forend and
Strike Pack

BSS

FSF5029/R
Radius

PVD SSS



EN 12209:2003										
2812 - CPR - AG0130										
2	H	8	1	0	F	7	B	A	0	0



ESB5025
ESB5030
Euro Profile BS Cylinder Sashlock - Complete Set

SSS

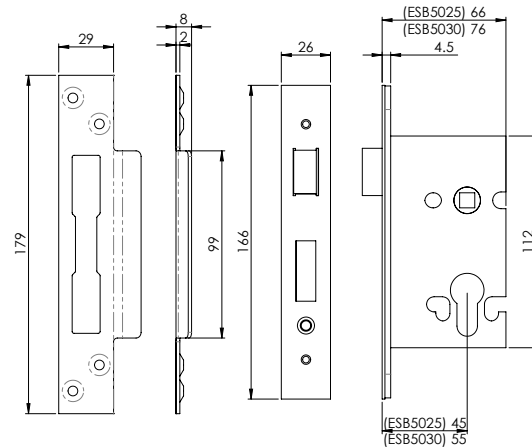
ARB5305
13mm Rebate Kit
ES1271
Intumescent Lock Pack

FSF5030
Forend and
Strike Pack

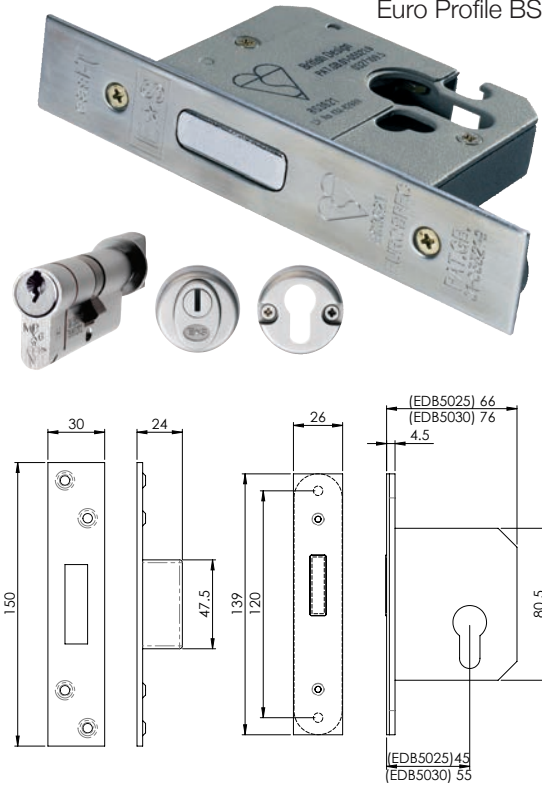
BSS

FSF5030/R
Radius

PVD SSS



EN 12209:2003										
2812 - CPR - AG0129										
2	H	8	1	0	F	7	B	A	2	0



EDB5025/CT
Euro Profile BS Cylinder & Turn Deadlock - Complete Set

SSS

EDB5030/CT

BSS PVD SSS

ARB5405
13mm Rebate Kit

ES1273
Intumescent Lock Pack

FSF5019

Forend and Strike Pack

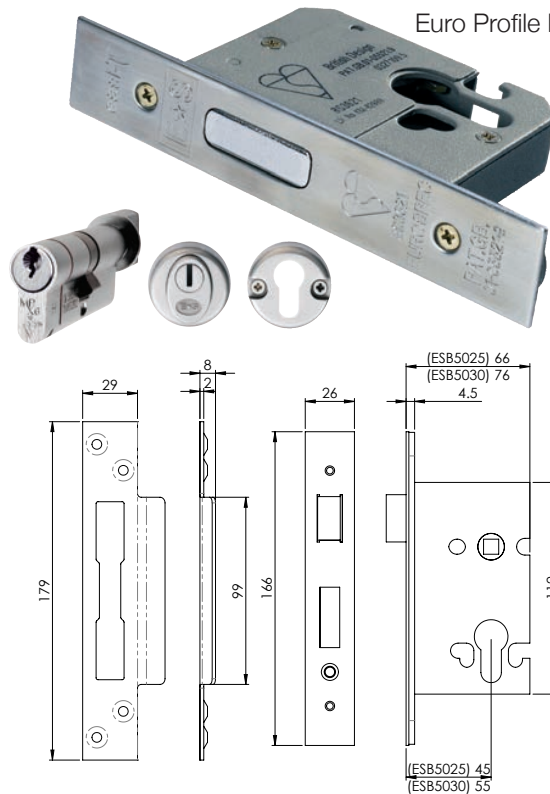
FSF5019/R

Radius

BSS PVD SSS



EN 12209:2003										
2812 - CPR - AG0130										
2	H	8	1	0	F	7	B	A	0	0



ESB5025/CT
ESB5030/CT
Euro Profile BS Cylinder & Turn Sashlock - Complete Set

SSS

ARB5305
13mm Rebate Kit

ES1271
Intumescent Lock Pack

FSF5020

Forend and Strike Pack

FSF5020/R

Radius

BSS PVD SSS



EN 12209:2003										
2812 - CPR - AG0129										
2	H	8	1	0	F	7	B	A	2	0



DLS0060EPSSS
Din Euro Profile Deadlock

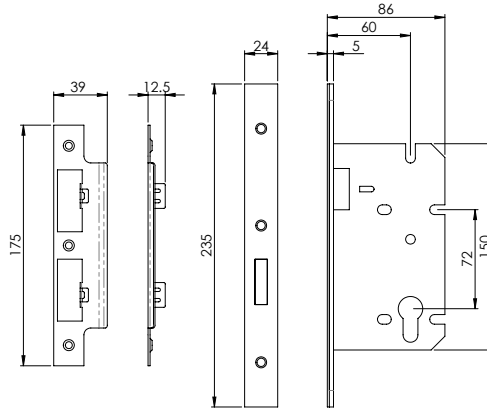


DLS0060EPSSS/R
Radius

- ARDS5005**
13mm Rebate Kit
- ASS5100**
100mm Split Spindle
with Lock Back Feature
- ALP5038**
1/2 Set Fixing Plate
- ES1274**
Intumescent Lock Pack

FSF5015
Forend and
Strike Pack

FSF5015/R
Radius



EN 12209:2003										
2812 - CPR - AG0130										
3	M	8	1	0	F	3	B	A	0	0



DLS0060LSSS
Din Latch

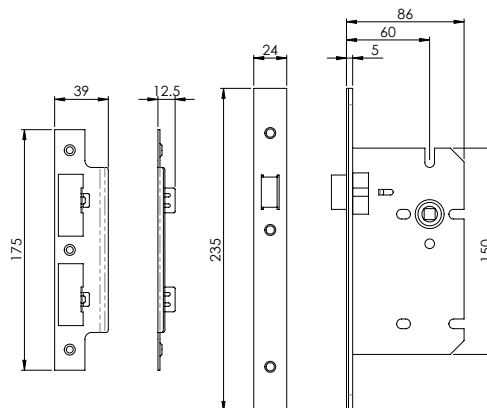


DLS0060LSSS/R
Radius

- ARDS5005**
13mm Rebate Kit
- ASS5100**
100mm Split Spindle
with Lock Back Feature
- ALP5038**
1/2 Set Fixing Plate
- ES1274**
Intumescent Lock Pack

FSF5016
Forend and
Strike Pack

FSF5016/R
Radius



EN 12209:2003										
2812 - CPR - AG0133										
3	M	8	1	0	F	-	B	0	2	0

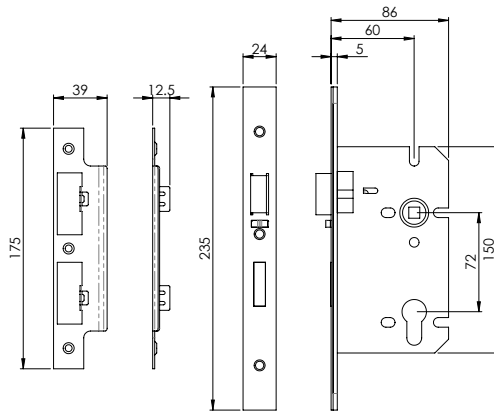
DLS7260EPSSS
Din Euro Profile Sashlock



SSS

DLS7260EPSSS/R
Radius

- ARDS5005**
13mm Rebate Kit
- ASS5100**
100mm Split Spindle
with Lock Back Feature
- ALP5038**
1/2 Set Fixing Plate
- ES1274**
Intumescent Lock Pack



FSF5017
Forend and
Strike Pack

FSF5017/R
Radius

- AB
- BSS
- MB
- MBRZ
- SB
- SSS

APPROVED PRODUCT
CF611



EN 12209:2003										
2812 - CPR - AG0133										
3	M	8	1	0	F	3	B	A	2	0

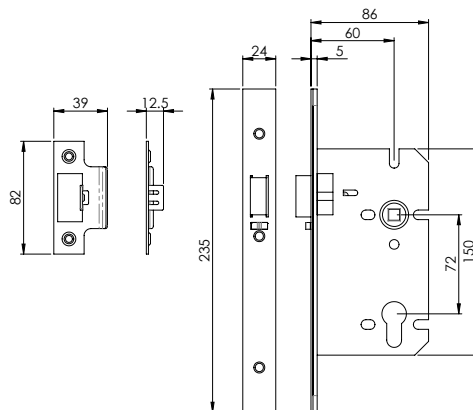
DLS7260NLASSS
Din Euro Profile Nightlatch - Anti Thrust Snib



SSS

DLS7260NLASSS/R
Radius

- ARDS5005**
13mm Rebate Kit
- ASS5100**
100mm Split Spindle
with Lock Back Feature
- ALP5038**
1/2 Set Fixing Plate
- ES1274**
Intumescent Lock Pack



FSF5031
Forend and
Strike Pack

- BSS
- PVD

FSF5031/R
Radius

- BSS
- PVD
- SSS

APPROVED PRODUCT
CF611



EN 12209:2003										
2812 - CPR - AG0133										
3	M	8	1	0	F	1	B	0	2	0



DLS7860WCSSS
Din Bathroom Lock

SSS

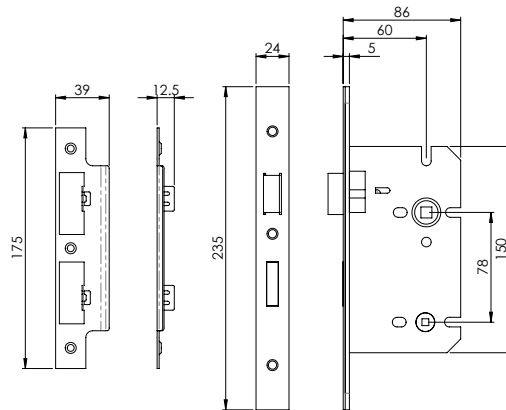
DLS7860WCSSS/R
Radius
DLS7860WC/8/SSS
8mm Follower

ARDS5005
13mm Rebate Kit
ASS5100
100mm Split Spindle
with Lock Back Feature
ALP5038
1/2 Set Fixing Plate
ES1274
Intumescent Lock Pack

FSF5017
Forend and
Strike Pack

FSF5017/R
Radius

AB BSS MB MBRZ SB SSS



APPROVED PRODUCT
CF611



EN 12209:2003										
2812 - CPR - AG0133										
3	M	8	1	0	F	-	B	G	2	0

DLS7260ESCSSS
Din Euro Profile Escape Lock

SSS

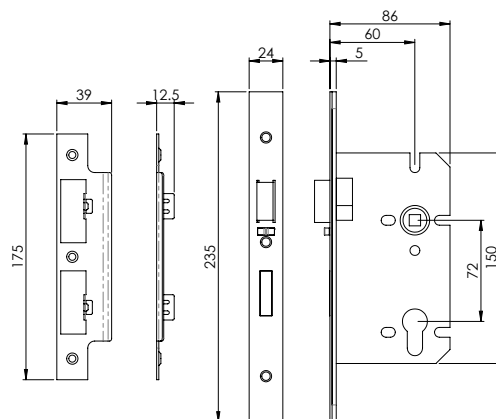
DLS7260ESCSSS/R
Radius

ARDS5005
13mm Rebate Kit
ASS5100
100mm Split Spindle
with Lock Back Feature
ALP5038
1/2 Set Fixing Plate
ES1274
Intumescent Lock Pack

FSF5032
Forend and
Strike Pack

BSS PVD SSS

FSF5032/R
Radius



APPROVED PRODUCT
CF719



EN 179:2008										
2812 - CPR - ABB027										
3	7	6	B	1	4	4	2	A	B/D	
EN 12209:2003 Tested Classification										
3	M	8	1	0	F	3	B	A	2	0

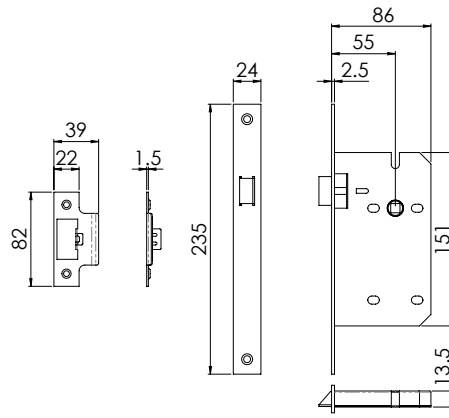


DLE0055L
Din Latch

DLE0055LSSS/R
Radius



ES1274
Intumescent Lock Pack



APPROVED PRODUCT
CF611



EN 12209:2003										
2812 - CPR - AG0133										
3	M	8	1	0	F	-	B	0	2	0

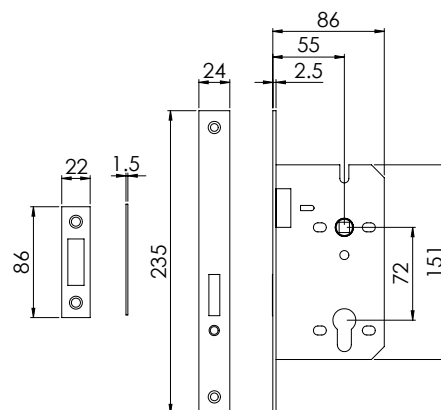


DLE0055EP
Din Euro Profile Deadlock

DLE0055EPSSS/R
Radius



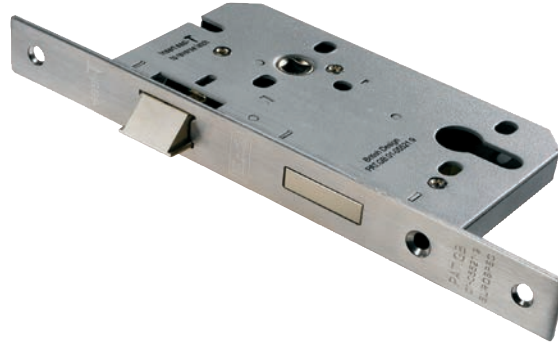
ES1274
Intumescent Lock Pack



APPROVED PRODUCT
CF611



EN 12209:2003										
2812 - CPR - AG0130										
3	M	8	1	0	F	3	B	C	0	0

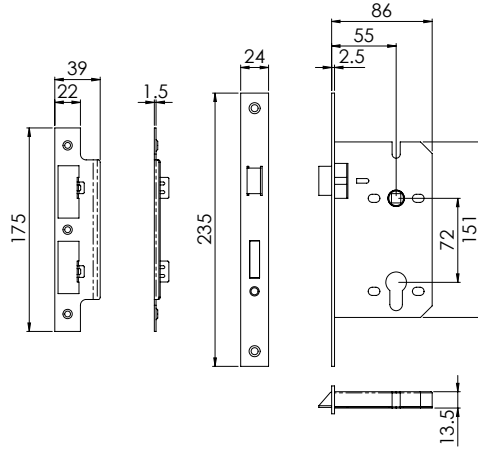


DLE7255EP
Din Euro Profile Sashlock

DLE7255EPSSS/R
Radius

SSS

ES1274
Intumescent Lock Pack



APPROVED PRODUCT
CF611



EN 12209:2003										
2812 - CPR - AG0133										
3	M	8	1	0	F	3	B	C	2	0

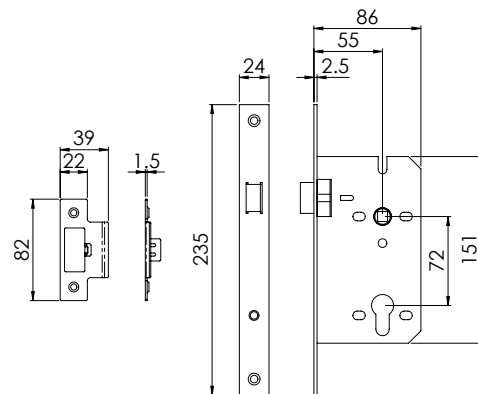


DLE7255NL
Din Euro Profile Nightlatch

DLE7255NLSSS/R
Radius

SSS

ES1274
Intumescent Lock Pack



APPROVED PRODUCT
CF611



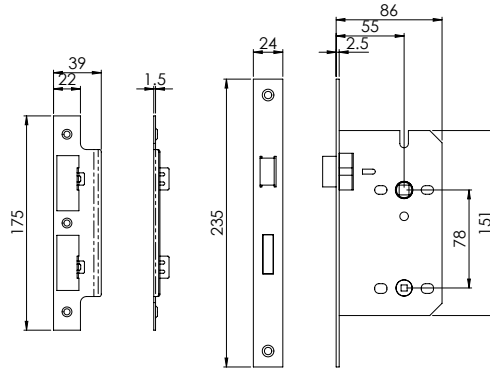
EN 12209:2003										
2812 - CPR - AG0133										
3	M	8	1	0	F	-	B	0	2	0

DLE7855WC
Din Bathroom Lock - 5mm Follower

DLE7855WCSSS/R
Radius

SSS

ES1274
Intumescent Lock Pack



APPROVED PRODUCT
CF611



EN 12209:2003										
2812 - CPR - AG0133										
3	M	8	1	0	F	-	B	G	2	0





LDS5325
LDS5330
3 Lever Deadlock
LDS5525
LDS5530
5 Lever Deadlock

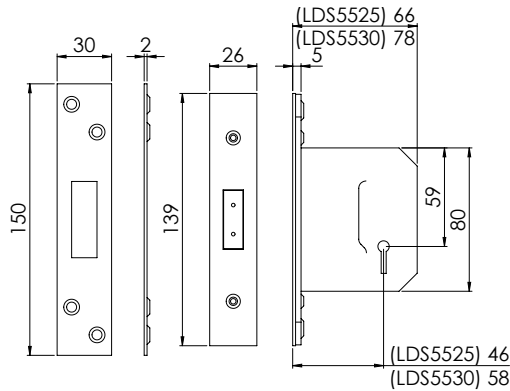
SSS

ARD205
13mm Rebate Kit
ES1273
Intumescent Lock Pack

FSF5007
Forend and
Strike Pack

FSF5007/R
Radius

AB BSS MB MBRZ SB SSS



EN 12209:2003											
2812 - CPR - AG0130											
3 LEVER	3	H	8	1	0	F	2	K	D	0	A
5 LEVER	3	H	8	1	0	F	2	K	D	0	B

APPROVED PRODUCT
CF611



LSS5325
LSS5330
3 Lever Sashlock
LSS5525
LSS5530
5 Lever Sashlock

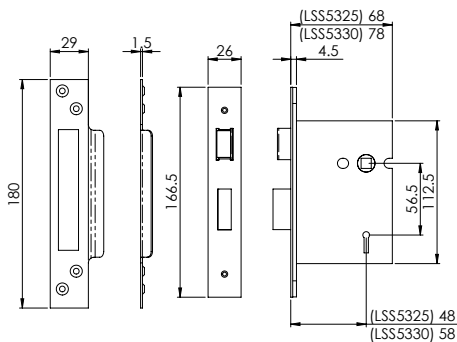
PVD SSS

ARS105
13mm Rebate Kit
ES1271
Intumescent Lock Pack

FSF5004
Forend and
Strike Pack

FSF5004/R
Radius

AB BSS MB MBRZ SB SSS



EN 12209:2003											
2812 - CPR - AG0137											
3 LEVER	2	H	8	1	0	F	2	K	D	2	A
5 LEVER	2	H	8	1	0	F	2	K	D	2	B

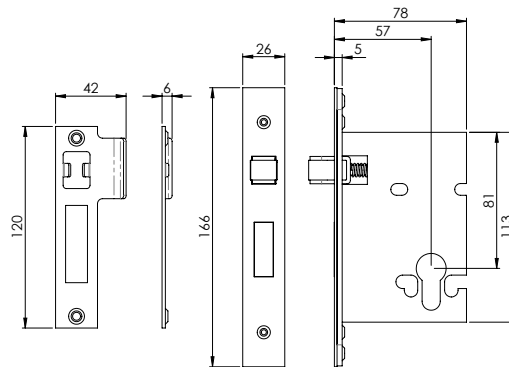
APPROVED PRODUCT
CF611



RSL5030
Roller Bolt Euro Profile Deadlock



ES1273
Intumescent Lock Pack

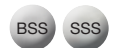


EN 12209:2003										
2812 - CPR - AG0130										
3	C	8	1	0	F	2	B	A	0	0

EDS5025
EDS5030
Euro Profile Deadlock



EDS5030/R
Radius

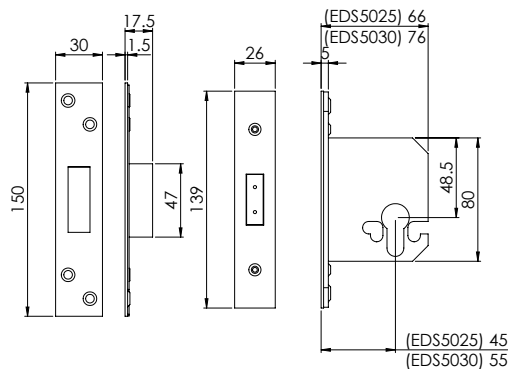


ARD5205
13mm Rebate Kit

ES1273
Intumescent Lock Pack

FSF5007
Forend and
Strike Pack

FSF5007/R
Radius



EN 12209:2003										
2812 - CPR - AG0130										
3	H	8	1	0	F	2	B	A	0	0



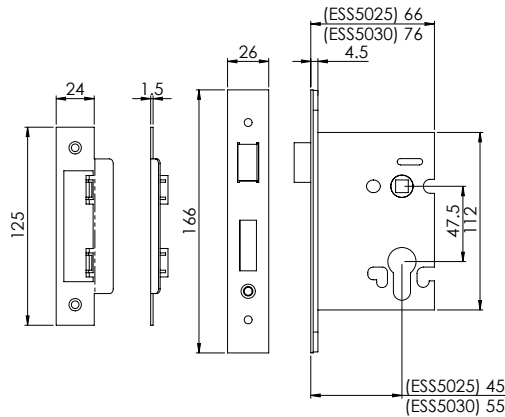
ESS5025
ESS5030
Euro Profile Sashlock



ARS5105
13mm Rebate Kit
ES1271
Intumescent Lock Pack

FSF5004
Forend and Strike Pack

FSF5004/R
Radius



EN 12209:2003										
2812 - CPR - AG0130										
2	H	8	1	0	F	2	B	A	2	0



BAS5025
BAS5030
Bathroom Lock - 5mm Follower



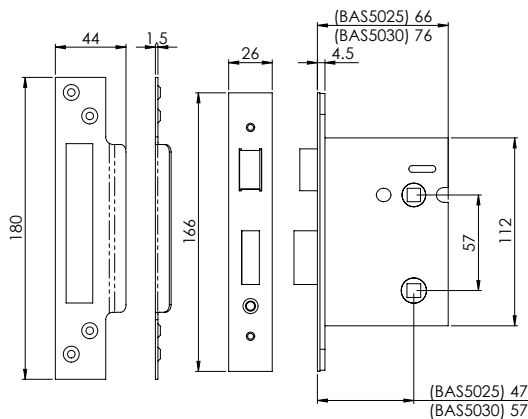
BAS5030SSS/R
Radius



ARS5105
13mm Rebate Kit
ARS5110
25mm Rebate Kit
ES1271
Intumescent Lock Pack

FSF5004
Forend and Strike Pack

FSF5004/R
Radius



EN 12209:2003										
2812 - CPR - AG0137										
2	H	8	1	0	F	-	B	G	2	0

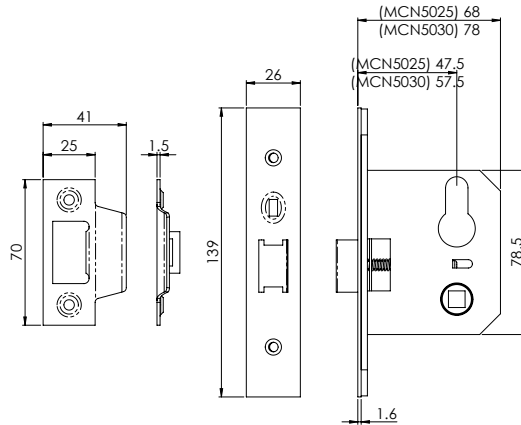


MCN5025
MCN5030
Euro Profile Cylinder Nightlatch - Case Only

SSS

ARM5105
13mm Rebate Kit

ES1272
Intumescent Lock Pack



LCP1000
Euro Security Cylinder
Pull with Mini Lever

PC PVD SC



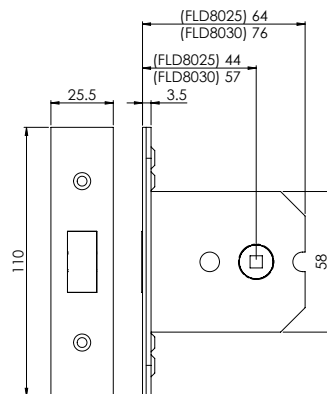
Available to buy separately



FLD8025
FLD8030
Flat Deadlock

SCP

ES1272
Intumescent Lock Pack



APPROVED PRODUCT
CF611



EN 12209:2003										
2812 - CPR - AG0130										
3	H	8	1	0	F	-	B	G	0	0



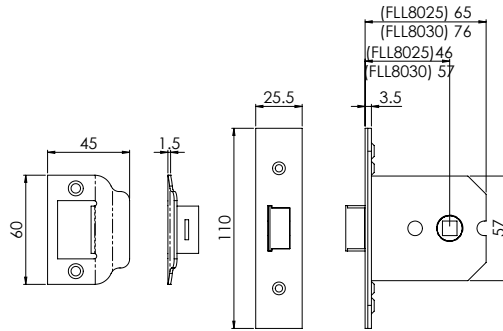
FLL8025
Flat Latch

FLL8030

FLL8030SCP/R
Radius



ARF8105
13mm Rebate Kit
ES1272
Intumescent Lock Pack



EN 12209:2003										
2812 - CPR - AG0156										
NPD	A	7	1	0	NPD	-	NPD	0	NPD	0



FLL5025
FLL5030
Flat Latch

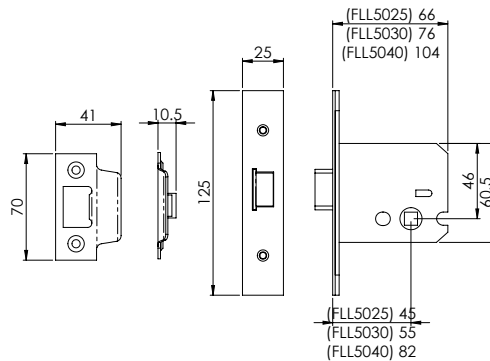
FLL5030/R
Radius



ES1272
Intumescent Lock Pack

FSF5008
Forend and Strike Pack

FSF5008/R
Radius



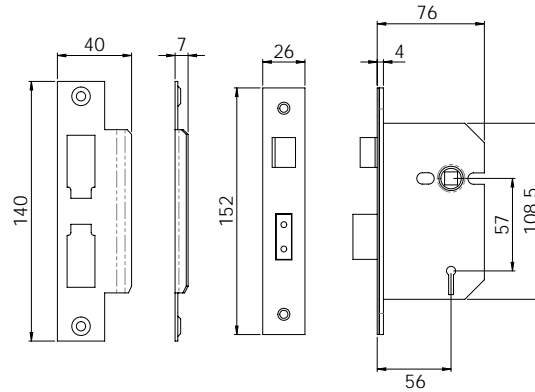
EN 12209:2003										
2812 - CPR - AG0137										
2	H	8	1	0	F	-	B	0	2	0



URLS5330
3 Lever Sashlock

SSS

ES1271
Intumescent Lock Pack



APPROVED PRODUCT
CF611



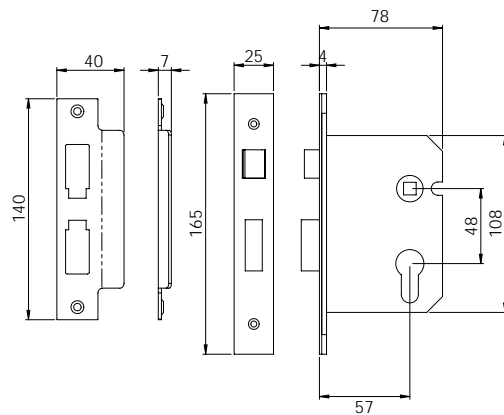
EN 12209:2003										
2812 - CPR - AG0137										
2	H	8	1	0	F	2	K	D	2	A



URES5030
Universal Replacement Euro Profile Sashlock

SSS

ES1271
Intumescent Lock Pack



APPROVED PRODUCT
CF611



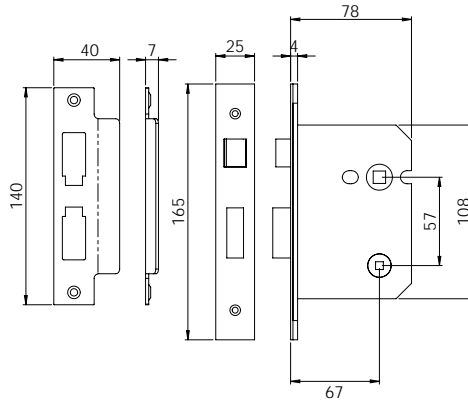
EN 12209:2003										
2812 - CPR - AG0137										
2	H	8	1	0	F	1	B	A	2	0



URBS5030
Universal Replacement Bathroom Sashlock

SSS

ES1271
Intumescent Lock Pack



APPROVED PRODUCT
CF611



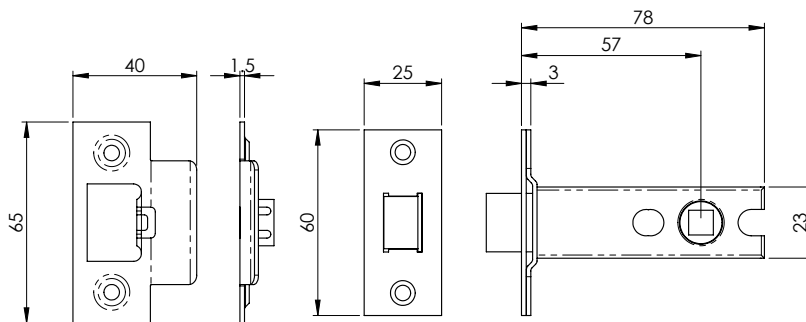
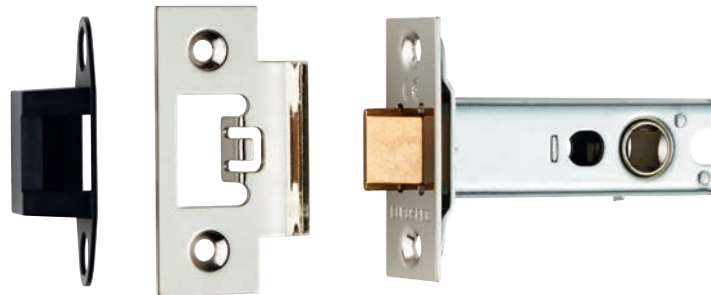
EN 12209:2003										
2812 - CPR - AG0137										
2	H	8	1	0	F	-	B	G	2	0

TLS8030
Heavy Sprung Tubular Latch
8mm Follower

NP SC

ART5105
13mm Rebate Kit

ES1283
Intumescent Lock Pack



APPROVED PRODUCT
CF611



EN 12209:2003										
2812 - CPR - AG0156										
NPD	A	7	1	0	NPD	-	B	0	NPD	0

TLS5025EB/SSS
Heavy Sprung Tubular Latch - 8mm Follower

TLS5030EB/SSS
TLS5040EB/SSS
TLS5050EB/SSS

EB SSS

TLS5030BSS/SSS

BSS SSS

TLS5030SSS

SSS

TLS5030SSS/R
Radius

SSS

TLS5030BSS/R
Radius

BSS



FSF5009AB
Antique Brass



FSF5009MB
Matt Black



FSF5009MBRZ
Matt Bronze



FSF5009BSS
Bright Stainless Steel
Recommended
match for PN



FSF5009SB
Satin Brass



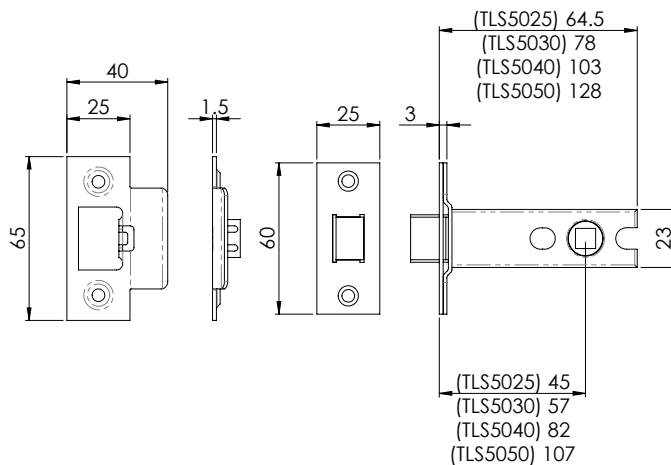
FSF5009SSS
Satin Stainless Steel
Recommended match
for SN

ART5105
13mm Rebate Kit
ES1283
Intumescent Lock Pack

FSF5009
Forend and
Strike Pack

FSF5009/R
Radius

AB BSS MB MBRZ SB SSS



EN 12209:2003										
2812 - CPR - AG0156										
NPD	A	7	1	0	NPD	-	B	0	NPD	0



TLD5025BSS
Tubular Deadbolt - 5mm Follower

BSS

TLD5025EB/SSS

EB SSS

TLD5025SSS

SSS

TLD5030EB/SSS
TLD5040EB/SSS
TLD5050EB/SSS

EB SSS

TLD5830EB/SSS
TLD5840EB/SSS
TLD5850EB/SSS
8mm Follower

EB SSS



FSF5010AB
Antique Brass



FSF5010MB
Matt Black



FSF5010MBRZ
Matt Bronze



FSF5010BSS
Bright Stainless Steel
Recommended
match for PN



FSF5010SB
Satin Brass



FSF5010SSS
Satin Stainless Steel
Recommended
match for SN



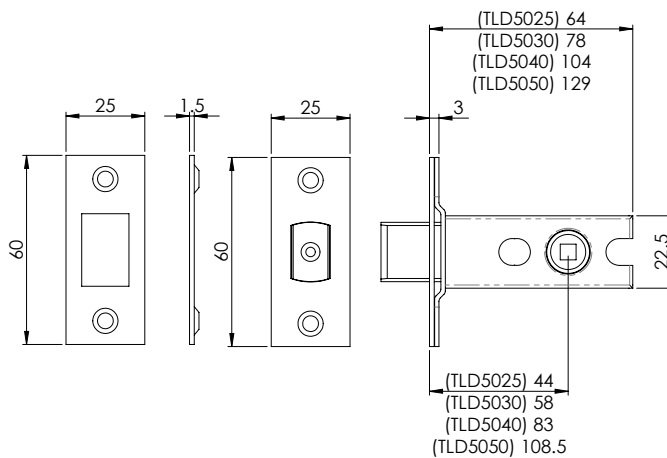
SBD5010SCP
Deadlock Budget Key & Escutcheon

ES1283
Intumescent Lock Pack

FSF5010
Forend and
Strike Pack

FSF5010/R
Radius

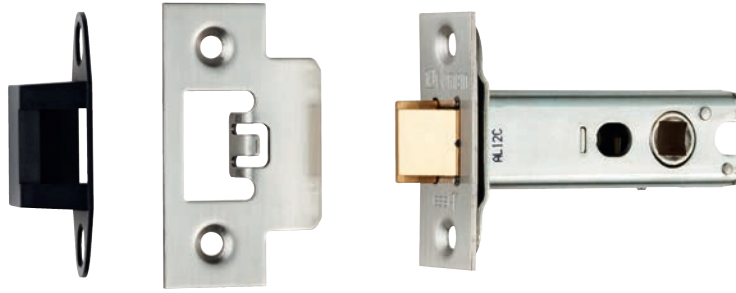
AB BSS MB MBRZ SB SSS



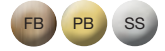
APPROVED PRODUCT
CF611



EN 12209:2003										
2812 - CPR - AG0130										
3	H	8	1	0	F	-	B	G	0	0

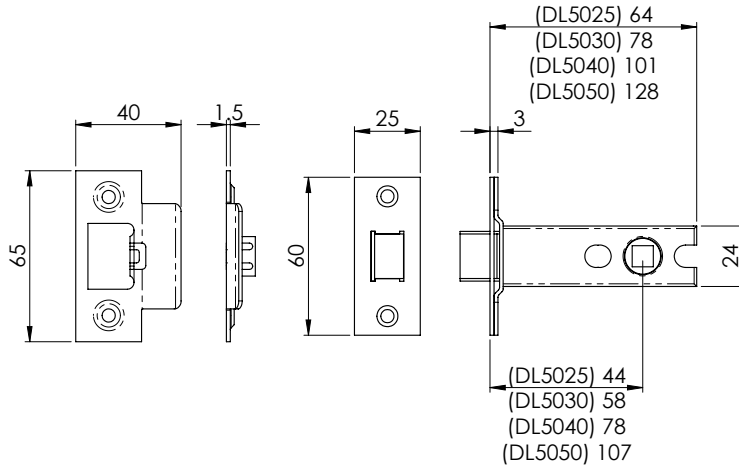


***DL5025**
DL5030
DL5040
DL5050
 Heavy Sprung Tubular Latch
 8mm Follower



*DL5025 does not have a bolt through facility

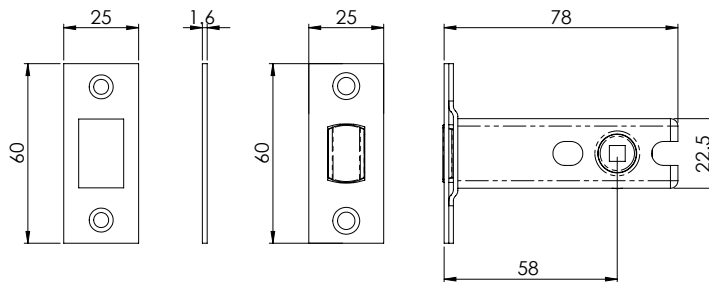
ART5105
 13mm Rebate Kit
ES1283
 Intumescent Lock Pack

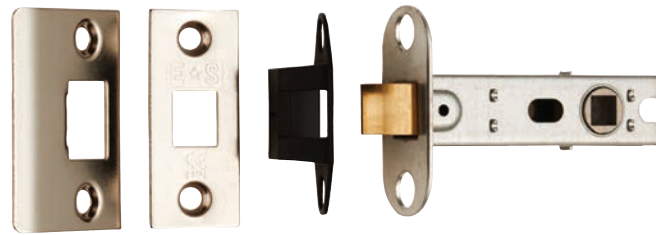


DLD5030
 Tubular Dead Bolt



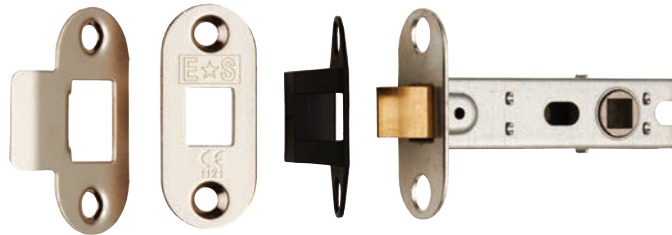
ES1283
 Intumescent Lock Pack





BTL1/SQ
BTL3/SQ
Square Bolt Through
Tubular Latch
BTL1/R
BTL3/R
Radius Bolt Through
Tubular Latch

EB



BTL2/SQ
BTL4/SQ
Square Bolt Through
Tubular Latch
BTL2/R
BTL4/R
Radius Bolt Through
Tubular Latch

NP

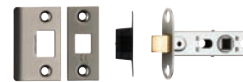
BTL25
Tubular Latch
BTL30
Tubular Latch



BTL25AB
Antique Brass



BTL25MB
Matt Black



BTL25MBRZ
Matt Bronze



BTL25NP
Polished Nickel

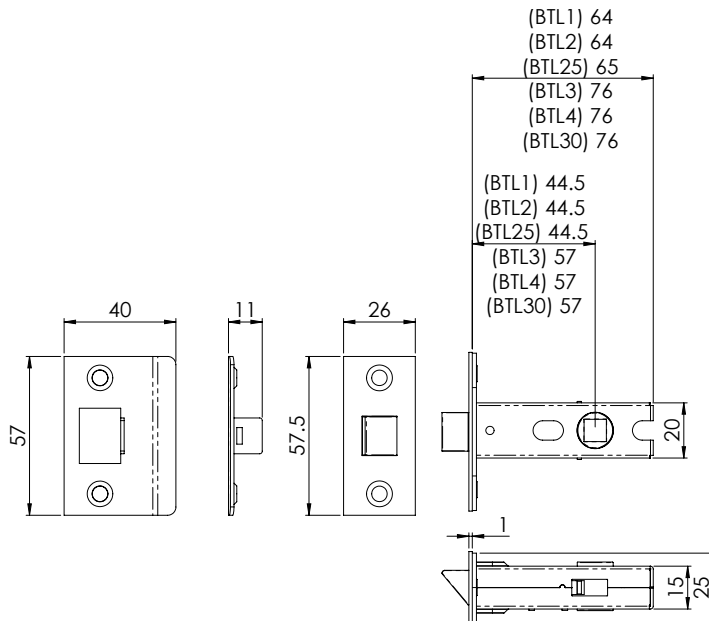


BTL25SB
Satin Brass



BTL25SN
Satin Nickel

TL9A
13m Rebate Kit
ES1283
Intumescent Set



EN 12209:2003										
2812 - CPR - AG5174										
NPD	A	7	1	0	NPD	-	NPD	0	NPD	0



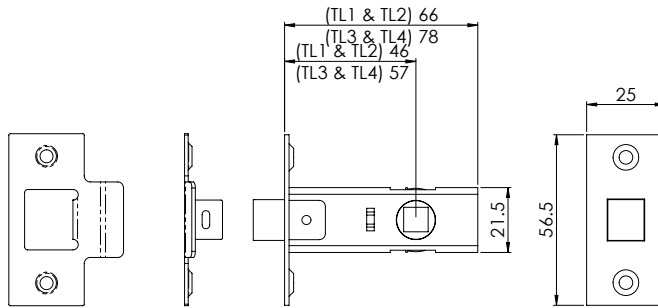
TL1
TL3
Tubular Latch



TL2
TL4



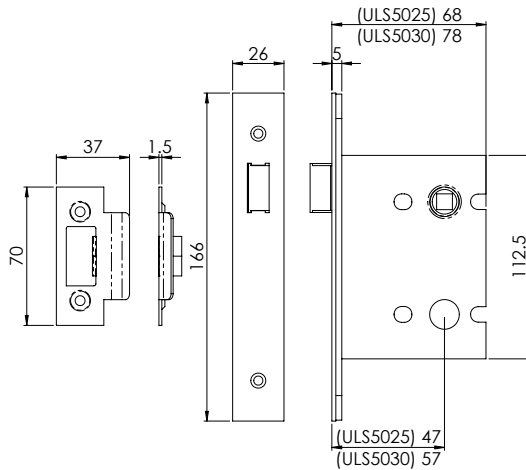
TL7A
13m Rebate Kit
ES1283
Intumescent Set



ULS5025
ULS5030
Upright Latch



ARS5105
Rebate Kit
ES1271
Intumescent Lock Pack

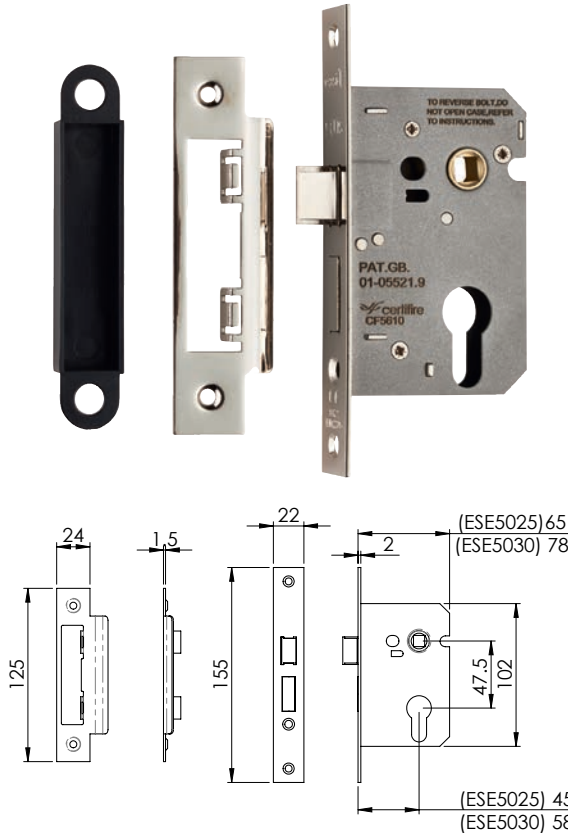


EN 12209:2003										
2812 - CPR - AG0137										
2	H	8	1	0	F	-	B	0	2	0

ESE5025
ESE5030
Euro Profile Sashlock



ARE5005
13mm Rebate Kit
ES1276
Intumescent Lock Pack

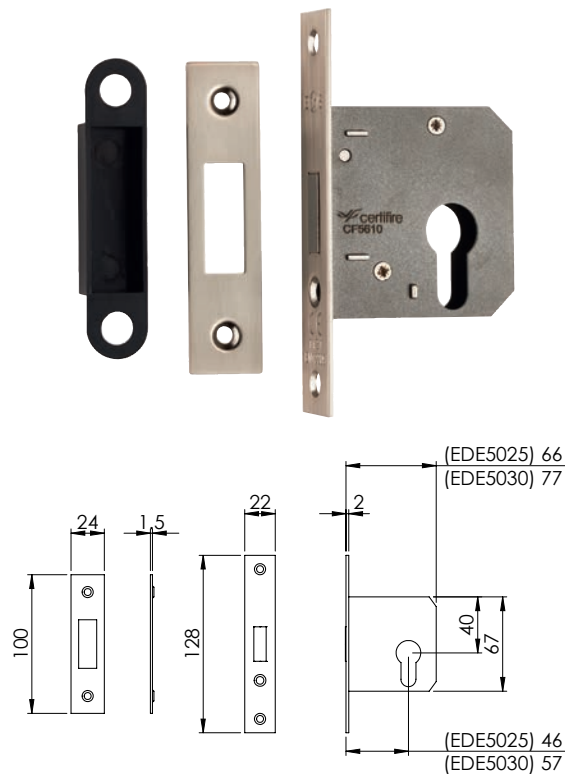


APPROVED PRODUCT
CF5610



EN 12209:2003										
2812 - CPR - AG5162										
2	H	8	1	0	F	1	B	A	2	0

EDE5025
EDE5030
Euro Profile Deadlock



APPROVED PRODUCT
CF5610



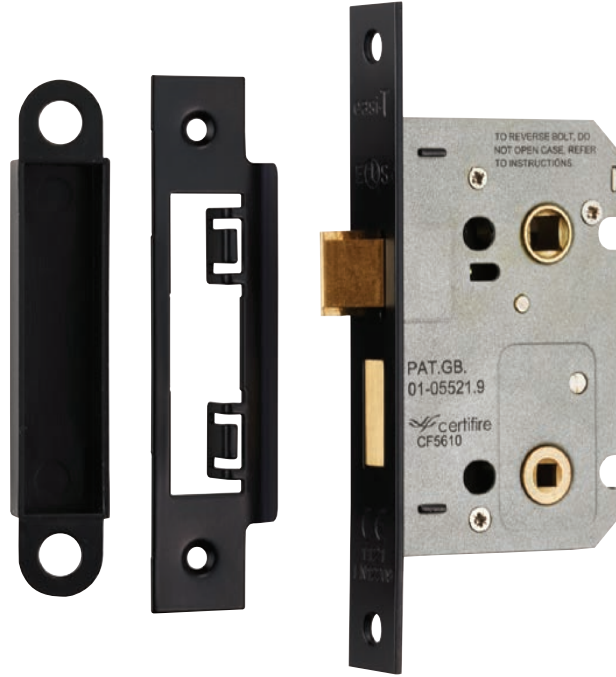
EN 12209:2003										
2812 - CPR - AG5161										
2	H	8	1	0	F	1	B	A	0	0

BAE5025
BAE5030
Bathroom Lock



BAE5025/R
BAE5030/R
Radius

ARE5005
13mm Rebate Kit
ES1276
Intumescent Lock Pack



BAE5025AB
Antique Brass



BAE5025MB
Matt Black



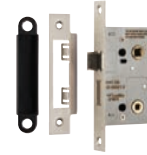
BAE5025MBRZ
Matt Bronze



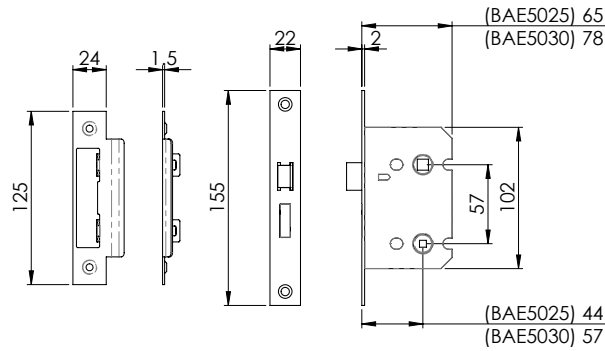
BAE5025NP
Polished Nickel



BAE5025SB
Satin Brass



BAE5025SN
Satin Nickel



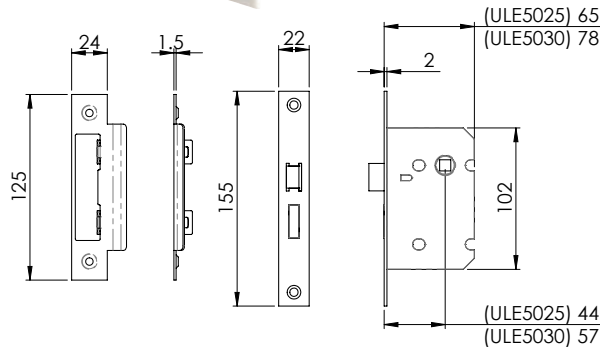
EN 12209:2003										
2812 - CPR - AG5162										
2	H	8	1	0	F	-	B	G	2	0

ULE5025
ULE5030
Upright Latch



ULE5025/R
ULE5030/R
Radius

ARE5005
13mm Rebate Kit
ES1276
Intumescent Lock Pack



APPROVED PRODUCT
CF5610

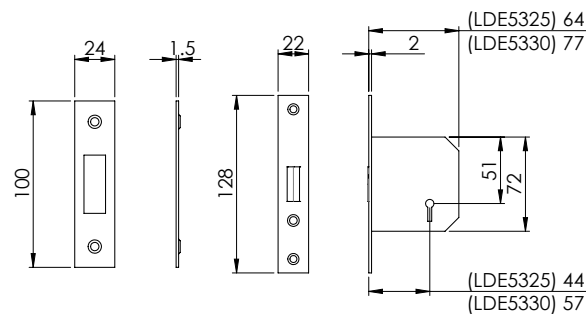
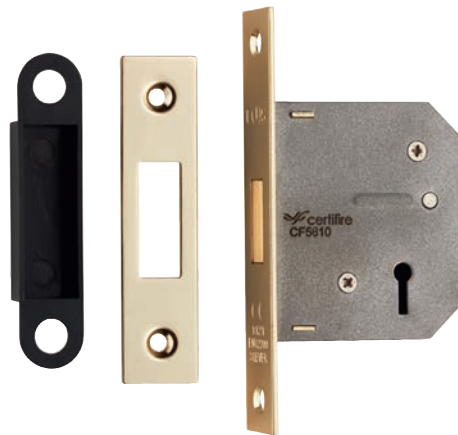


EN 12209:2003										
2812 - CPR - AG5162										
2	H	8	1	0	F	-	B	0	2	0

LDE5325
LDE5330
3 Lever Deadlock



ES1273
Intumescent Lock Pack



APPROVED PRODUCT
CF5610



EN 12209:2003										
2812 - CPR - AG5161										
2	H	8	1	0	F	1	K	D	0	A



LSE5325
LSE5330
3 Lever Sashlock



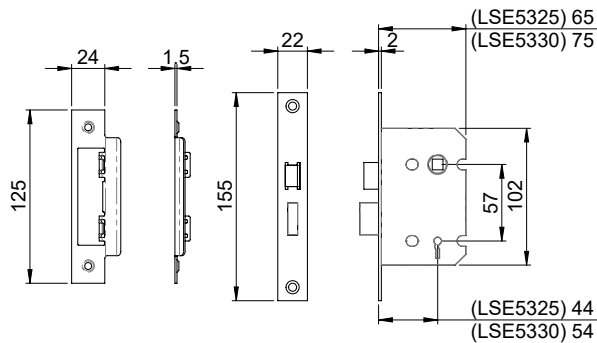
LSE5325/R
Radius



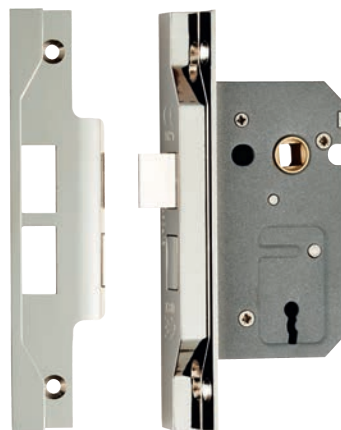
LSE5330/R



ARE5005
13mm Rebate Kit
ES1276
Intumescent Lock Pack



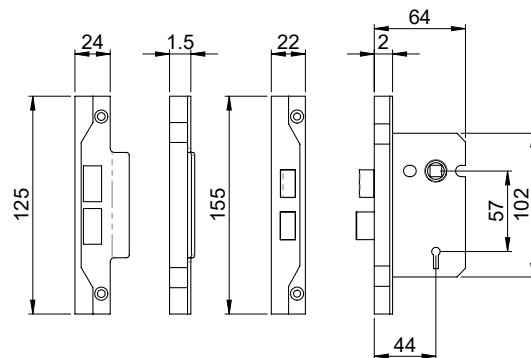
EN 12209:2003										
2812 - CPR - AG5162										
2	H	8	1	0	F	1	K	D	2	A



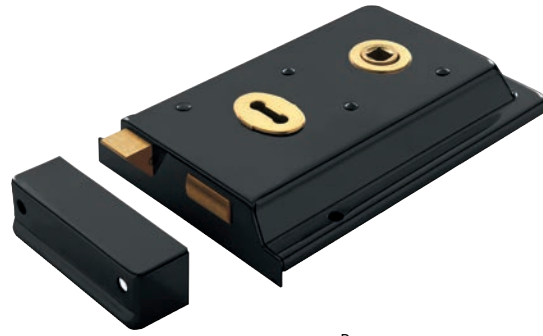
LSE5225/REB
2 Lever Sashlock Rebated



ES1271
Intumescent Lock Pack



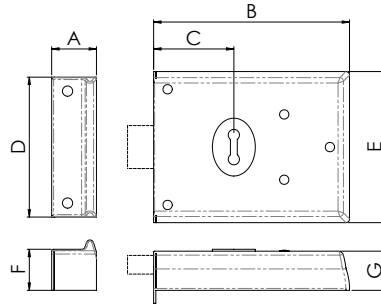
EN 12209:2003										
2812 - CPR - AG5162										
2	H	8	1	0	F	1	K	D	2	0



RSE8064
Rim Lock

JAP PB PC SC

RDE8043
Rim Deadlock
RLE8043
Rim Latch
RSE8053
Rim Lock



	A	B	C	D	E	F	G
RDE8043	24	155	44	76.5	82	22.5	21
RLE8043	24	101	75	76.5	82	22.5	21
RSE8053	24	145	44	76.5	82	22.5	21
RSE8064	24	155	44	76.5	105	22.5	21

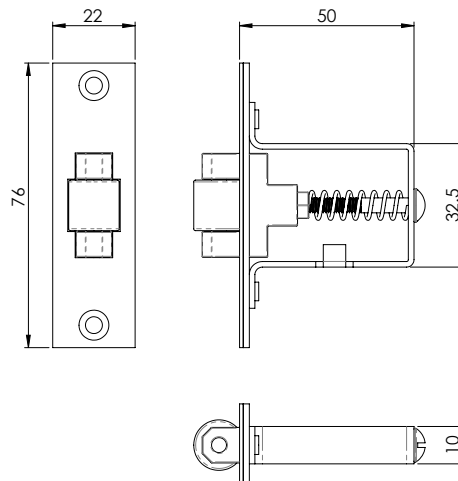
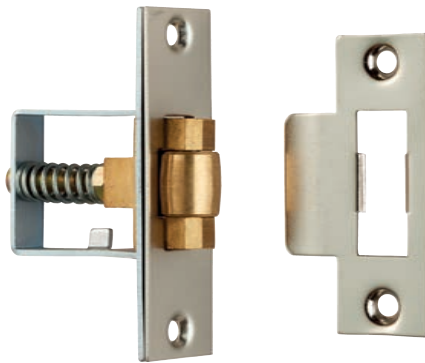
EN 12209:2003											
2812 - CPR - AG0130, AG0154 & AG0153											
RDE8043	1	C	8	1	0	F	NPD	M	D	0	0
RLE8043	NPD	C	8	1	0	F	-	E	0	NPD	0
RSE8053/64	1	A	8	1	0	F	NPD	M	D	NPD	0

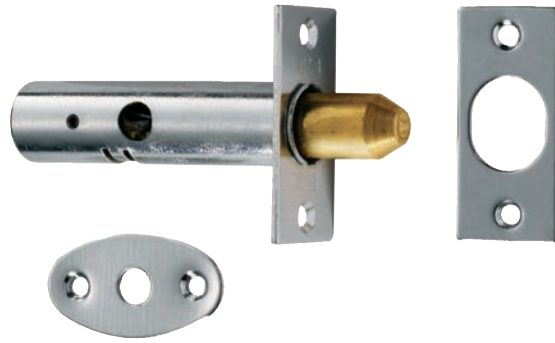
APPROVED PRODUCT
CF611



RCA5511
Heavy Duty Adjustable Roller Catch

SSS





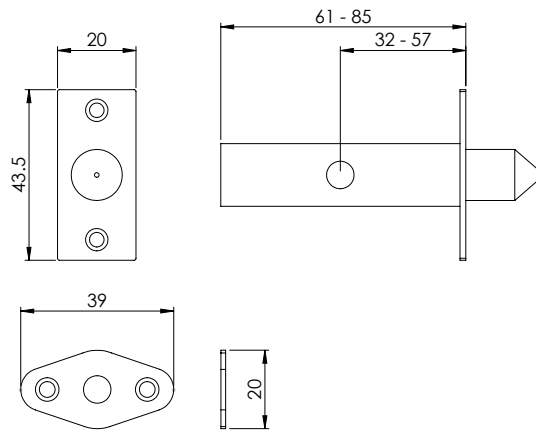
DSB8225
Door Security Bolt



DSB8225L
Long

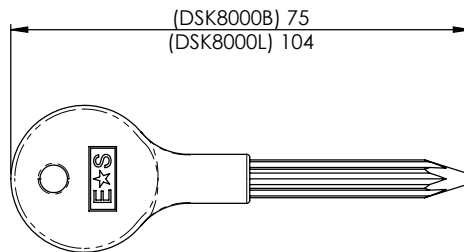


WSB8125
Window Security Bolt



DSK8000B
Door Security Bolt Key

DSK8000L
Longer Spline



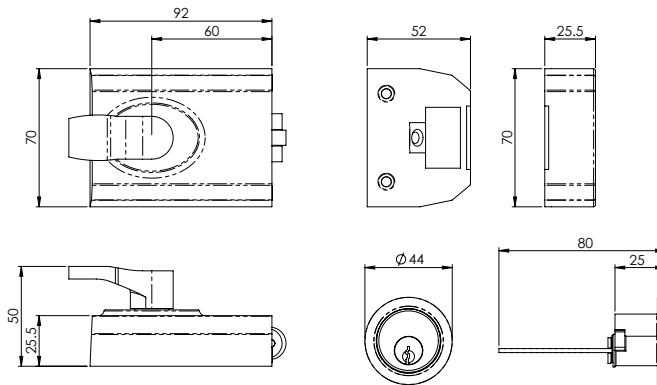
RCB8260
Rim Cylinder Rollerbolt



RCB8260L
Lockcase Only



Supplied with matching finish cylinder & 3 keys



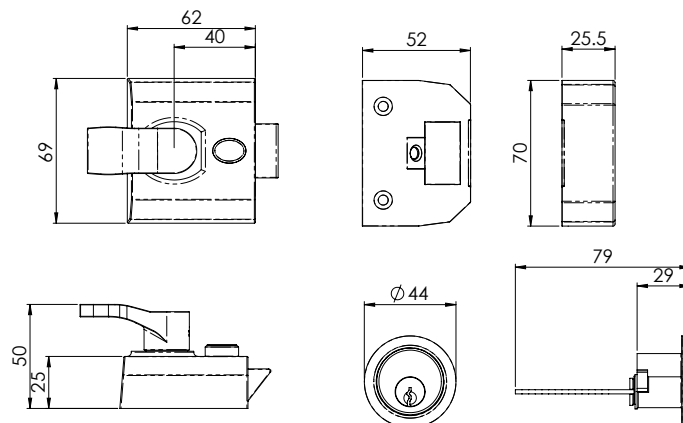
RCN8240
Rim Cylinder Nightlatch



RCN8240L
Lockcase Only



Supplied with matching finish cylinder & 3 keys



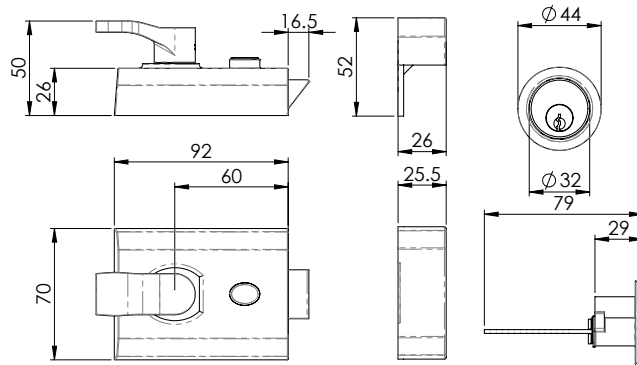
RCN8260
Rim Cylinder Nightlatch



RCN8260L
Lockcase Only



Supplied with matching finish cylinder & 3 keys

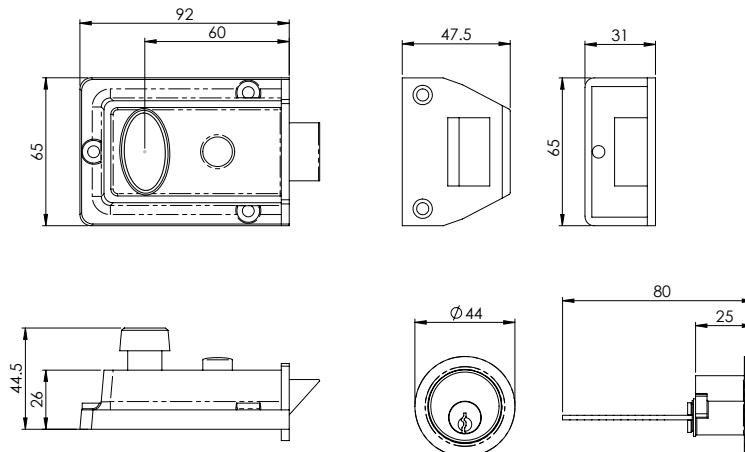


RCN8160
Rim Cylinder Nightlatch



Supplied with matching finish cylinder & 3 keys

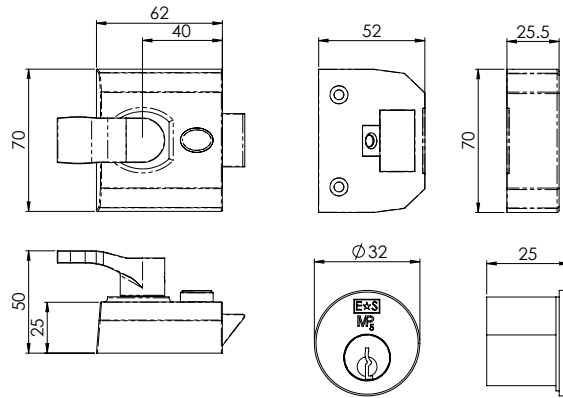
RCN8160GN/SC
Green with SC Finish Cylinder



RCN8340
Deadlocking Rim Cylinder Nightlatch



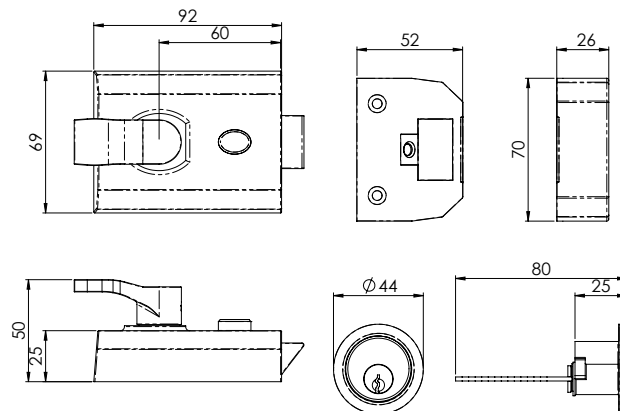
Supplied with matching finish cylinder & 3 keys



RCN8360
Deadlocking Rim Cylinder Nightlatch



Supplied with matching finish cylinder & 3 keys





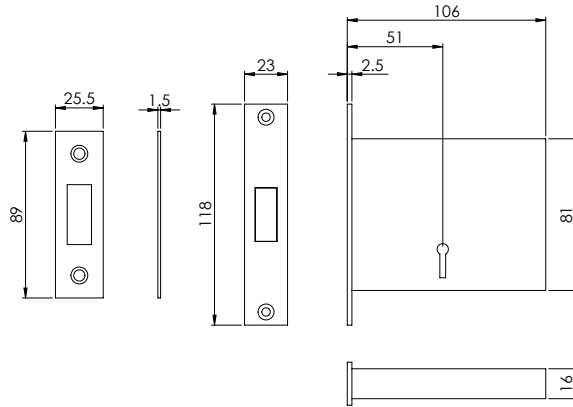
LFB2
Fire Brigade Lock



AKSFB2
Fire Brigade Lock Key

ES1275
Intumescent Lock Pack

A 1 lever deadlock commonly specified and used by the London and South East Fire Brigade services, whereby the FB2 key will fit these FB2 locks so that access can be gained without damage to the door. Generally used on service riser doors in blocks of flats and other similar utility cupboards and rooms. Can also be used around the home or office as general deadlocks which all require the same keys.



EN 12209:2003										
2812 - CPR - AG0130										
2	C	8	1	0	F	-	K	A	0	0

ESK008/SV
Combination Key Safe



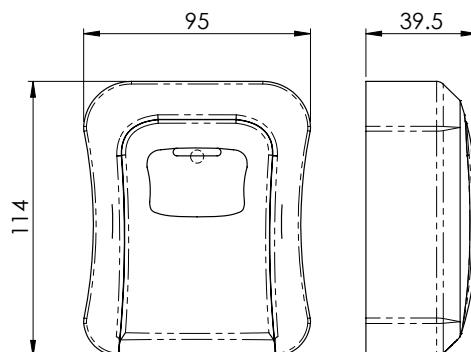
10,000 resettable combinations

Holds up to 5 keys

Protective lock cover

Weather resistant

Wall mountable





CL155SGVCB
Mechanical Digital Door Lock

SG

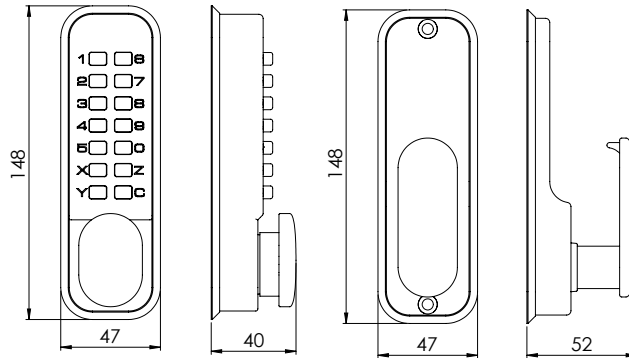
Over 8000 codes to choose from

Code can be changed in minutes

Easy to fit, no professional tools or help required

All fixings, instructions and templates supplied

Suitable for internal and external applications



- AEB5000** Easi-T set of security escutcheons to suit Euro BS lock
- AGS5000** Easi-T architectural face plate screw
- AKE5200** Key blank to suit Easi-T 2 lever contract locks
- AKE5300/L** Key blanks Easi-T 3 lever contract locks left handed
- AKE5300/R** Key blanks Easi-T 3 lever contract locks right handed
- AKS5000B** Brass key blank for architectural lever locks
- AKS5000B/RIM** Brass key blank 106mm
- AKU5000S** Steel key blank to suit Easi-T universal mortice locks
- AMK5000** Metal box keep to suit contract Easi-T lock
- AMK5001** Metal box keep to suit contract tubular latch TLE
- AMK5002** Metal box keep to suit contract Easi-T flat latch
- AMK5003** Metal box keep to suit Easi-T architectural sashlock
- AMK5004** Metal box keep to suit Easi-T heavy duty tubular latch
- APB1000** Plastic box keep to suit contract sashlock
- APB1001** Plastic box keep to suit Easi-T heavy duty tubular latch
- APB1002** Plastic box keep to suit architectural sashlock
- ASH5000** Heavy spring to suit Easi-T architectural locks



CYX71270SC



Cylinders

Selecting the correct cylinder...

Please note - not all cylinders available on next day delivery.

CYP 15 Pin Patented Cylinders Maximum Security

- 15 Pin cylinders with patented keys for applications that require the highest level of key and cylinder security
- Additional keys can be duplicated on production of owners security card
- Available in PB, PC, and SC finishes with keying options KTD, KA and UMK
- Construction key facility available

CYH 10 Pin Restricted Cylinders High Security

- 10 Pin cylinders with restricted keys for applications that require higher key security
- Available in PB, PC, SC and MB finishes with keying options KTD, KA and UMK
- Classroom cylinders and construction key facility available with this range

CYX 6 Pin British Standard Kitemarked Cylinders High Security

- 6 Pin, 1 Star British Standard Kitemarked cylinders in PB, PC and SC finishes for applications that require high cylinder security and ease of key duplication
- KTD, KA and UMK options available

CYA 5 Pin Architectural Cylinders Standard Security

- 5 Pin architectural cylinders in PB, PC and SC finishes for applications that require an architectural finish and the ability to key to customers specific requirements
- KTD, KA or UMK options available

CYE 5 Pin Economy Cylinders Standard Security

- 5 Pin economy cylinders in NP or SB finishes for applications where low cost is important
- Available in KTD options only

CYC 5 Pin Contract Cylinders Standard Security

- 5 Pin contract cylinders in NP finish
- Spring steel inserts to enhance security in the event of an attack
- Available keyed to differ in 3 popular sizes 60mm, 70mm and 80mm

All our cylinders are manufactured to the guidelines of BS EN 1303.

The security of any door assembly is a combination of many factors including the door construction and physical environment surrounding the door. However, the cylinder is probably the most vulnerable element in the assembly and is therefore subject to severe requirements of resistance to physical attack and other aspects of security such as key control.

BS EN 1303:2015 is the European Standard which establishes assessment and test criteria for a cylinder to quantify its resistance to physical attack, durability and key security. BS EN 1303:2015 classifies cylinders for locks using an 8 digit coding system. Features assessed include durability, fire resistance, key related security and attack resistance. The resulting 8 digit code can be used to directly compare the performance of one cylinder range against another.

Corrosion and Temperature Resistance

Four grades of corrosion resistance and temperature requirement are identified:

- Grade 0: No corrosion requirement; no temperature requirement;
- Grade A: High corrosion resistance; no temperature requirement;
- Grade B: No corrosion requirement; temperature requirement: from -25°C to + 65°C;
- Grade C: High corrosion resistance; temperature requirement: from -25°C to + 65°C.

Note:

It shall be possible to operate the cylinder with its proper key using a maximum torque of 1,5 Nm after tested according to grade 3 (96 hrs) of EN 1670. This corrosion test shall apply to the functionality only. No distinction is made between the inside and the outside of cylinder and/or door.

It shall be possible to operate the cylinder with its proper key using a maximum torque of 1,5 Nm at both -25°C and + 65°C.

Attack Resistance

Five grades of resistance against drilling and mechanical attack are identified in accordance with Table 3

See requirement of key related security 4.8.6 a

Clause	Requirement	Test Clause	Parameter	Grade					Unit
				0	A	B	C	D	
4.9.2	Resistance to drilling	6.9.1	Time Net/Total	—	3/5	5/10	3/5	5/10	Min.
4.9.3	Resistance to attack by chisel	6.9.2	Blows	—	30	40	30	40	No
4.9.4	Resistance to attack by twisting	6.9.3	Twists	—	20	30	20	30	No
4.9.5	Resistance to attack by plug/cylinder extraction	6.9.4	Force Net/Total	—	—	—	10 5/15	15 5/15	kN min
4.9.6	Torque resistance of plug/cylinder	6.9.5	Torque	— ^a	20	30	20	30	Nm

Door Mass

No Requirement.

1	6	0	B	0	C	5	D
---	---	---	---	---	---	---	---

Category of Use

The key shall not break under the applied torque of 2,5 Nm. After the test, the key shall be capable of being removed from the cylinder and re-used to operate the same cylinder with a torque not exceeding 1,5 Nm.

Durability

Three grades are identified according to the number of test cycles achieved:
 Grade 4: 25,000 Cycles
 Grade 5: 50,000 Cycles
 Grade 6: 100,000 Cycles

Fire Resistance

Three grades of suitability for use on fire resistant/smoke controlled doors are identified:

- Grade 0: Not approved for use on fire resistant/smoke control door assemblies;
 - Grade A: Suitable for use on smoke control door assemblies;
 - Grade B: Suitable for use on fire resistant and smoke control doors.
- For more info see Annex A.

Safety

No requirement.

Tested before the durability test. a
 Tested before and after the durability test. b
 Rounded to the lower integer. c

Key Related Security

Six grades are identified in accordance with table 2.

Clause	Requirement	Test Clause	Parameter	Grade						Unit
				1	2	3	4	5	6	
4.8.1	Min. number of effective differs	6.8.1	—	100	300	15 000	30 000	30 000	100 000	No
4.8.2	Min. number of movable detainers	6.8.2	—	2	3	5	5	6	6	No
4.8.3	Max. number of identical steps ^c	6.8.3	—	100	70	60	60	60	50	%
	Max. number of identical adjacent steps			—	2	2	2	2	2	No
4.8.4	Direct coding on key	6.8.4	—	—	—	No	No	No	No	—
4.8.5	Operation of security mechanism (interpassing)	6.8.5	Torque	1,5 ^a	1,5 ^a	1,5 ^a	1,5 ^b	1,5 ^b	1,5 ^b	Nm
4.8.6	Torque resistance of plug/cylinder	6.8.6	Torque	2,5	5	15	15	15	15	Nm

What is TS 007:2014?

TS 007:2014 + A2:2018 is the latest Kitemarked security standard for replacement lock cylinders and protective door furniture.

Why TS 007:2014?

TS 007:2014 is a Technical Specification created for the industry in response to the growing concerns that domestic homes are under threat from attacks due to the readily available information on the internet. Your cylinder at home needs to withstand 5 types of attack:

Drilling

Snapping

Plug Extraction

Picking

Bumping



ANTI-DRILL



BREAK OFF SYSTEM



ANTI-PLUG PULL



ANTI-PICK



ANTI-BUMP

What's different in TS 007:2014?

TS 007:2014 does not cover just basic forms of cylinder attack but also includes attack testing on the protective door furniture. It uses a star rating for both the cylinder and door furniture.

What does TS 007:2014 cover?

TS 007:2014 covers all aspects of attack tests on both cylinder and handles. It provides a mix and match option of door cylinders with protective door furniture when retrofitting and it allows the locksmith or security installer to achieve the required TS 007:2014 3 star rating.

Who needs TS 007:2014?

TS 007:2014 is aimed at the retrofit market UPVC and timber door market and anybody with a basic euro profile cylinder needs it. It is designed to offer similar levels of security found in complete door assemblies rated to PAS24 and complete lock assemblies rated to PAS and BS3621, 8621 and 10621.

How do I meet TS 007:2014 requirements?

Cylinders marked with 1 star + door furniture marked with 2 stars = 3 star rating.

How can I get my TS 007:2014 products?

Simply call, fax or email Carlisle Brass and order your 1 star kitemarked MPx6 cylinders and 2 star kitemarked handles. Should you require keyed alike or master keyed cylinder options, just call our cylinder shop with your requirements and we will do the rest.

★ + ★★ = ★★★



3 STAR SECURITY



BS EN 1303:2015

1 6 0 B 0 C 5 D



FD30/60



**TS 007:2014 + A2:2018
KM 585549**

MP15 Patented 15 Pin Cylinders

Cylinders

BS EN 1303 cylinder security grade 2*

Anti - pick

Anti - bump

Anti - drill

Anti - pull

Anti - twist

14 standard pins and 1 special patented pin per cylinder plug

PB, PC or SC finish

Euro profile

Standard rim cylinder

Keyed to differ (KTD)

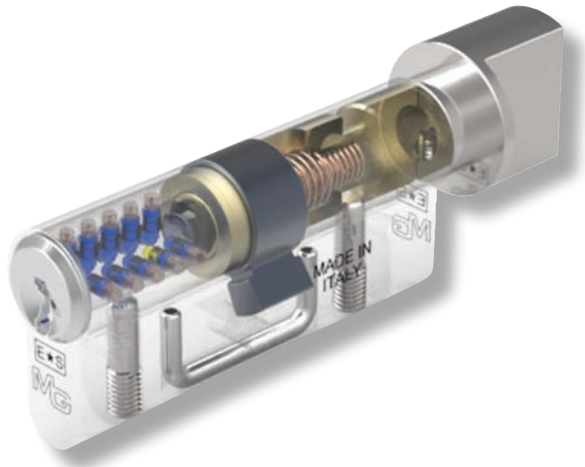
Keyed alike (KA)

Under master key (UMK)

Construction key capabilities (CK)

The construction key is used during installation, the user key is used to re-code the cylinder and automatically exclude the construction key

Other cylinder sizes available to special order



Keys

Hard wearing nickel silver keys with plastic coated grip

Patent protection until 2022 against illegal key duplication

Huge master keying capabilities (systems up to 10,000 doors)

Extended neck for use with security escutcheons

28 key cuts on 3 different axis

2 special patented floating pins in each key

Vertical key entry for ease of operation

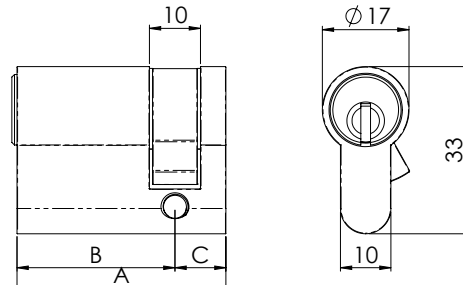
2 keys supplied with each cylinder

BS EN 1303 key security - grade 6 (maximum grade)



* When used in conjunction with AEB5000 security escutcheon

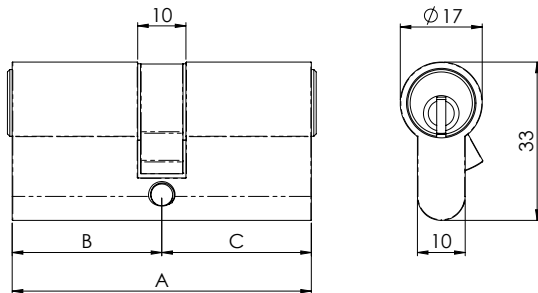
Euro Single Cylinder



KTD	A	B	C	KA	UMK
CYP71141	41	31	10	CYP74141	CYP77141
CYP71145	45	35	10	CYP74145	CYP77145



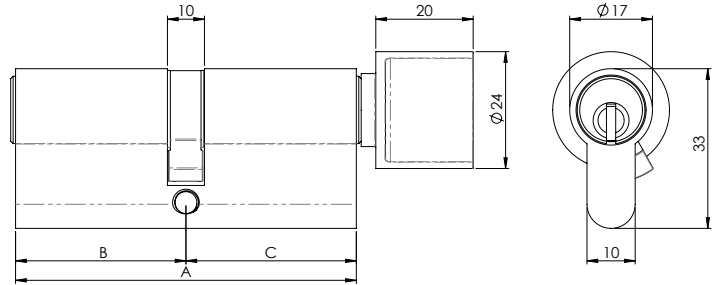
Euro Double Cylinder



KTD	A	B	C	KA	UMK
CYP71262	62	31	31	CYP74262	CYP77262
CYP71270	70	35	35	CYP74270	CYP77270
CYP71282	82	41	41	CYP74282	CYP77282



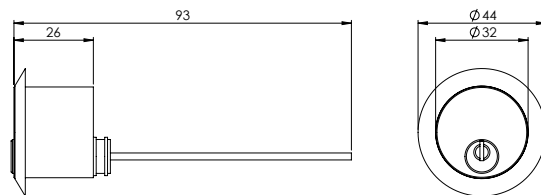
Euro Cylinder & Turn



KTD	A	B	C	KA	UMK
CYP71362	62	31	31	CYP74362	CYP77362
CYP71370	70	35	35	CYP74370	CYP77370
CYP71382	82	41	41	CYP74382	CYP77382



Standard Rim Cylinder



KTD	KA	UMK
CYP73526	CYP76526	CYP79526



MP10 Restricted 10 Pin Cylinders

Cylinders

BS EN 1303 cylinder security grade 2*

Anti - pick

Anti - bump

Anti - drill

PB, PC or SC finish

Euro profile

UK oval profile

Scandinavian oval profile

Universal rim cylinder

Padlock

Keyed to differ (KTD)

Keyed alike (KA)

Under master key (UMK)

Classroom function available (CR)

Construction key capabilities (CK)

The construction key is used during installation, the user key is used to re-code the cylinder and automatically exclude the construction key

Other cylinder sizes available to special order



Keys

Hard wearing nickel silver keys

Extensive master keying capabilities (systems up to 2,000 doors)

Restricted key profile only available through approved distributors

Extended neck for use with security escutcheons

Over 200 possible key profiles totalling more than 2 million key differs

Specially designed unique keyway

6 main top cuts

4 special side pin cuts

3 keys supplied with each cylinder

BS EN 1303 key security - grade 6 (maximum grade)

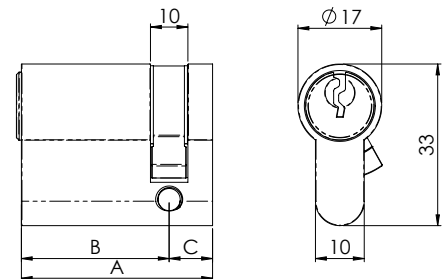


* When used in conjunction with AEB5000 security escutcheon

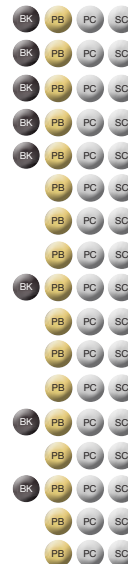
KTD	A	B	C	Workshop KTD	KA	UMK
42	32	10		CYG71142/KD	CYG74142	CYG77142
46	36	10		CYG71146/KD	CYG74146	CYG77146
50	40	10		CYG71150/KD	CYG74150	CYG77150
55	45	10		CYG71155/KD	CYG74155	CYG77155



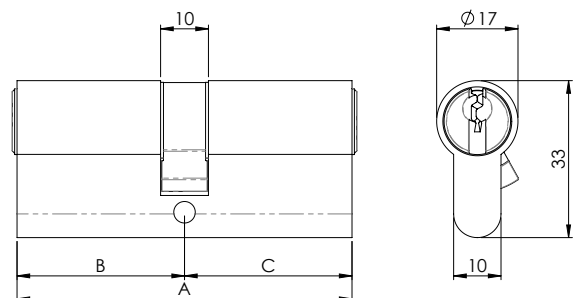
Euro Single Cylinder



KTD	A	B	C	Workshop KTD	KA	UMK
CYH71264	64	32	32	CYG71264/KD	CYG74264	CYG77264
CYH71270	70	35	35	CYG71270/KD	CYG74270	CYG77270
CYH71280	80	40	40	CYG71280/KD	CYG74280	CYG77280
	90	45	45	CYG71290/KD	CYG74290	CYG77290
	100	50	50	CYG712100/KD	CYG742100	CYG772100
	72	32	40	CYG7123240/KD	CYG7423240	CYG7723240
	82	32	50	CYG7123250/KD	CYG7423250	CYG7723250
	75	35	40	CYG7123540/KD	CYG7423540	CYG7723540
	80	40	40	CYG7123545/KD	CYG7423545	CYG7723545
	85	35	50	CYG7123550/KD	CYG7423550	CYG7723550
	90	35	55	CYG7123555/KD	CYG7423555	CYG7723555
	85	40	45	CYG7124545/KD	CYG7424045	CYG7724045
	90	40	50	CYG7124050/KD	CYG7424050	CYG7724050
	95	40	55	CYG7124055/KD	CYG7424055	CYG7724055
	100	40	60	CYG7124060/KD	CYG7424060	CYG7724060
	95	45	50	CYG7124550/KD	CYG7424550	CYG7724550
	100	45	55	CYG7124555/KD	CYG7424555	CYG7724555

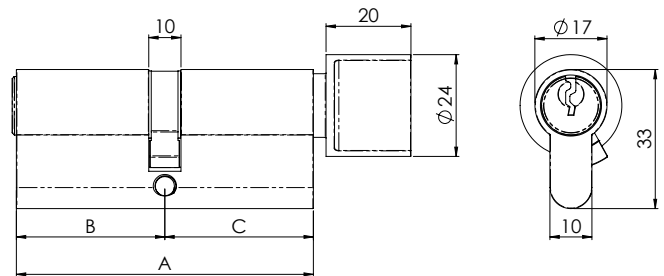


Euro Double Cylinder



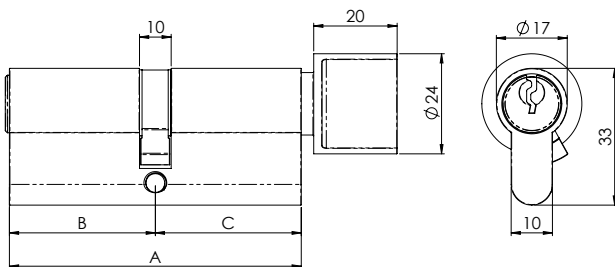
KTD	A	B	C	Workshop KTD	KA	UMK
CYH71364	64	32	32	CYG71364/KD	CYG74364	CYG77364
CYH71370	70	35	35	CYG71370/KD	CYG74370	CYG77370
CYH71380	80	40	40	CYG71380/KD	CYG74380	CYG77380
	90	45	45	CYG71390/KD	CYG74390	CYG77390
	100	50	50	CYG713100/KD	CYG743100	CYG773100
	72	32	40	CYG7133240/KD	CYG7433240	CYG7733240
	80	35	45	CYG7133545/KD	CYG7433545	CYG7733545
	72	40	32	CYG7134032/KD	CYG7434032	CYG7734032
	90	40	50	CYG7134050/KD	CYG7434050	CYG7734050
	100	40	60	CYG7134060/KD	CYG7434060	CYG7734060
	80	45	35	CYG7134535/KD	CYG7434535	CYG7734535
	95	45	50	CYG7134550/KD	CYG7434550	CYG7734550
	100	45	55	CYG7134555/KD	CYG7434555	CYG7734555
	90	50	40	CYG7135040/KD	CYG7435040	CYG7735040
	95	50	45	CYG7135045/KD	CYG7435045	CYG7735045
	100	55	45	CYG7135545/KD	CYG7435545	CYG7735545
	100	60	40	CYG7136040/KD	CYG7436040	CYG7736040

Euro Cylinder & Turn



KTD	A	B	C	Workshop KTD	KA	UMK
	70	35	35	CYG71370CR/KD	CYG74370CR	CYG77370CR
	80	40	40	CYG71380CR/KD	CYG74380CR	CYG77380CR

Classroom Cylinder



The Eurospec 10 Pin classroom cylinders have been designed to provide a simple and effective solution to classroom applications and can be ordered in 70mm or 80mm.

The main function of the classroom cylinder is to allow the key holder to lock or unlock the door at all times but allow a pupil to unlock the door from the inside in an emergency situation. The standard safety feature will ensure the door cannot be locked from the inside and the internal clutch mechanism will ensure a pupil cannot prevent a key holder from entering the room.

All classroom cylinders can be ordered keyed to differ, keyed alike or part of a master keyed system. The classroom cylinders can be ordered as (RH) clockwise or (LH) anti-clockwise unlocking to suit the door handing and in the unlikely event that the cylinder needs to be changed, a simple instruction sheet is included with each cylinder. A range of alternative thumbturns are also available.



MPx6 BS Kitemarked 6 Pin Cylinders

1 Star Rated

Cylinders - Packaged in Blister Pack

BS Kitemarked KM 585549

BS EN 1303 cylinder security - grade 2 (Maximum grade)

TS 007:2014 + A2:2018 - 1 Star

Anti - pick

Anti - bump

Anti - drill

Anti - plug pull

Anti - twist

Break - off system

Internal hardened steel pins

PB, PC or SC finish

Euro profile

Standard rim cylinder

Threaded rim cylinder

Keyed to differ (KTD)

Keyed alike (KA)

Under master key (UMK)

N.B. Master keyed cylinders retain the kitemark status

Other cylinder sizes available to special order

Keys

Hard wearing nickel silver keys

Large master keying capabilities (systems up to 1,000 doors)

Standard key section for ease of key duplication

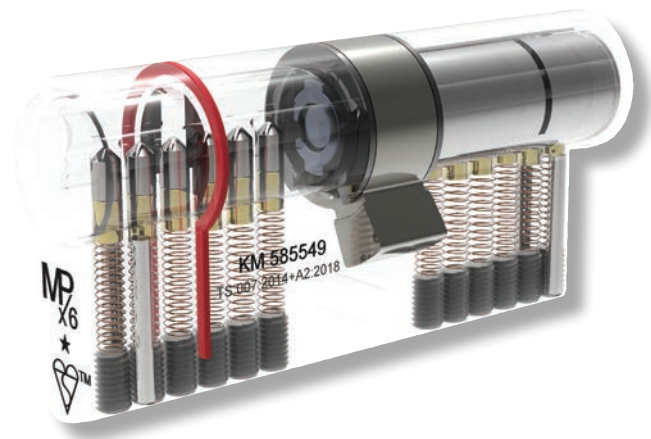
Extended neck for use with security escutcheons

3 keys supplied with each cylinder

BS EN 1303 key security - grade 5



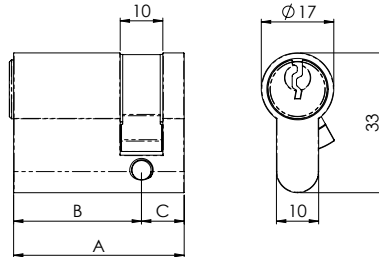
TS 007:2014 + A2:2018
KM 585549



KTD	A	B	C	Workshop KTD	KA	UMK
	46	36	10	CYF71146	CYF74146	CYF77146
	50	40	10	CYF71150	CYF74150	CYF77150



Euro Single Cylinder



TS 007:2014 + A2:2018
KM 585549

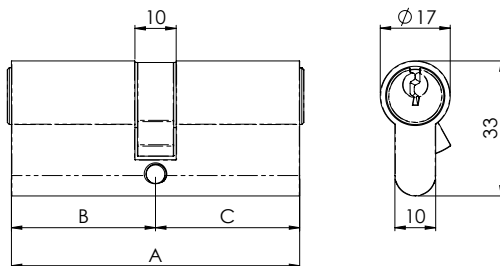


EN 1303:2015									
KM 585549 for TS 007:2014 + A2:2018									
1	6	0	B	0	C	5	D		

KTD	A	B	C	Workshop KTD	KA	UMK
CYX71270	70	35	35	CYF71270	CYF74270	CYF77270
CYX71280	80	40	40	CYF71280	CYF74280	CYF77280
CYX71290	90	45	45	CYF71290	CYF74290	CYF77290
CYX712100	100	50	50	CYF712100	CYF742100	CYF772100
CYX712110	110	55	55	CYF712110	CYF742110	CYF772110
CYX7123540	75	35	40	CYF7123540	CYF7423540	CYF7723540
CYX7123545	80	35	45	CYF7123545	CYF7423545	CYF7723545
CYX7123550	85	35	50	CYF7123550	CYF7423550	CYF7723550
CYX7124045	85	40	45	CYF7124045	CYF7424045	CYF7724045
CYX7124050	90	40	50	CYF7124050	CYF7424050	CYF7724050
CYX7124060	100	40	60	CYF7124060	CYF7424060	CYF7724060
CYX7124550	95	45	50	CYF7124550	CYF7424550	CYF7724550



Euro Double Cylinder



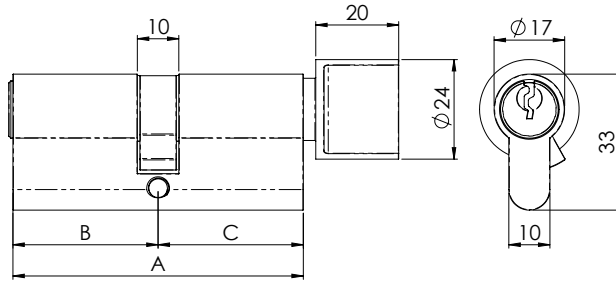
TS 007:2014 + A2:2018
KM 585549



EN 1303:2015									
KM 585549 for TS 007:2014 + A2:2018									
1	6	0	B	0	C	5	D		

KTD	A	B	C	Workshop KTD	KA	UMK
CYX71370	70	35	35	CYF71370	CYF74370	CYF77370
CYX71380	80	40	40	CYF71380	CYF74380	CYF77380
CYX71390	90	45	45	CYF71390	CYF74390	CYF77390
CYX713100	100	50	50	CYF713100	CYF743100	CYF773100
CYX7133545	80	35	45	CYF7133545	CYF7433545	CYF7733545
CYX7134060	100	40	60	CYF7134060	CYF7434060	CYF7734060
CYX7134535	80	45	35	CYF7134535	CYF7434535	CYF7734535
CYX7136040	100	60	40	CYF7136040	CYF7436040	CYF7736040

Euro Cylinder & Turn



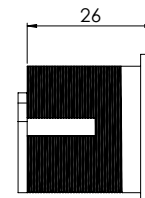
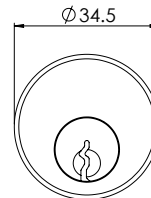
TS 007:2014 + A2:2018
KM 585549

Secured by Design
SBD
Official Police Security Initiative



EN 1303:2015						
KM 585549 for TS 007:2014 + A2:2018						
1	6	0	B	0	C	5 D

Threaded Rim Cylinder



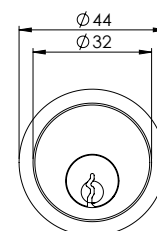
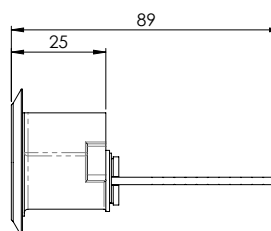
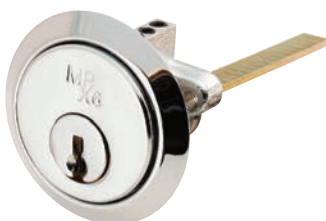
KTD
CYF73624

KA
CYF76624

UMK
CYF79624



Standard Rim Cylinder



KTD
CYF73524

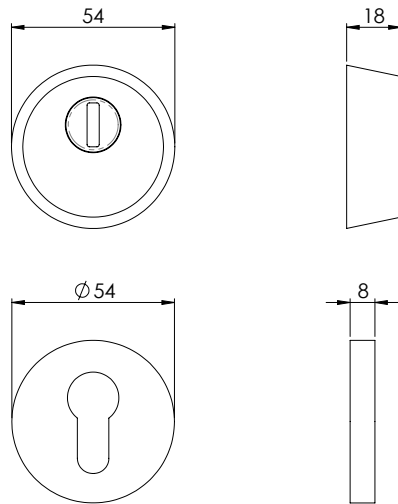
KA
CYF76524

UMK
CYF79524





New



**3 STAR
SECURITY**

EN 1906:2012							
KM 585549 for TS 007:2014 + A2:2018							
1	6	-	B	-	3	-	-

MP5 Economy and Architectural 5 Pin Cylinders

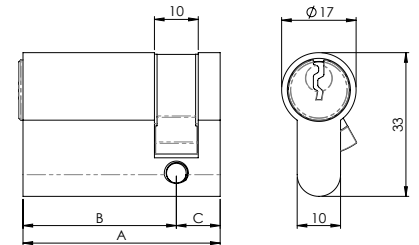


	Economy	Architectural
3 keys per cylinder	✓	✓
Open section keys	✓	✓
Brass keys (nickel plated)	✓	✓
SB or NP finish	✓	X
PB, PC or SC finish	X	✓
Euro profile	✓	✓
UK oval profile	✓	✓
Standard rim cylinder	✓	✓
Threaded rim cylinder	X	✓
Padlock	X	✓
Keyed to differ (KTD)	✓	✓
Keyed alike (KA)	X	✓
Under master key (UMK)	X	✓
Unique master keying	X	✓
BS EN 1303 grade 3	X	✓
Other cylinder sizes available to special order	✓	✓

KTD	A	B	C	Workshop KTD	KA	UMK
CYA71140	40	30	10	CYB71140/KD	CYB74140	CYB77140
CYA71145	45	35	10	CYB71145/KD	CYB74145	CYB77145
CYA71150	50	40	10	CYB71150/KD	CYB74150	CYB77150



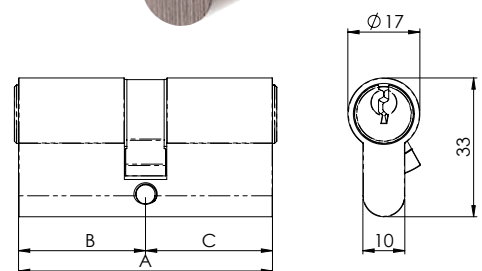
Euro Single Cylinder



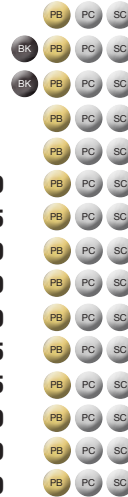
KTD	A	B	C	Workshop KTD	KA	UMK
CYA71260	60	30	30	CYB71260/KD	CYB74260	CYB77260
CYA71270	70	35	35	CYB71270/KD	CYB74270	CYB77270
CYA71280	80	40	40	CYB71280/KD	CYB74280	CYB77280
CYA71290	90	45	45	CYB71290/KD	CYB74290	CYB77290
CYA712100	100	50	50	CYB712100/KD	CYB742100	CYB772100
CYA7123050	80	30	50	CYB7123050/KD	CYB7423050	CYB7723050
CYA7123545	80	35	45	CYB7123545/KD	CYB7423545	CYB7723545
CYA7124050	90	40	50	CYB7124050/KD	CYB7424050	CYB7724050
CYA7124060	100	40	60	CYB7124060/KD	CYB7424060	CYB7724060
CYA7124550	95	45	50	CYB7124550/KD	CYB7424550	CYB7724550
	110	55	55	CYB712110/KD	CYB742110	CYB772110



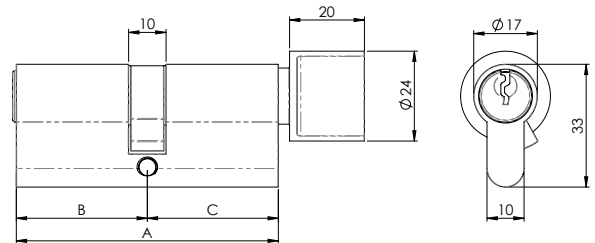
Euro Double Cylinder



KTD	A	B	C	Workshop KTD	KA	UMK
CYA71360	60	30	30	CYB71360/KD	CYB74360	CYB77360
CYA71370	70	35	35	CYB71370/KD	CYB74370	CYB77370
CYA71380	80	40	40	CYB71380/KD	CYB74380	CYB77380
CYA71390	90	45	45	CYB71390/KD	CYB74390	CYB77390
CYA713100	100	50	50	CYB713100/KD	CYB743100	CYB773100
CYA7134030	70	40	30	CYB7134030/KD	CYB7434030	CYB7734030
CYA7134535	80	45	35	CYB7134535/KD	CYB7434535	CYB7734535
CYA7134060	100	40	60	CYB7134060/KD	CYB7434060	CYB7734060
CYA7136040	100	60	40	CYB7136040/KD	CYB7436040	CYB7736040
	70	30	40	CYB7133040/KD	CYB7433040	CYB7733040
	80	35	45	CYB7133545/KD	CYB7433545	CYB7733545
	85	40	45	CYB7134045/KD	CYB7434045	CYB7734045
	85	45	40	CYB7134540/KD	CYB7434540	CYB7734540
	80	30	50	CYB7133050/KD	CYB7433050	CYB7733050
	80	50	30	CYB7135030/KD	CYB7435030	CYB7735030

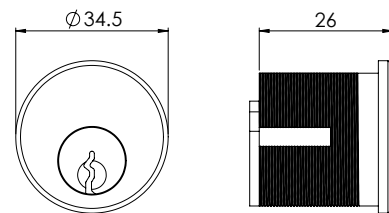


Euro Cylinder & Turn



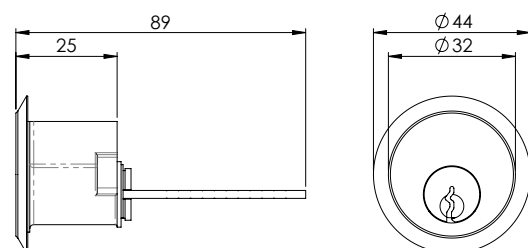
Workshop KTD	KA	UMK
CYB73620/KD	CYB76620	CYB79620

Threaded Rim Cylinder

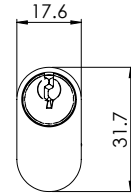
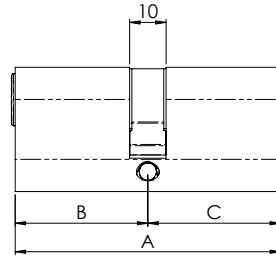


Workshop KTD	KA	UMK
CYB73520/KD	CYB76520	CYB79520

Standard Rim Cylinder



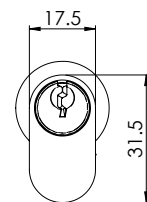
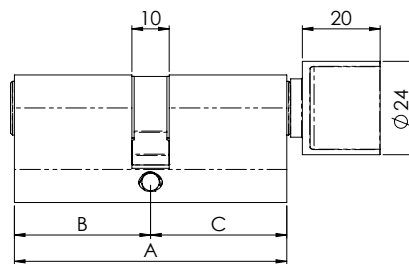
Oval Double Cylinder



KTD	A	B	C	KA	UMK
CYA72270	70	35	35	CYB75270	CYB78270



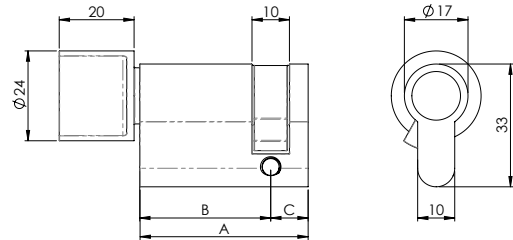
Oval Cylinder & Turn



KTD	A	B	C	KA	UMK
CYA72370	70	35	35	CYB75370	CYB78370



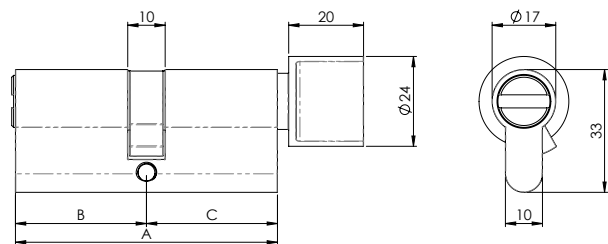
Euro Single Thumbturn Only



KTD	A	B	C
CYA70445	45	35	10



Euro Bathroom Cylinder & Turn

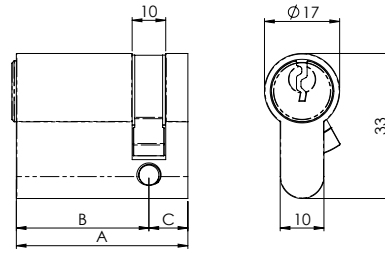


KTD	A	B	C
CYA70470	70	35	35



Euro Single Cylinder

NP

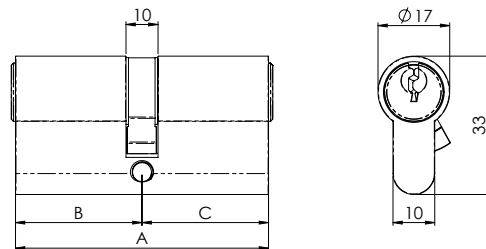


KTD	A	B	C
CYE71140	40	30	10
CYE71145	45	35	10



Euro Double Cylinder

NP SB



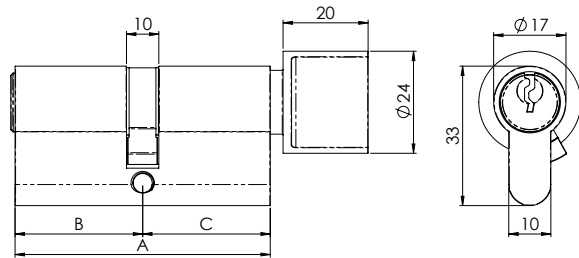
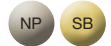
KTD	A	B	C	
CYE71260	60	30	30	NP
CYE71270	70	35	35	NP SB
CYE71280	80	40	40	NP SB
CYE71290	90	45	45	NP SB
CYE712100	100	50	50	NP

OFFSET	A	B	C	
CYE7123035	65	30	35	NP
CYE7123040	70	30	40	NP
CYE7123050	80	30	50	NP
CYE7123540	75	35	40	NP
CYE7123545	80	35	45	NP
CYE7123550	85	35	50	NP

OFFSET	A	B	C	
CYE7124045	85	40	45	NP SB
CYE7124050	90	40	50	NP
CYE7124055	95	40	55	NP
CYE7124060	100	40	60	NP
CYE7124550	95	45	50	NP
CYE7124555	100	45	55	NP



Euro Cylinder & Turn

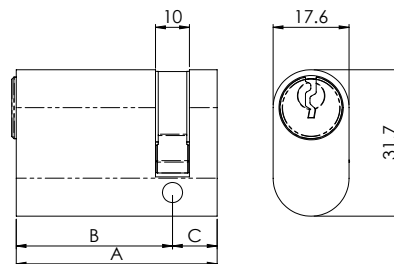


KTD	A	B	C	
CYE71360	60	30	30	
CYE71370	70	35	35	
CYE71380	80	40	40	
CYE71390	90	45	45	

OFFSET	A	B	C	
KTD				
CYE7134035	75	40	35	



Oval Single Cylinder

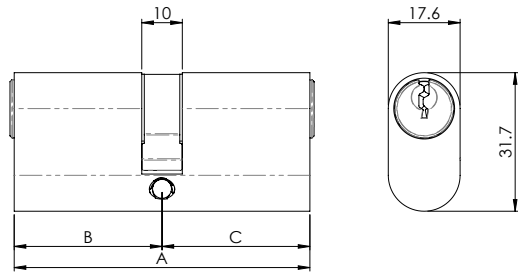


KTD	A	B	C
CYE72140	40	30	10
CYE72145	45	35	10



Oval Double Cylinder

NP

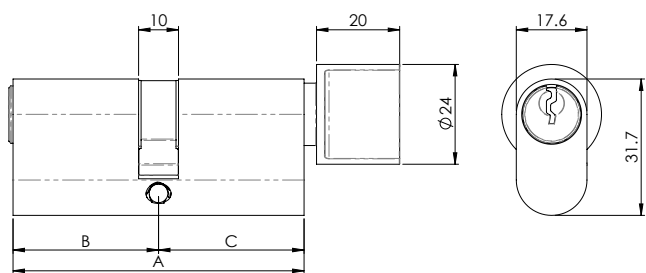


KTD	A	B	C
CYE72260	60	30	30
CYE72270	70	35	35



Oval Cylinder & Turn

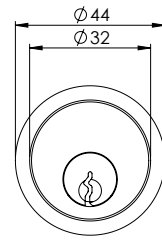
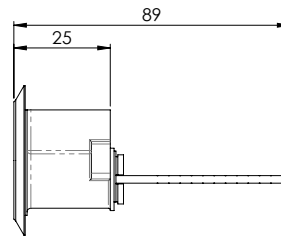
NP



KTD	A	B	C
CYE72360	60	30	30
CYE72370	70	35	35



Standard Rim Cylinder



KTD
CYE73520 32 dia.



Contract 5 Pin Cylinders

Cylinders

5 pin mechanism

Spring steel inserts for enhanced protection against attack

3 keys per cylinder

NP finish

Euro profile

Double and turn version

Keyed to differ



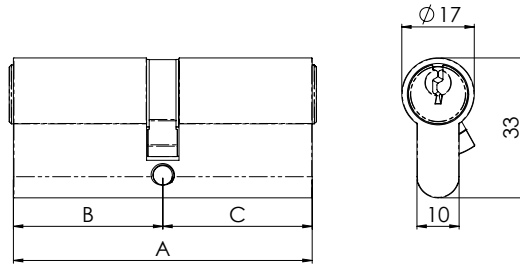
Keys

Brass keys (nickel plated)

Open key section

Standard round headed keys

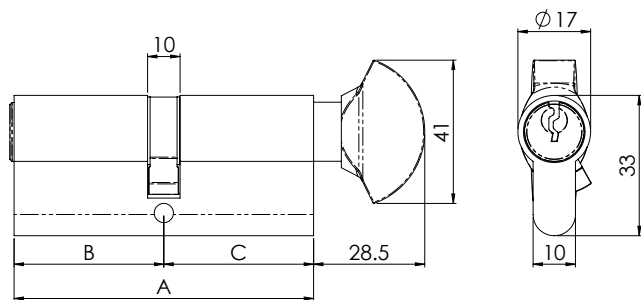
Euro Double Cylinder



KTD	A	B	C
CYC71260	60	30	30
CYC71270	70	35	35
CYC71280	80	40	40



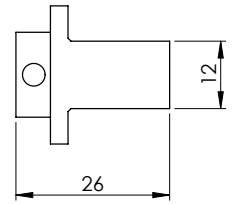
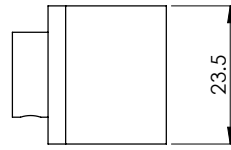
Euro Cylinder & Turn



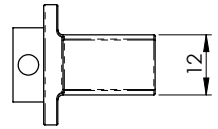
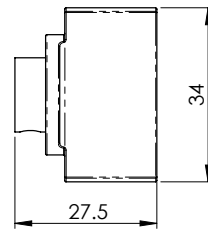
KTD	A	B	C
CYC71360	60	30	30
CYC71370	70	35	35
CYC71380	80	40	40



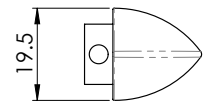
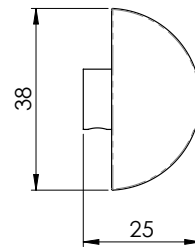
CYZ70006
Standard Thumbturn



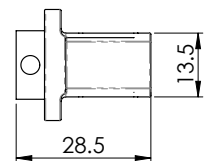
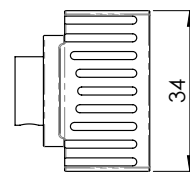
CYZ70007
Large Thumbturn



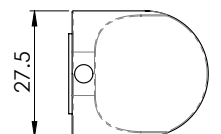
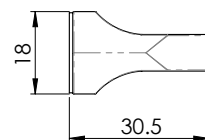
CYZ70008
Round Thumbturn



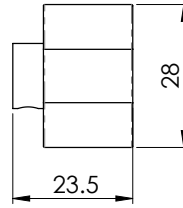
CYZ70009
Large Thumbturn with Grip



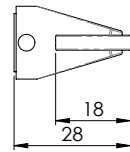
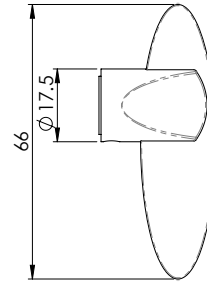
CYZ70011
Tall Semi-Circular Thumbturn



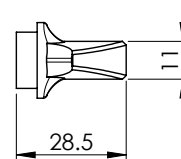
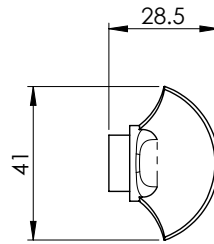
CYZ70012
Peanut Shaped Thumbturn



CYZ70016
Shaped Disabled Thumbturn



CYZ70017
Fan Shaped Thumbturn



CYZ70002
19mm key ring



CYZ70003
Key tag



CYZ70004
M5x65mm fixing screw for profile cylinders



CYZ70040
Fixing screw for rim cylinders



CYZ70050
Steel backplate for rim cylinder



CYZ75061
Spare cam for 10 pin rim cylinder



CYZ70060
Tail for 5/6 pin rim cylinder



CYZ75060
Tail for 10 pin rim cylinder



CYZ72001CDW/R
Construction Key (Red)

CYZ72001CDW/G
15 Pin Grand Master Key (Green)

CYZ72001CDW/BK
15 Pin Differ Key (Black)

CYZ72001CDW/B
15 Pin Master Key (Blue)

CYZ7500DNS
10 Pin Differ Key

CYZ75000NS
10 Pin Stocksuite Master Key



CYZ78001NS
MPx6 6 Pin Cylinder Keyblank



CYZ70001/6
6 Pin Cylinder Keyblank to suit
British Standard Cylinder Locks



CYZ70001
5 Pin Cylinder Keyblank

CYZ70000
5 Pin Stock Suite Master Key



CYZ74001
5 Pin Cylinder Keyblank - Contract



Security Cards are supplied with all new cylinders or MK suites. This security card is retained by the owner of the cylinder or master key system and must be produced to the distributor with any orders for additional keys or cylinders. The owner card contains either the key number or master key system reference number in addition to all distributor details.

CYPL2050BZP/BP



Outdoor Security

Outdoor Security

Brass Padlocks

- Hardened steel shackle
- Double locking shackle
- Solid brass body
- Supplied with 3 brass keys
- Available keyed alike
- Master keyed options

Stainless Steel Padlocks

- External use
- Hardened steel shackle
- Double locking shackle
- Weather resistant stainless steel body
- Supplied with 3 brass keys

ABS Waterproof Padlocks

- External use
- Hardened steel shackle
- Double locking shackle
- ABS thermoplastic shell
- Supplied with 3 brass keys
- Available keyed alike in pairs

Heavy Duty Security Padlock

- ABS covered steel body
- 11mm hardened steel shackle
- Pick, drill and bump resistant
- Removable shackle
- Supplied with 3 high security keys

Armoured Shutter Padlock

- External use
- Hardened steel rolling shackle
- Double locking shackle
- Zinc plated steel clad brass body
- Supplied with 3 brass keys
- Keyed alike options

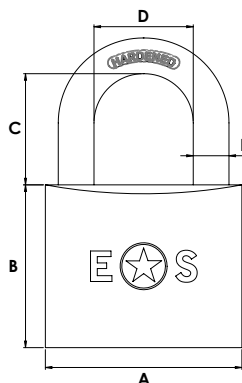
Combination Padlocks

- Ideal for lockers or luggage
- Chrome plated shackle
- Solid brass body
- Simple to use resettable combinations

Laminated Steel Padlocks

- Hardened steel shackle
- Double locking shackle
- Zinc plate laminated steel body
- Supplied with 3 brass keys
- Available keyed alike in pairs

Brass Padlock - Standard Shackle

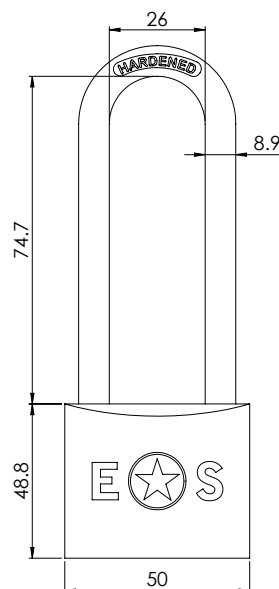


	A	B	C	D	E	Grade	Pack Qty
Blister Packed to Differ							
CYPL1030SB/BP	30	25.3	16.7	14.5	5.2	2	1
CYPL1040SB/BP	38	31.3	21.8	19.5	6.3	3	1
CYPL1050SB/BP	50	40.8	29	26	8.9	3	1
Blister Packed Keyed Alike							
CYPL1450SB/BP	50	40.8	29	26	8.9	3	2

Key Blanks Available



Brass Padlock - Long Shackle

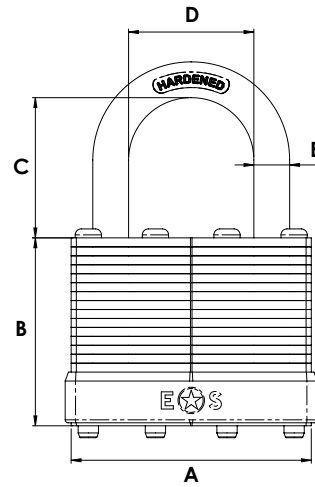


	A	B	C	D	E	Grade	Pack Qty
Blister Packed to Differ							
CYPL1051SB/BP	50	48.8	74.7	26	8.9	3	1

Key Blanks Available



Laminated Steel Padlock - Standard Shackle

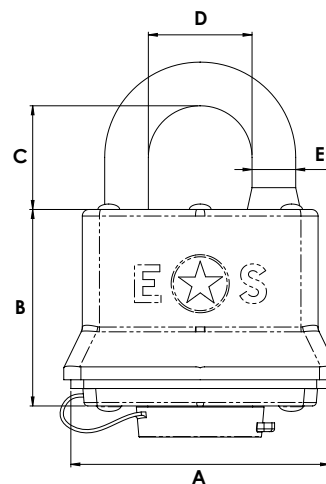


Blister Packed to Differ	A	B	C	D	E	Grade	Pack Qty
CYPL2040BZP/BP	40	33	24	20.5	6.1	2	1
CYPL2050BZP/BP	50	37.5	27.5	24.5	8.8	3	1

Key Blanks Available



ABS Waterproof Padlock - Standard Shackle



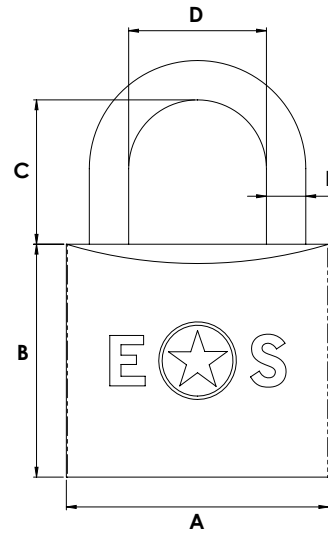
Blister Packed to Differ	A	B	C	D	E	Grade	Pack Qty
CYPL2050ABS/BP	59	44	23	22.5	10.5	4	1

Key Blanks Available



G304 Stainless Steel Padlock - Standard Shackle

SSS



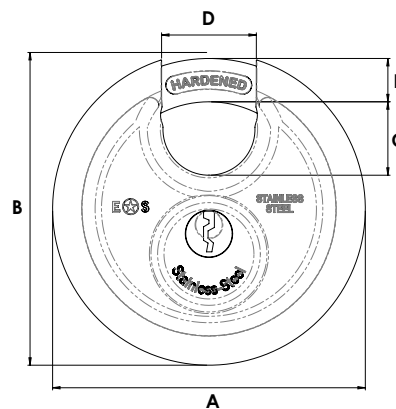
Blister Packed to Differ	A	B	C	D	E	Grade	Pack Qty
CYPL3030SSS/BP	30	29	18	15	5	4	1
CYPL3040SSS/BP	40	35	22	21	6	4	1
CYPL3050SSS/BP	50	43	28	26	8	5	1
CYPL3060SSS/BP	60	52	34	31	10	5	1



Key Blanks Available

G304 Stainless Steel Padlock - Closed Shackle

SS

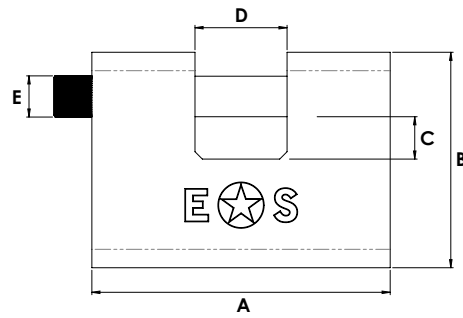


Blister Packed to Differ	A	B	C	D	E	Grade	Pack Qty
CYPLD3070SS/BP	70	70	18	22	9.5	5	1

Key Blanks Available



Armoured Steel Brass Padlock - Closed Shackle

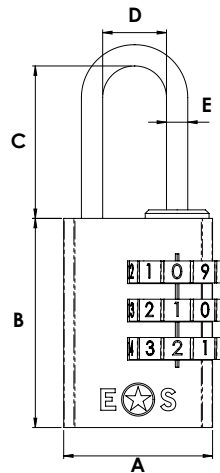


Blister Packed to Differ	A	B	C	D	E	Grade	Pack Qty
CYPLB3080SS/BP	80	58	25	30	11	5	1

Key Blanks Available



Combination Padlock - Side Wheel

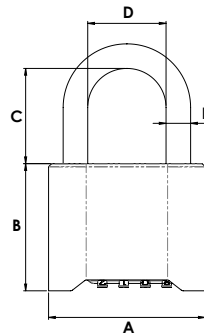


Blister Packed	A	B	C	D	E	Grade	Pack Qty
CYPLC1030SB/BP	28.5	41.2	26.8	12.4	5	2	1



Heavy Duty Combination Padlock - Bottom Wheel

SB



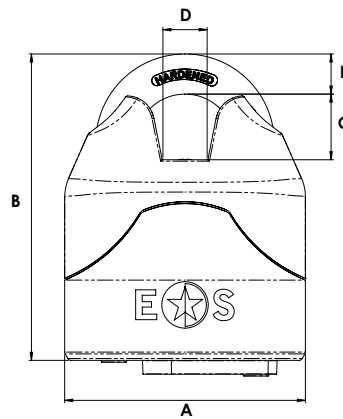
Blister Packed
CYPLC1050SB/BP

A	B	C	D	E	Grade	Pack Qty
52.8	41.4	29.7	25.5	7.9	3	1



65mm Heavy Duty Security Padlock - Closed Shackle

ABS



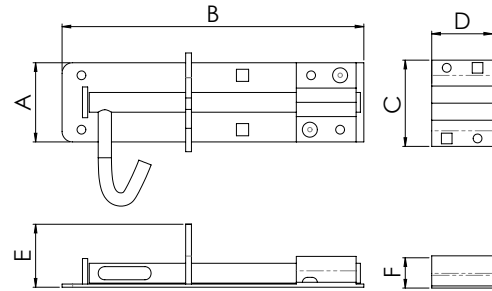
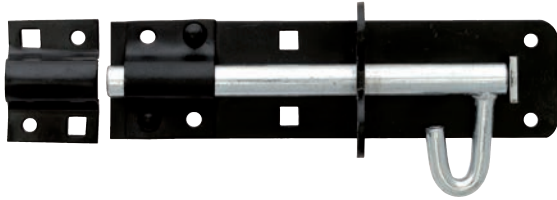
Carded
CYPLA65SC

A	B	C	D	E	Grade	Pack Qty
65	80	19	16	11	5	1





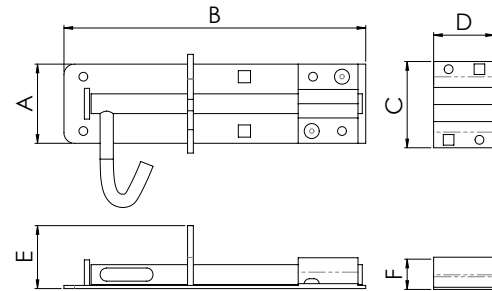
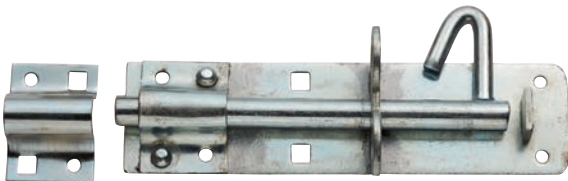
IPB150EXB/BP
Brenton Padbolt 150mm
IPB200EXB/BP
Brenton Padbolt 200mm



	A	B	C	D	E	F
IPB150	45	171	48	35	36	17
IPB200	45	220	48	35	36	17



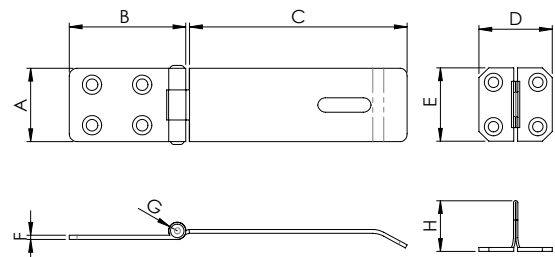
IPB100BZP/BP
Brenton Padbolt 100mm
IPB150BZP/BP
Brenton Padbolt 150mm
IPB200BZP/BP
Brenton Padbolt 200mm



	A	B	C	D	E	F
IPB100	45	120	48	35	36	17
IPB150	45	171	48	35	36	17
IPB200	45	220	48	35	36	17



ISH076BZP/BP
Safety Hasp 3"
ISH114BZP/BP
Safety Hasp 4.5"
ISH150BZP/BP
Safety Hasp 6"



	A	B	C	D	E	F	G	H
ISH076	30	26	76	30	29	2	9	26
ISH114	38	58	114	40	38	2	9	26
ISH150	38	58	150	40	38	2	9	26

XDL5760SV



Panic and Emergency Exit Hardware

Panic and Emergency Exit Hardware

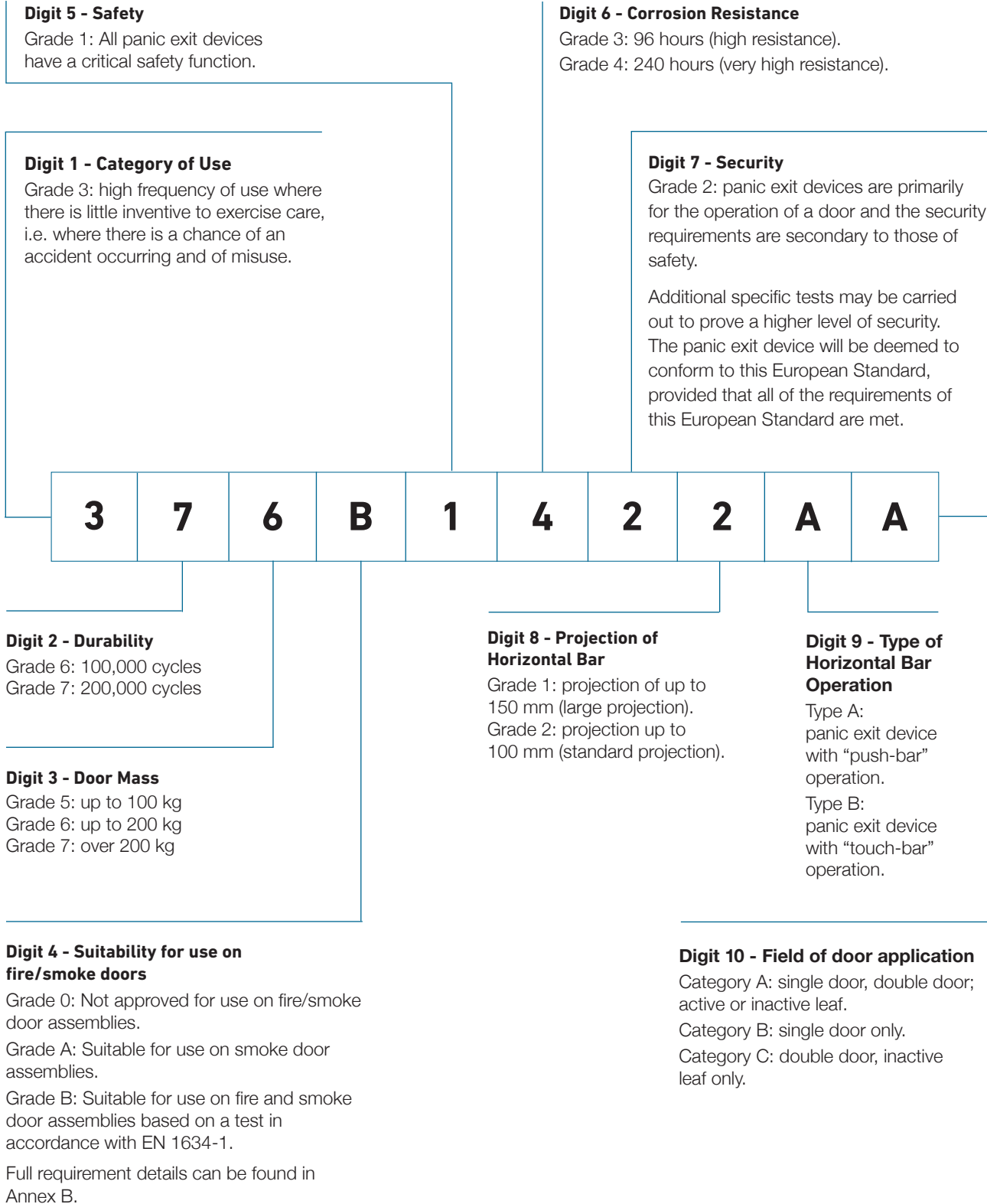
CONTRACT

- Suitable for single and double doors
- Dogging device as standard
- Easi-reverse latch
- Top tripper device on bolts

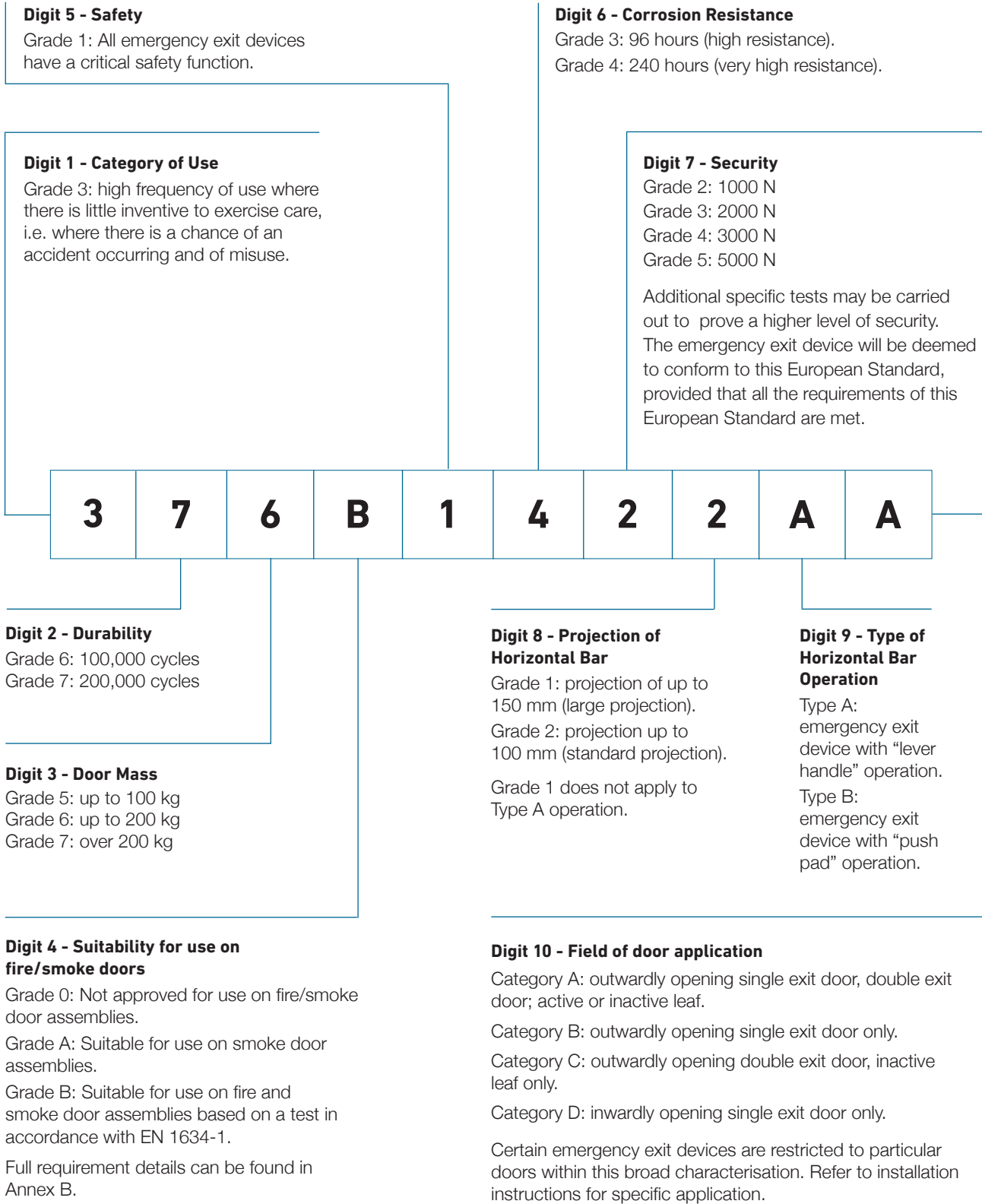
PUSH PADS

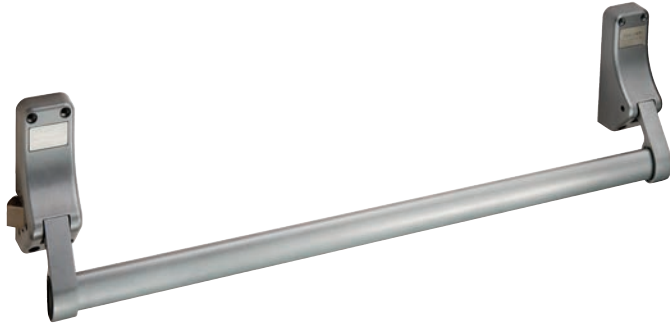
- Double handed
- Narrowstyle
- Pullman latch

BS EN 1125:2008 The standard relating to general safety and escape from buildings has made it desirable that doors at final exits should be fitted with panic devices operated by a horizontal bar. This applies to public buildings, places of entertainment, shops etc. The emphasis for products covered by this standard is on safe exit rather than security.



BS EN 179:2008 is the standard covering devices to be used in emergency situations where people are familiar with the emergency exit and its hardware and therefore a panic situation is most unlikely to develop. Devices operated by a lever handle or push pad may therefore be used.





XDL5760SV

760mm Pushbar panic latch
with dogging function c/w strike

XDB5760SV

760mm Pushbar panic bolt
c/w vertical rods

XCA5000SV

Spare Pushbar to suit
doors up to 1200mm

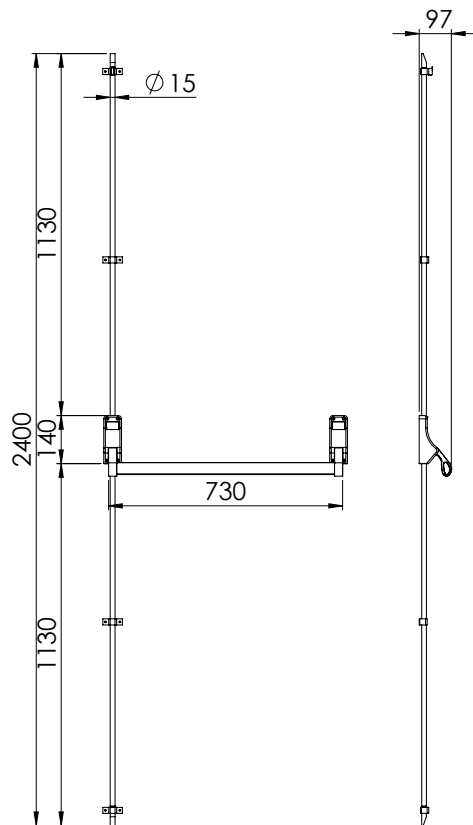


Suitable for single
and double doors

Dogging device as standard

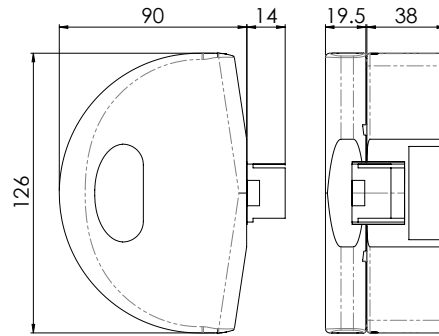
Easi-reverse latch

Top tripper device on bolts



EN 1125:2008									
2812 - CPR - AAA010									
3	7	6	B	1	4	2	2	A	A

XIA5002SC
XIA5002SV
Push Pad Latch

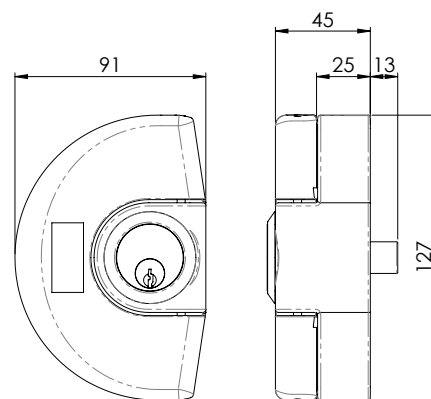


APPROVED PRODUCT
CF719



EN 179:2008										
2812 - CPR - ABB018										
3	7	6	B	1	4	2	2	B	B	

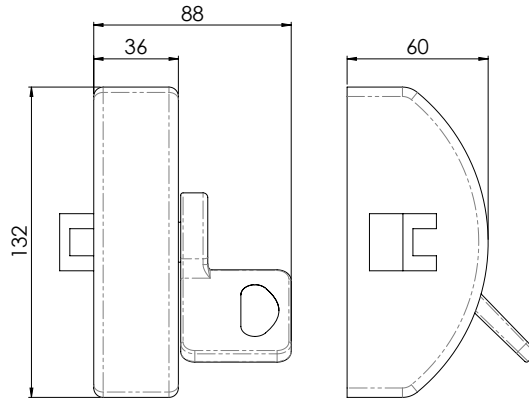
XIA5003SV
External Locking Attachment
c/w 5 pin cylinder



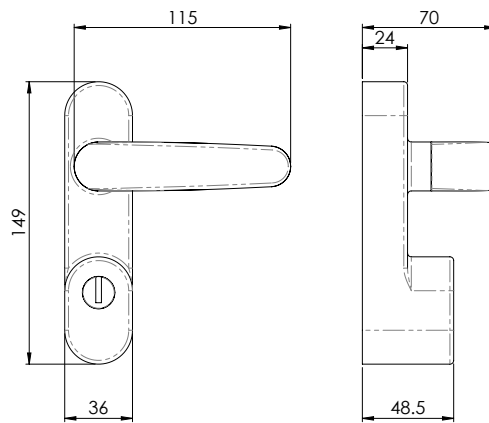
Listed on Certifire certificate CF719 as an approved accessory only.
Approved for use with XDL5760 Push Bar Panic Latch, XIA5002 and XSA5002 Push Pads.

XSA5002SV
Narrow Style Push Pad

SV



XSA5002 EN 179:2008										
2812 - CPR - ABB028										
3	7	6	B	1	4	2	2	B	A	

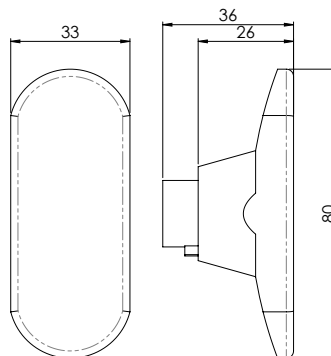


XSA5003SV
Lever Operated External
Locking Attachment
c/w 10 pin cylinder

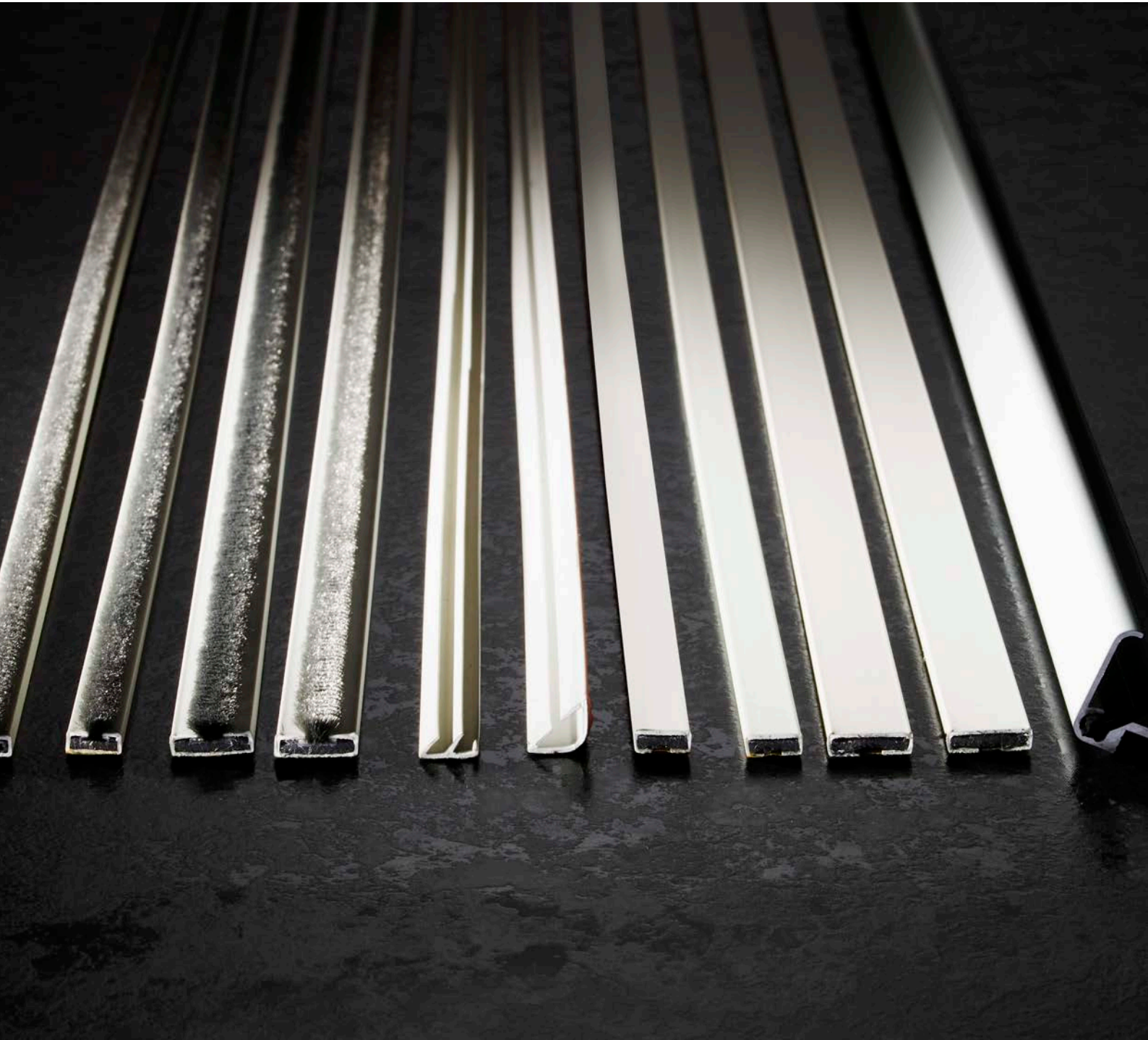
For use with XDB5760
use XSA5033K/SV

XSA5033K/SV
Replacement T handle
for XSA5003

SV



XSA5003SV Listed on Certifire certificate CF719 as an approved accessory only.
Approved for use with XDL5760 Push Bar Panic Latch, XIA5002 and XSA5002 Push Pads.



Intumescent Fire Protection and Acoustic Sealing Systems

Intumescent Fire Protection and Acoustic Sealing Systems

Acoustic seals form an effective barrier against the outside climate, noise, light, fire, smoke and insects

Cost effective solution for part E and M of the latest UK building regulations, relating to disability, access and energy conservation

Self Adhesive Intumescent Fire Seals

Rapid high pressure multi directional expansion

Mineral based: safe to handle, containing no fibrous material or harmful chemicals

Unaffected by moisture, humidity, atmospheric pollution and other common industrial and household chemical substances

Laboratory ageing tests indicate a life expectancy in excess of 100 years

Supplied with a self adhesive backing for ease of application

Identification on each product ensures full traceability

Drop Down Seals

High quality scissor action to accommodate uneven floors unlike weaker systems which can bend if the door is slammed

Fully adjustable seal to take up to a 14mm drop

Easy maintenance with a "slide in slide out" seal

Operationally tested to 200,000 cycles

Fully tested with and without use of threshold plates, also tested straight down to carpet

The only system to have this evidence

Seal drops on hinge side before lock side

Galvanized steel flat springs and reinforced actuators

Intumescent Packs

Material	Initial Expanding Deg -C	Main Body Expanding Deg -C	Free Expansion Rate	Density
Intercalated graphite 0.8mm sheet	> -180°C	550°C	Multi Directional X 40 Volume	1.2g/cm ³

One pack suitable for both FD30 and FD60 applications, unless otherwise stated. Successfully included within BS EN 1634-1:2014.

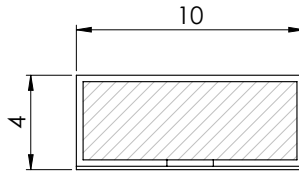
Finger Protection

According to the RoSPA, the Royal Society for Prevention of Accidents, over 30,000 children in the UK require hospital treatment every year after trapping their fingers in doors. More than 1,500 of these children need surgery, sometimes requiring plastic/reconstructive surgical operations. Nasty accidents of this type can easily be prevented using any of the products from our finger protection range.



CB140-25
2100mm x 10mm x 4mm
Self Adhesive White Fire Door Seal
25 Pack

FDP104W
1050mm x 10mm x 4mm
Self Adhesive White Fire Door Seal
5 Pack



CB100-25
Brown

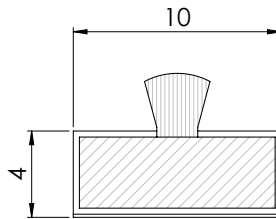


FDP104B
Brown



CB145-25
2100mm x 10mm x 4mm
Self Adhesive
White Fire and Smoke Door Seal
25 Pack

FDPS104W
1050mm x 10mm x 4mm
Self Adhesive
White Fire and Smoke Door Seal
5 Pack



CB125-25
Brown

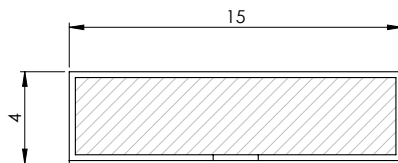


FDPS104B
Brown



CB120-25
2100mm x 15mm x 4mm
Self Adhesive White Fire Door Seal
25 Pack

FDP154W
1050mm x 15mm x 4mm
Self Adhesive White Fire Door Seal
5 Pack



CB110-25
Brown

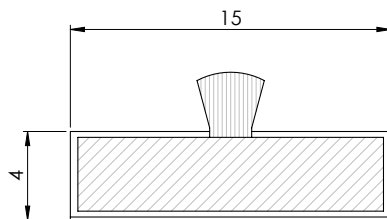


FDP154B
Brown



CB115-25
2100mm x 15mm x 4mm
Self Adhesive
White Fire and Smoke Door Seal
25 Pack

FDPS154W
1050mm x 15mm x 4mm
Self Adhesive
White Fire and Smoke Door Seal
5 Pack



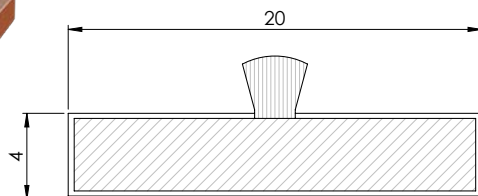
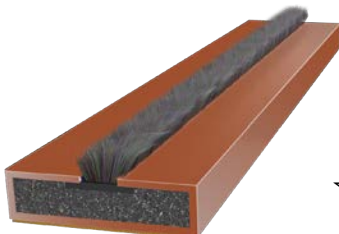
CB130-25
Brown



FDPS154B
Brown

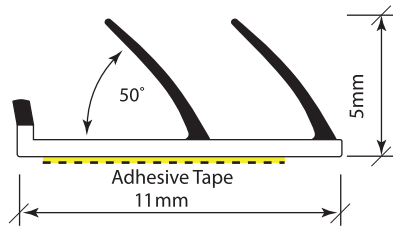


CB170-25
2100mm x 20mm x 4mm
Self Adhesive
White Fire and Smoke Door Seal
25 Pack



CB175-25
Brown

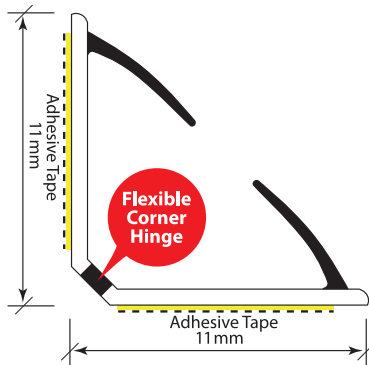




ES1400
2100mm x 11mm x 5mm
Self Adhesive White 35dB Rw
Acoustic Twin Blade Perimeter Seal
50 Pack



ES1401
Brown



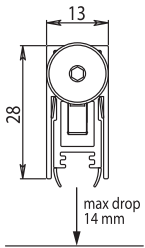
ES1403
2100mm x 11mm x 11mm
Self Adhesive White 39dB Rw
Acoustic Corner Perimeter Seal
70 Pack



ES1405
Black



ES1404
Brown



ES1205
830mm

ES1206
930mm

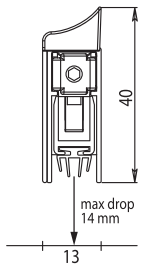
ES1207
1030mm

ES1208
1130mm

ES1204
TOP 37 Rebated model for timber doors
730mm 37dB Rw 5 Pack



- Prefitted screws for quick cost effective fixing
- Seal drops on hinge side before lock side
- Seal removable to assist installation/replacement
- 14mm maximum drop
- Galvanised steel flat springs and reinforced actuators
- 2 fin high quality 'V' zero class PVC rubber coextruded seal and carrier, self extinguishing, in aluminium body



ES1232
730mm

ES1233
830mm

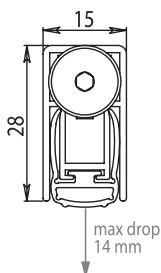
ES1234
930mm

ES1235
1030mm

ES1231
APPLIQUE 37 Surface mounted for retro fitting
on timber door sets 630mm 37dB Rw 5 Pack



- Screw fix (screws supplied)
- Can be fitted to inside (lock side using bumper provided) or outside of the door (non lock side)
- Seal drops on hinge side before lock side
- 14mm maximum drop
- Galvanised steel flat springs and reinforced actuators
- 4 fin high quality 'V' zero class PVC rubber seal, self extinguishing



ES1223
830mm

ES1224
930mm

ES1225
1030mm

ES1222
ACOUSTIC PLUS 51 Rebated model for timber doors
730mm 51dB Rw 5 Pack



- Prefitted screws for quick cost effective fixing
- Seal drops on hinge side before lock side
- Seal removable to assist installation/replacement
- 14mm maximum drop
- Galvanised steel flat springs and reinforced actuators
- Sound insulating seal, high quality 'V' zero class PVC rubber, self extinguishing, in aluminium body

ES1271



Universal UK sashlock pack c/w strike plate with cut down serrations to fit 3.0" and 2.5" case sizes S/A. Suits architectural sash locks

ES1272



Universal UK flat latch pack c/w strike plate S/A. Suits FLL

ES1273



Universal UK deadlock pack c/w strike plate with cut down serrations to fit 3.0" and 2.5" case sizes S/A. Suits architectural dead locks

ES1274



Universal DIN lock fire pack c/w strike plate to suit Easi-T lock dimensions and able to work with 55mm and 60mm backset follower centres S/A Suits din modular locks

ES1275



Fire brigade lock pack c/w strike plate. Suits LFB2

ES1276



Residential bathroom/sashlock fire pack c/w strike plates S/A Suits BAE and LSE

ES1283



Tubular Latch Set c/w strike plate to suit 2.5" and 3" backset

Material	Initial Expanding Deg -C	Main Body Expanding Deg -C	Free Expansion Rate	Density
Intercalated graphite 0.8mm sheet	> -180°C	550°C	Multi Directional X 40 Volume	1.2g/cm ³

One pack suitable for both FD30 and FD60 applications, unless otherwise stated. Successfully included within BS EN 1634-1:2014.



- INT1102**

100 x 36mm intumescent hinge, 4 pack
- INT1433**

100 x 30mm intumescent hinge liner, 4 pack
- INT1433/300B/R**

100 x 30mm intumescent radius hinge liner, 300 bulk pack
- INT1433/300B/S**

100 x 30mm intumescent hinge liner, 300 bulk pack
- INT1443**

100 x 40mm intumescent hinge liner, 4 pack
Only suitable for FD60
- ES1130**

Concealed hinge fire pack S/A. Suits CI001130. FD30 only
- ES1131**

Concealed hinge fire pack S/A. Suits CI001131
- ES1230**

Concealed hinge fire pack S/A. Suits CI001230. FD30 only

Material	Initial Expanding Deg -C	Main Body Expanding Deg -C	Free Expansion Rate	Density
Intercalated graphite 0.8mm sheet	> -180°C	550°C	Multi Directional X 40 Volume	1.2g/cm ³

One pack suitable for both FD30 and FD60 applications, unless otherwise stated.
Successfully included within BS EN 1634-1:2014.



INT2024



Intumescent pack to suit DCC2024CF (FD30)

INT2024/60



Intumescent pack to suit DCC2024 (FD60)

INT2500



Intumescent pack for double action floor spring. Suits DCFS150

INT1008



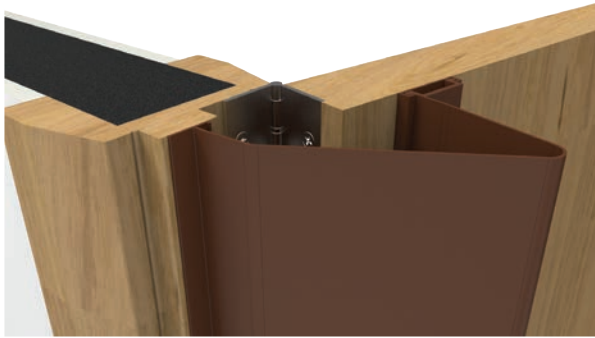
Intumescent pack for lever action flush bolt. Suits FBT1008

Material	Initial Expanding Deg -C	Main Body Expanding Deg -C	Free Expansion Rate	Density
Intercalated graphite 0.8mm sheet	> -180°C	550°C	Multi Directional X 40 Volume	1.2g/cm ³

One pack suitable for both FD30 and FD60 applications, unless otherwise stated.
Successfully included within BS EN 1634-1:2014.



Little Fingers Slimline Finger Protector



ES800
Opening side 120° white

ES801
Hinge knuckle side 105° white

ES802
Opening side 120° brown

ES803
Hinge knuckle side 105° brown



- Slimline design - once fitted it is hardly noticeable, only projects 30mm from door face
- Opens up to 180°
- 1.95 metre lengths
- Easy to install, no specialist tools or equipment required. Fixing screws provided
- Supplied with high performance self-adhesive tape to aid easy fitting
- Easy to clean and requires no maintenance
- Suitable for areas of heavy pedestrian traffic
- Improves acoustic and draft proofing performance
- Easily cut to length for shorter doors



Little Fingers Slimline Heavy Duty Finger Protector



ES805
Opening side 180° white

ES806
Hinge knuckle side 105° white

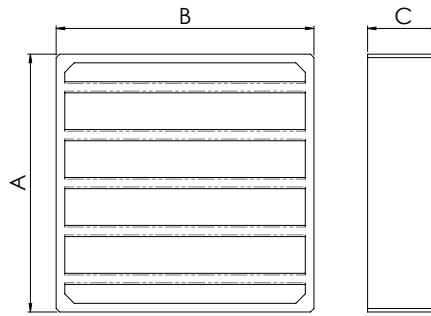
ES807
Opening side 180° brown

ES808
Hinge knuckle side 105° brown



- Easy to install, no specialist tools or equipment required
- Low maintenance
- Suitable for butt-hinged or pivot doors
- 1.95 metre lengths
- Opens up to 180°
- Left or right handed opening doors
- Front and rear types





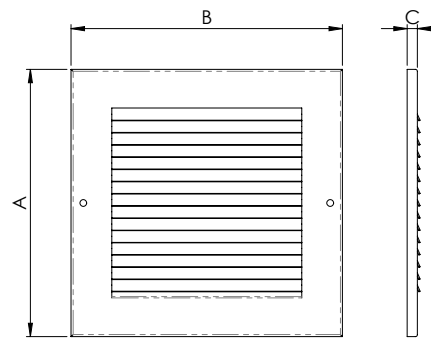
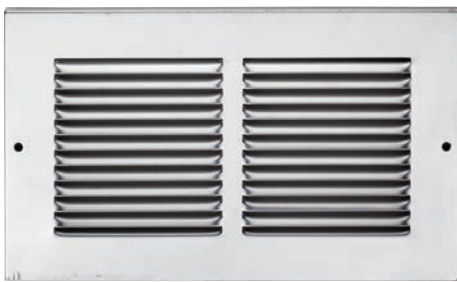
ES400
ES401
ES402
ES403
ES404
 Air Transfer Vent



	A	B	C
ES400	150	150	42
ES401	150	300	42
ES402	300	300	42
ES403	112	225	42



Face Plate Cover for Air Transfer Vent



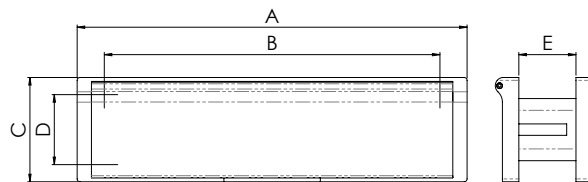
ES420
 To match ES400
ES421
 To match ES401
ES422
 To match ES402
ES423
 To match ES403
ES424
 To match ES404



	A	B	C
ES420	197	200	7.5
ES421	160	270	7.5
ES422	197	346	7.5
ES423	270	270	7.5



Intumescent Letterbox



ES300
ES304
ES301
ES305
ES302
ES306
ES303
ES307
ES308
ES309



	A	B	C	D	E
ES300	56	272	238	40-80	70
ES301	56	272	238	40-80	70
ES302	56	272	238	40-80	70
ES303	56	272	238	40-80	70
ES304	56	305	274	40-80	70
ES305	56	305	274	40-80	70
ES306	56	305	274	40-80	70
ES307	56	305	274	40-80	70
ES308	56	272	238	40-80	70
ES309	56	305	274	40-80	70



METALS AND FINISHES

Keeping any metal clean is all important.

Dust, which is usually chemical active, and moisture, which is often acid, are principal natural hazards.

Simple but regular cleaning is more successful than severe sporadic treatment.

Black Antique

Using a soft cloth, apply a light oil to the entire surface and buff to dry.

Pewter

Occasional light wash with soapy water, dry thoroughly and buff lightly to remove any water marks.

Brass (Not Lacquered)

Brass is an alloy of copper and zinc, with copper being the main constituent. Copper reacts to the atmosphere by producing a natural oxidation (patina) of its surface which when completely covered, resists further attack from the atmosphere. Patina is often a dark green colour, however, can also display different shades. Occasional light wash with soapy water, dry thoroughly - this will still allow the natural patina to remain.

If you prefer a fresh brass look, occasional use of Brasso.

Lacquered Finishes

Regular dusting is required. Occasional light wash with soapy water, dry thoroughly and buff lightly to remove any water marks.

Plated Finishes

Regular dusting is required. Occasional light wash with soapy water, dry thoroughly and buff lightly to remove any water marks.

Stainless Steel

Regular dusting is required. Occasional light wash with soapy water, dry thoroughly and buff lightly.

When fitted externally, use GT85 PTFE (or similar) spray on a soft cloth to clean any dirt/contaminants, or discolouration.

Pvd

Regular dusting is required. Occasional light wash with soapy water, dry thoroughly and buff lightly to remove any water marks.

DOOR HARDWARE

All items of door hardware will require regular cleaning for aesthetics, however, the following should be carried out to maintain the correct mechanical operation of the product(s).

Hinges, Locks & Latches, Door Closers and Exit Hardware


After 20,000 operations, lubricate using GT85 PTFE solution or similar.

Repeat after each additional 20,000 operations.

Ensure all fixings are secure, the product is free from obstruction and check for correct operation.

CEAM Concealed Hinges

Lubricate the hinges, using a dry PTFE spray when required (once every two years as a minimum). Check all fixings and adjust as necessary.

 AB	AB - Antique Brass	 CPSC	CPSC - Polished Chrome/Satin Chrome
 ABB	ABB - Antique Burnished Brass	 CPSN	CPSN - Polished Chrome/Satin Nickel
 ABIC	ABIC - Antique Brass/Ivory Crackle Glaze	 CTB	CTB - Clear Translucent Brass
 ABS	ABS - Blue Nylon	 CTC	CTC - Clear Translucent Chrome
 ACC	ACC - Acrylic Clear Chrome	 DB	DB - Dark Bronze
 ARG	ARG - Silver	 EB	EB - Electro Brassed
 AS	AS - Antique Steel	 EBP	EBP - Electro Brass Plated
 AS MC	ASMC - Antique Steel/Midnight Blue Crackle Glaze	 EXB	EXB - Extruded Black
 BA	BA - Black Antique	 FB	FB - Florentine Bronze
 BEP	BEP - Black Electro Plated	 FB IC	FBIC - Florentine Bronze/Ivory Crackle Glaze
 BLACK	BLACK - Black	 GAA	GAA - Gold Anodised Aluminium
 BL	BL - Black	 GALV	GALV - Galvanised
 BLK	BLK - Black	 GM	GM - Gun Metal
 BLK WHT	BLK/WHT - Black & White	 GN	GN - Green
 BN	BN - Black Nickel	 GOLD	GOLD - Gold
 BNP	BNP - Black Nickel Plated	 IC	IC - Ivory Crackle Glaze
 BR	BR - Bronze	 IC FB	ICFB - Ivory Crackle Glaze/ Florentine Bronze
 BRO	BRO - Bronze Plated	 JAP	JAP - Black Japaned
 BROWN	BROWN - Brown	 MBRZ	MBRZ - Matt Bronze
 BRS	BRS - Antique Satin Bronze	 MC	MC - Midnight Crackle
 BSS	BSS - Bright Stainless Steel	 MC CP	MCCP - Midnight Blue Crackle/ Polished Chrome
 BSS/ SSS	BSS/SSS Bright Stainless Steel/ Satin Stainless Steel	 MSC	MSC - Matt Satin Chrome
 BW	BW - Beeswax	 MSN	MSN - Matt Satin Nickel
 BZP	BZP - Bright Zinc Plated	 NB	NB - Black Nickel
 COP	COP - Copper	 NIK	NIK00 - Nickel Plated
 COP/ WHT	COP/WHT - Copper & White	 NNE	NNE - Matt Nickel
 CP/ BLK	CP/BLK - Polished Chrome & Black	 NP	NP - Nickel Plated
 CP	CP - Polished Chrome	 OTT	OTT00 - Brass Plated
 CP/ MSC	CP/MSC - Polished Chrome/Matt Satin Chrome		

	PAA - Polished Anodised Aluminium		SNP - Satin Nickel Plated
	PB - Polished Brass		SNSS - Satin Nickel/Stainless Steel
	PC - Polished Chrome		SS - Stainless Steel
	PCB - Powder Coat Black		SSCP - Stainless Steel/Polished Chrome
	PCO - Polished Copper		SSE - Stainless Steel Effect
	PC/SC - Polished Chrome/Satin Chrome		SSS - Satin Stainless Steel
	PCW - Porcelain White		SSSC - Satin Stainless Steel/ Satin Chrome
	PE - Pewter		SV - Silver
	PLW - Plain White/Polished Brass		SZP - Satin Zinc Plate
	PLWCP - Plain White/Polished Chrome		VCH00 - Stainless Steel Plated
	PN - Polished Nickel		VNO - Matt Black
	PNP - Polished Nickel Plated		W - White
	PNSN - Polished Nickel/Satin Nickel		WOSC - Wood Oak/Satin Chrome
	POL/LAC - Polished/Lacquered		ZP - Zinc Plate
	PS - Polished Stainless		
	PT - Pewter		
	PVD - Stainless Brass		
	PVD BLACK - PVD Black		
	PWCP - White Porcelain/Polished Chrome		
	PWH - White Porcelain		
	PWSC - White Porcelain/Satin Chrome		
	SAA - Satin Anodised Aluminium		
	SB - Satin Brass		
	SBPB - Satin Brass/Polished Brass		
	SC - Satin Chrome		
	SC/BLK - Satin Chrome/Black		
	SCCP - Satin Chrome/Polished Chrome		
	SCO - Satin Copper		
	SCOL - Self Colour		
	SG - Silver Grey		
	SN - Satin Nickel		
	SNCP - Satin Nickel/Polished Chrome		

GUARANTEES



2 Year
Electrical



2 Year
Mechanical



5 Year
Mechanical



10 Year
Mechanical



25 Year
Mechanical



BS 8300-2:2018 Design of an accessible and inclusive built environment. Buildings - code of practice, lists many recommendations relating to door hardware, including; lever handle designs, heights and dimensions, pull handle lengths, lock case dimensions, light reflective values (LRV's) for materials and finishes, threshold heights, door opening forces and clear opening widths.



CE MARKING is certification to the highest attestation required by the Construction Products Regulation (CPR) 2011. The CE mark indicates that the product has been successfully 3rd party performance/fire tested and that the producing factory has passed stringent Factory Production Control audits, carried out by a UKAS notified certification.



UKCA UKCA (UK Conformity Assessed) marking is a new UK product marking that is used for good being placed on the market in Great Britain (England, Scotland and Wales). It applies to most goods which previously required CE marking. The technical requirements ('essential requirements') you must meet - and the conformity assessment processes and standards that can be used to demonstrate conformity - are largely the same as they were for the CE marking.



**APPROVED PRODUCT
CFXXX**

CERTIFIRE is an independent 3rd party scheme providing high quality, voluntary, product conformity for the passive fire sector. Certifire is product certification at a higher level than CE. Additional requirements are ISO:9001:2015 certification, independent audit testing and a comprehensive field of application document based on carefully chosen tests. Designed to give confidence to specifiers, enforcement authorities and building owners/occupiers, the Certifire scheme is recognised by regulatory authorities both in the UK and overseas.



BS 3621

KITEMARK is the world's premier symbol of trust, integrity and quality. Manufacturers having this associated with their product or service will reassure customers and specifiers alike that they have satisfied the most rigorous of quality processes.



**TS 007:2014
KM 585549**

TS 007:2014 is a technical schedule relating to the testing requirements, methods and specification criteria for enhanced security cylinders and protective door furniture, specifying a minimum level of security requirement to defend against the opportunistic burglar. It was introduced in 2011 following growing concerns that residential premises were under increasing threat of attack.

BS EN 1634 is the European Fire Safety Standard for determining the fire resistance of door and shutter assemblies, including door hardware:



FD30 30 minute fire doors



FD120/240 Up to 240 minutes where handles are located no higher than 1000mm from the bottom of the door to the centreline of the spindle.



FD60 60 minute fire doors

Up to 120 minutes where handles are located no higher than 1400mm from the bottom of the door to the centreline of the spindle.



FD30/60/120 30/60/120 minute fire doors



FD240 STEEL 240 minute fire doors



BS EN 179 is the British/European standard requirements and testing methods covering panic exit devices operated by a lever handle or push pad.



BS EN 1670 is the British/European standard requirements and testing methods covering corrosion resistance.



BS EN 1125 is the British/European standard requirements and testing methods covering panic exit devices operated by a horizontal bar.



BS EN 1906 is the British/European standard requirements and testing methods covering lever handles and knob furniture.



BS EN 1154 is the British/European standard requirements and testing methods covering controlled door closing devices.



BS EN 1935 is the British/European standard requirements and testing methods covering single axis hinges.



BS EN 1155 is the British/European standard requirements and testing methods covering electronically powered hold open devices.



BS EN 12209 is the British/European standard requirements and testing methods covering locks, latches and locking plates.



BS EN 1303 is the British/European standard requirements and testing methods covering cylinders for locks.



SECURED BY DESIGN is the UK policed flagship initiative supporting the principles of “designing out crime” prevention and security standards for a range of applications and products showing their logo have met the standards identified by this organisation. A full list of licensed products can be found on the website www.securedbydesign.com

CYLINDER FEATURES AND BENEFITS



Anti-Drill



Break-Off System



Anti-Plug Pull



Anti-Pick



Anti-Bump

CYLINDER SECURITY LEVELS



Maximum Security



High Security



Standard Security

SPECIAL ORDER



Special order products are available by request only, a lead time is generally associated with these products, please contact customer services for more details, 01228 511030

INTUMESCENT FEATURES AND BENEFITS



Acoustically Tested



Smokeproof

ALUMINIUM FURNITURE	113, 256 - 364	DOOR KNOCKERS	116 - 117
BALL CATCH	173	DOOR STOPS	106, 137, 247, 248, 259, 263, 282
BARREL BOLTS	249	DOOR STUDS	99, 186
BATHROOM BOLTS	138, 259	DOOR VIEWER	117, 252
BATHROOM LOCKS	134, 314, 317, 320 , 331	EASI-KEEP LATCH	139
BELL PUSHES	98, 119, 252,	EASY CLEAN SOCKET	138
BLACK ANTIQUE FURNITURE	93 - 107, 113, 134, 147, 159, 168	EJMA PINS	122
CABIN HOOKS	105, 135, 249	ESCUTCHEONS - OTHER	72, 133
CABLE TIDY	174	ESCUTCHEONS - ROUND	7, 18, 21, 32, 33, 48, 55, 72, 73, 96, 119, 133, 191, 192, 200, 201, 213, 256, 262
CASEMENT FASTENERS	100, 101, 102, 123, 124, 130,	ESCUTCHEONS - SQUARE	16, 18, 33, 97, 133, 205
CASEMENT PINS	122	ESPAGNOLETTE BOLTS	139,
CASEMENTS STAYS	122, 125	ESPAGNOLETTE FASTENERS	101, 130
CENTRE DOOR KNOBS	95, 114, 115, 116, 253	ESPAGNOLETTE HANDLES	124
COMBINATION KEY SAFE	339	EXTERNAL DOOR FURNITURE	99 - 100, 110 - 119, 216, 241, 242, 252, 253, 254, 392
CONCEALED DOOR CLOSER	291	FAN LIGHT CATCH	129
CRYSTAL MORTICE KNOBS	67	FINGER PLATES	80, 81, 238, 239, 258
CUP HANDLES	144 - 145	FIRE BRIGADE LOCK	339
CUPBOARD HINGES	174 - 175	FIXING PLATE	312 - 314
CUPBOARD KNOBS	90, 156 - 159	FLUSH BOLT SOCKETS	137,
CUPBOARD PULLS	144-147	FLUSH BOLTS	137, 140, 248,
CYLINDER - 1 STAR MPX6	351 - 353	FLUSH PULLS	10, 11, 134, 145, 146, 243, 244, 259
CYLINDER - CONTRACT	365	FLUSH RING PULLS	141
CYLINDER -MP10 10 PIN	348 - 350	GATE LATCHES	107
CYLINDER - MP15 15 PIN	345 - 347	GLASS SHELVES	180, 182,
CYLINDER - MP5 5 PIN	355 - 363	HANDRAIL BRACKETS	136
CYLINDER - RIM	347, 353, 363, 367, 368	HANDRAIL SADDLE	247
CYLINDER ACCESSORIES	366, 368	HAT AND COAT HOOKS	104, 135, 136, 245, 246, 260, 263
CYLINDER PULLS	98, 118, 243, 259, 261, 321	HINGE ADJUSTABLE	174, 284, 285
DEAD BOLTS	326	HINGE FRONTS	106 - 107
BATHROOM FITTINGS	179 - 185	HINGES BALL BEARING	272, 273, 275,282
DIGITAL DOOR LOCKS	340	HINGES BUTT HINGE	84, 85, 87, 281
DISABLED TOILET HANDLE	262	HINGES COMMERCIAL	270 - 282
DOCTORS KNOCKER	116	HINGES CONCEALED	174, 270, 284, 285
DOOR BOLTS	105, 138, 249, 283, 335	HINGES INTUMESCENT LINERS	389
DOOR CHAINS	98, 117	HINGES LIFT OFF	278
DOOR CLOSER ACCESSORIES	303	HINGES LOOSE PIN	86
DOOR CLOSERS	301 - 302	HINGES PIANO	87
ELECTROMAGNETIC		HINGES RESIDENTIAL	84 - 87
DOOR CLOSERS	304	INDICATOR BOLTS	138, 259
FLOOR SPRING			
DOOR CLOSER SURFACE	298		
MOUNTED CAM ACTION			
DOOR CLOSERS	293 - 299		
SURFACE MOUNTED			
RACK AND PINION			

INTUMESCENT	387 - 390	RIM DEADLOCK	334
KICKPLATES	239	RIM KNOB FURNITURE	71, 95
KNOB FURNITURE	67 - 71, 94 - 95, 205, 212, 253	ROBE HOOKS	106, 135, 179, 183, 185
LETTER PLATES	97, 113, 254	ROLLER ARM STAY	125
LETTER TIDIES	98, 113	ROLLER CATCH	334
LETTERS	242	ROSE PACK	201, 233, 234, 257, 261
LEVERS ON BACKPLATE	8, 23, 24, 35, 36, 43, 44, 50, 51, 57 -63, 216, 219, 220, 222	SASH FASTENERS	127, 128
LEVERS ON ROUND ROSE	6, 18, 20, 27 - 32, 39, 40, 47, 48, 54, 55, 191, 196 - 200, 207, 211, 212	SASH HANDLES	127
LEVERS ON SQUARE ROSE	16, 17, 29, 204, 205	SASH LIFTS	126, 127
LOCKING CASEMENT STAY PIN	122	SASH PULLEYS	128, 129
LOCKS ACCESSORIES	309 -324, 340	SASH STOP	128
LOCKS ARCHITECTURAL	318 - 322	SECURITY DOOR BOLTS	138, 335
LOCKS ARCHITECTURAL DIN	312 - 314	SECURITY HINGE	273
LOCKS BRITISH STANDARD	309 - 311	SECURITY HINGE BOLT SET	283
LOCKS CONTRACT	330 - 333	SEROZZETTA	25 - 51
LOCKS CONTRACT DIN	315 - 317	SLIDING DOOR FURNITURE	9, 10, 11
LOCKS DIN	312 - 317	SOAP TRAYS	179, 182
LOCKS UNIVERSAL	323, 242	SPARES	99, 100, 186, 340
REPLACEMENT		STAINLESS STEEL	196 - 200, 228 - 333, 246 - 249, 253 254
LUDLOW BLACK ANTIQUE	93, 107, 159, 168	SUFFOLK LATCHES	107
MAGNETIC CATCH	173	SURFACE BOLTS	140
MORTICE KNOB FURNITURE	67 - 71, 94 - 95, 205, 253	SYMBOLS AND SIGNAGE	394 - 397
NARROW PLATES LEVERS	93, 110 - 112	TAYLOR SPINDLES	186
NIGHTLATCHES	313, 316, 321, 336, 338	TEE HINGE	107
NUMERALS	99, 241, 242	THUMB LATCH SET	104
OUTDOOR SECURITY	369 -375	THUMBTURN	7, 16, 21, 33, 40, 48, 55, 73, 191, 201, 205, 208, 213, 257, 262
PADLOCKS	370 - 375	TOILET BRUSH HOLDER	180
PANIC HARDWARE	377 - 383	TOWEL RAILS	179, 182, 185
PAPER HOLDERS	179, 182, 185	TOWEL RINGS	180, 182
PIANO HINGES	87	TUBULAR LATCHES	324, 325, 327, 328, 329
PIVOT SET	283	TURN AND RELEASES	7, 10, 16, 18, 21, 33, 40, 48, 55, 72, 73, 191, 192, 201, 205, 208, 213, 257, 262
PORCELAIN FURNITURE	54, 67, 68, 159	UPRIGHT LATCH	329, 332
POSTAL KNOCKER	113	VENTILATORS	141
PULL HANDLES	21, 77, 78, 102, 103, 163, 226, 228, 231, 332, 334, 249, 256, 261	WASHERED HINGES	280
PVD	29, 32, 33, 59, 62, 72, 111, 114, 115, 116, 118, 119, 134, 271, 276, 279, 309 - 311, 313, 314, 319 - 321, 354	WINDOW FITTINGS	120 - 130
QUADRANT ARM STAY	125		

AA0	7	AA77	117	AQ1NP92	112
AA1	7	AA77	252	AQ2	6
AA12	7	AA79	137	AQ25	136
AA122	137	AA80	140	AQ3	6
AA12L	7	AA81	140	AQ30	119
AA133	134	AA810	140	AQ31	119
AA133BA	105	AA812	140	AQ39	128
AA145	55,73	AA813	137	AQ40	118
AA2	7	AA818	140	AQ41	72,119
AA20	137	AA824	140	AQ42	126
AA21	136	AA84	136	AQ43	126
AA22	137	AA85	136	AQ45	133
AA25	135	AA86	136	AQ46	138
AA26	135	AA90	77	AQ47	138
AA27	135	AA91	77	AQ5	6
AA3	7	AA92	77	AQ50	127
AA31	119	AA95	78	AQ81	140
AA32	134	AA96	127	AQ82	140
AA33	134	AA97	127	AQ82EX	140
AA33BA	105	AC020	67	AQ83	140
AA34	138	AC050	71	AQ84	140
AA345	55,73	ADR011 - 13	90	AQ90	134
AA35	138	ADR021 - 23	90	AQ90	146
AA36	77	ADR501B	90,149	AQ91	128
AA38	135	ADR502C	90,163	AQ92	128
AA39	127	AEB1750	354	AQ93	129
AA4	133	AGS5000	340	AQ96	128
AA40	127	AGW1000	186	ARB5105	309
AA40LCK	127	AHB1000G316	283	ARB5110	309
AA41	126	AHB1000ZP	186	ARB5205	309
AA42	129	AKE5200	340	ARB5305	310,311
AA42R	126	AKE5300/L	340	ARB5405	310,311
AA42R1	126	AKE5300/R	340	ARD5205	318,319
AA45	305	AKS5000B	340	ARDS5005	312,313,314
AA45R	305	AKS5000B/RIM	340	ARE5005	330,331,332,333
AA46	139	AKSFB2	339	ARF8105	322
AA52	113	AKU5000S	340	ARM5105	321
AA53	113	ALB1001	186	ARS5105	318,320,329
AA54	113	ALP5038	192	ARS5110	320
AA55	113	ALP5038	312,313,314	ART5105	324,325,327
AA55BA	98	ALS1002H	186,202	ART54A	10
AA56	113	ALS5100	186	ART54AQ	10
AA61	135	AMK5000	340	ART55B	11
AA61	135	AMK5001	340	ART55BCP	11
AA62	135	AMK5002	340	ART55BQ	10,11
AA62	135	AMK5003	340	ART55B	11
AA63	135	AMK5004	340	ART56	11
AA63	135	APB1000	340	ART56Q	11
AA64	135	APB1001	340	ASH5000	186,340
AA64	135	APB1002	340	ASS1019	186
AA65	135	AQ1	6	ASS5100	192,312,313,314
AA65	135	AQ11	7	AT004	16
AA73	125	AQ12	7	ATS1000	186
AA75	117	AQ133	73	AWR1200WHT	129
AA76	117	AQ1NP	112	AZ21	136

Index

B12	55,73	CEB001	18	CSL1194	212
BAE5025	331	CEB001Q	18	CSL1194/6	207
BAE5025/R	331	CEB003	18	CSL1220	211
BAE5030	331	CEB003Q	18	CSLP1162B	219
BAE5030/R	331	CEB004	19	CSLP1162E	219
BAS5025	320	CEB004Q	18	CSLP1162P	219
BAS5030	320	CEB010Q	17	CSLP1162T	219
BAS5030/R	320	CEB020Q	17	CSLP1163B	220
BB3204	140	CEB050Q	17	CSLP1163EDUO	220
BB3206	140	CEB060Q	17	CSLP1163P	220
BB3208	140	CEB110	17	CSLP1163T	220
BB3806	140	CEB120	18	CSLP1164B	219
BB3808	140	CEB130	18	CSLP1164E	219
BBF1019	235	CEB40Q	16	CSLP1164P	219
BBF1019SS/SQ	235	CEN1433/13	271	CSLP1164T	219
BBF1022	235	CEN1433/13/R	271	CSLP1167B	220
BBF1025	235	CFD1150 - 1600	234	CSLP1167E	220
BBF1030/2	235	CH30A	155	CSLP1167P	220
BBT1080	249	CH6	156	CSLP1167T	220
BBT1080CR	249	CI000929	174	CSLP1190	222
BBT1100	249	CI001129	284	CSLP1191	222
BBT1100CR	249	CI001130	284	CSP1005	213
BBT1150	249	CI001131	285	CSP1006	208
BBT1150CR	249	CI001230	285	CSR1005	234
BBT1200	249	CIOFRESA00000	287	CST1015	213
BBT1200CR	249	CIOODIMA01129	287	CST1018	208
BR35	138	CIOODIMA01131	287	CST1025	213
BTL1/R	328	CIOODIMA01230	287	CST1028	208
BTL1/SQ	328	CL155SGVCB	340	CSU1005	213
BTL2/R	328	CPD1096 - CPD1128	249	CYA70445	359
BTL2/SQ	328	CPM1096 - CPM1128	249	CYA70470	359
BTL25	328	CPRB1170	223	CYB74140	356
BTL3/R	328	CPRE1170	223	CYB74145	356
BTL3/SQ	328	CPRE1170/72	223	CYB74150	356
BTL30	328	CPRP1170	223	CYB742100	356
BTL4/R	328	CPRT1170	223	CYB742110	356
BTL4/SQ	328	CPRT1170/78	223	CYB7423050	356
C47	144	CPRTL1170	223	CYB7423545	356
CAB1100	249	CPRU1170	223	CYB7424050	356
CAB1150	249	CSB1006	208	CYB7424060	356
CAB1200	249	CSD1150 - CSD1225	234	CYB7424550	356
CB100-25	386	CSD1300 - CSD1600	234	CYB74260	356
CB110-25	386	CSE1005	213	CYB74270	356
CB115-25	386	CSE1006	208	CYB74280	356
CB120-25	386	CSK1058	212	CYB74290	356
CB125-25	386	CSL1121/6	207	CYB743100	357
CB130-25	386	CSL1127/6	207	CYB7433040	357
CB140-25	386	CSL1134	211	CYB7433050	357
CB145-25	386	CSL1160	211	CYB7433545	357
CB170-25	386	CSL1190	211	CYB7434030	357
CB175-25	386	CSL1190/6	207	CYB7434045	357
CDC85/R	304	CSL1191	211	CYB7434060	357
CDG003	299	CSL1192	212	CYB7434535	357
CDG025	294	CSL1192/6	207	CYB7434540	357
CDG420	298	CSL1193	212	CYB7435030	357

CYB74360	357	CYF74146	352	CYP71141	346
CYB7436040	357	CYF74150	352	CYP71145	346
CYB74370	357	CYF742100	352	CYP71262	346
CYB74380	357	CYF742110	352	CYP71270	346
CYB74390	357	CYF7423540	352	CYP71282	346
CYB75270	358	CYF7423545	352	CYP71362	347
CYB75370	358	CYF7423550	352	CYP71370	347
CYB76620	357	CYF7424045	352	CYP71382	347
CYB79520	357	CYF7424050	352	CYP73526	347
CYC71260	365	CYF7424060	352	CYPL1030SB/BP	371
CYC71270	365	CYF7424550	352	CYPL1040SB/BP	371
CYC71280	365	CYF74270	352	CYPL1050SB/BP	371
CYC71360	365	CYF74280	352	CYPL1051SB/BP	371
CYC71370	365	CYF74290	352	CYPL1450SB/BP	371
CYC71380	365	CYF7736040	353	CYPL2040BZP/BP	372
CYE71140	360	CYG71142	349	CYPL2050ABS/BP	372
CYE71145	360	CYG71146	349	CYPL2050BZP/BP	372
CYE712100	360	CYG71150	349	CYPL3030SSS/BP	373
CYE7123035	360	CYG71155	349	CYPL3040SSS/BP	373
CYE7123040	360	CYG742100	349	CYPL3050SSS/BP	373
CYE7123050	360	CYG7423240	349	CYPL3060SSS/BP	373
CYE7123540	360	CYG7423250	349	CYPLA65SC	375
CYE7123545	360	CYG7423540	349	CYPLB3080SS/BP	374
CYE7123550	360	CYG7423545	349	CYPLC1030SB/BP	374
CYE7124045	360	CYG7423550	349	CYPLC1050SB/BP	375
CYE7124050	360	CYG7423555	349	CYPLD3070SS/BP	373
CYE7124055	360	CYG7424045	349	CYZ70000	368
CYE7124060	360	CYG7424050	349	CYZ70001	368
CYE7124550	360	CYG7424055	349	CYZ70001/6	368
CYE7124555	360	CYG7424060	349	CYZ70002	367
CYE71260	360	CYG7424550	349	CYZ70003	367
CYE71270	360	CYG7424555	349	CYZ70004	367
CYE71280	360	CYG74264	349	CYZ70007	366
CYE71290	360	CYG74270	349	CYZ70008	366
CYE7134035	361	CYG74280	349	CYZ70009	366
CYE71360	361	CYG74290	349	CYZ70011	366
CYE71370	361	CYG743100	350	CYZ70012	367
CYE71380	361	CYG7433240	350	CYZ70016	367
CYE71390	361	CYG7433545	350	CYZ70017	367
CYE72140	361	CYG7434032	350	CYZ70040	367
CYE72145	361	CYG7434050	350	CYZ70050	367
CYE72260	362	CYG7434060	350	CYZ70060	368
CYE72270	362	CYG7434535	350	CYZ72001CDW/B	368
CYE72360	362	CYG7434550	350	CYZ72001CDW/BK	368
CYE72370	362	CYG7434555	350	CYZ72001CDW/G	368
CYE73520	363	CYG7435040	350	CYZ72001CDW/R	368
CYF713100	353	CYG7435045	350	CYZ74001	368
CYF7133545	353	CYG7435545	350	CYZ75000NS	368
CYF7134060	353	CYG7436040	350	CYZ7500DNS	368
CYF7134535	353	CYG74364	350	CYZ75060	368
CYF71370	353	CYG74370	350	CYZ75061	367
CYF71380	353	CYG74370CR	350	CYZ78001NS	368
CYF71390	353	CYG74380	350	DCC2024CF	291
CYF73524	353	CYG74380CR	350	DCC2024SM	292
CYF73624	353	CYG74390	350	DCCEM3024	301

DCEM2004	302	DLE7255EP	316	EL21 - 23	8
DCF2003	297	DLE7255EP/R	316	EL31 - 33	8
DCFS150/EN3	304	DLE7255NL	316	ES1130	284,389
DCS2024BC	295	DLE7255NL/R	316	ES1131	285,389
DCS2026BC	293	DLE7855WC	317	ES1204	387
DCT2024	296	DLE7855WC/R	317	ES1205	387
DEM100F	303	DLS0060EP	312	ES1206	387
DEM100S	303	DLS0060EP/R	312	ES1207	387
DIMECON2ART1130	287	DLS0060L	312	ES1208	387
DIMECON2ART1131	287	DLS0060L/R	312	ES1222	387
DK1	72	DLS7260EP	313	ES1223	387
DK12	72	DLS7260EP/R	313	ES1224	387
DK13	72	DLS7260ESC	314	ES1225	387
DK3	72	DLS7260ESC/R	314	ES1230	285,389
DK32WOSC	67	DLS7260NLA	313	ES1231	387
DK34	68	DLS7260NLA/R	313	ES1232	387
DK34ICFB	67	DLS7860WC/8	314	ES1233	387
DK34MCCP	67	DLS7860WC	314	ES1234	387
DK35C	68	DLS7860WC/R	314	ES1235	387
DK37C	69	DPS1008	248	ES1271	309,310,311,318,320
DK39C	68	DSB8225	335		320,323,324,329,333,388
DK4	133	DSB8225L	335	ES1272	321,322,388
DK42	129	DSF1030	247	ES1273	309,310,311,318,319
DK46C	68	DSF1031	247		332,388
DK47	149	DSF1032	247	ES1274	312,313,314,315,316
DK48C	152	DSF1430	247		317,388
DK49	152	DSF2020PB	137	ES1275	339,388
DK7	125	DSF3020CP	137	ES1276	330,331,332,333,388
DK8	125	DSF4032	259	ES1283	324,325,326,327,328
DL167 - DL168	59	DSF5020SC	137		329,388
DL180 - DL182	61	DSF9030	263	ES1400	387
DL190 - DL192	62	DSF9032	263	ES1401	387
DL20	80	DSK8000B	335	ES1403	387
DL270 - DL272	60	DSK8000L	335	ES1404	387
DL290 - DL292	62	DSW1015	248	ES1405	387
DL30 - DL31	57	DSW1016	248	ES300	392
DL340 - DL342	63	DSW1017	248	ES301	392
DL380 - DL382	61	DSW1415	248	ES302	392
DL410 - DL412	62	DSW6001	259	ES303	392
DL450 - DL452	63	DSW9015	263	ES304	392
DL47	152	EBH1	87	ES305	392
DL5025	327	EBH2	87	ES306	392
DL5030	327	EBH3	87	ES307	392
DL5040	327	ECP1000	243	ES308	392
DL5050	327	ECP9000	261	ES309	392
DL54 - DL55	57	EDB5025	310	ES34	139
DL56	54	EDB5025/CT	311	ES35	139
DL611	78	EDB5030	310	ES400	392
DL64 - DL65	58	EDB5030/CT	311	ES401	392
DL66	54	EDE5025	330	ES402	392
DLD5030	327	EDE5030	330	ES403	392
DLE0055EP	315	EDS5025	319	ES404	392
DLE0055EP/R	315	EDS5030	319	ES420	392
DLE0055L	315	EDS5030/R	319	ES421	392
DLE0055L/R	315	EL11 - 13	9	ES422	392

ES423	392	FG1Y	61	FSF5010	326
ES424	392	FG2	61	FSF5010/R	326
ES800	391	FG26L	60	FSF5012	309
ES801	391	FG27	60	FSF5012/R	309
ES802	391	FG27WC	60	FSF5013	309
ES803	391	FG2WC	61	FSF5013/R	309
ES805	391	FG3	55	FSF5015	312
ES806	391	FG4	71	FSF5015/R	312
ES807	391	FH5	16	FSF5016	312
ES808	391	FIX4000	186	FSF5016/R	312
ESB5025	310	FIX4019	257	FSF5017	313,314
ESB5025/CT	311	FIX9005	261	FSF5017/R	313,314
ESB5030	310	FIX9113	186	FSF5019	311
ESB5030/CT	311	FIXCSL	186	FSF5019/R	311
ESE4005	256	FIXSSL	186	FSF5020	311
ESE5025	330	FLD8025	321	FSF5020/R	311
ESE5030	330	FLD8030	321	FSF5029	310
ESE9005	262	FLL5025	322	FSF5029/R	310
ESK008/SV	339	FLL5030	322	FSF5030	310
ESP9005	262	FLL5030/R	322	FSF5030/R	310
ESS5025	320	FLL8025	322	FSF5031	313
ESS5030	320	FLL8030	322	FSF5031/R	313
EST4005	257	FLL8030SCP/R	322	FSF5032	314
EST9005	262	FPA1301	240	FSF5032/R	314
EST9025	262	FPA1302	240	FTD1044	147
EST9625	262	FPH1000	145,243	FTD1068B	168
ESU9005	262	FPH1001	146,242	FTD1078B	159
EUL001	21	FPH1002	146,242	FTD1230B	159
EUL002	21	FPH1003	146,242	FTD1240	168
EUL004	21	FPH1004	146,242	FTD1265	158
EUL010	20	FPH1180	242	FTD1270A	153
EUL011 - 13	23	FPH4100	259	FTD1275A	153
EUL020	20	FPP1300	238	FTD2010	171
EUL021 - 23	23	FPP1301	238	FTD2035	171
EUL030	20	FPP1302	239	FTD2040	170
EUL031 - 33	23	FPP1350	238	FTD2080	168
EUL040	20	FPP1351	238	FTD2095A	154
EUL041 - 43	23	FPP1352	239	FTD2095E	168
EUL050	20	FPP1500	238	FTD230	172
EUL051 - 53	24	FPP1650	238	FTD235A	158
EUP004	21	FPP43002	258	FTD2500	166
EUP050	21	FPP43500	258	FTD2525	156
FBT1008/R	248	FPP43502	258	FTD2550	165
FDP104B	386	FPP45000	258	FTD255A	157
FDP104W	386	FPP46500	258	FTD270A	171
FDP154B	386	FRP50	141	FTD272B	170
FDP154W	386	FRP63	141	FTD273	165
FDPS104B	386	FSF5004	318,320	FTD280B	170
FDPS104W	386	FSF5004/R	318,320	FTD3015	145
FDPS154B	386	FSF5007	318,319	FTD3065	169
FDPS154W	386	FSF5007/R	318,319	FTD3150	168
FG1	61	FSF5008	322	FTD3160	169
FG10	81	FSF5008/R	322	FTD3165B	165
FG1S	61	FSF5009	325	FTD3165C	165
FG1WC	61	FSF5009/R	325	FTD3170	170

FTD343	171	FTD685	165	HDPBW10	85
FTD3440	172	FTD690	153	HDPBW21	85
FTD345B	155	FTD700	162	HDPBW4	85
FTD346	155	FTD701	149	HDPBW61	85
FTD3550B	166	FTD702	149	HDPBW8	85
FTD3565	154	FTD720	149	HDSSW2	84
FTD3570	157	FTD770	152	HDSSW5	84
FTD377	155	FTD790	152	HDSW1	84
FTD380	171	FTD800	174	HDSW2	84
FTD401	162	FTD805D	174	HDSW20	84
FTD402	163	FTD810	174	HDSW3	84
FTD4020A	157	FTD815	173	HIN1322	282
FTD4025	157	FTD835	173	HIN1322/7	279
FTD402	163	FTD840	173	HIN13225/11	278
FTD403	162	FTD850	173	HIN13225/11R	278
FTD4030	154	FTD855	174	HIN1322CP	282
FTD403	162	FTD922D	167	HIN1322SNP	282
FTD4045A	156	FTD923C	164	HIN14252/11	277
FTD410	169	FTD925	164	HIN14322/11	277
FTD4215	163	FTD927	163	HIN14325/13	275
FTD4220	170	FTD929	154	HIN14325/13/R	275
FTD4225	167	FTD935	145,164	HIN1433/13	271
FTD425	156	GI5	6	HIN1433/R	271
FTD429A	157	H2N1103/13	274	HIN1433HT/13	273
FTD430	156	H2N1121/14	270	HIN1433HT/13/R	273
FTD444	169	H2N1121/14/R	270	HIN1433P/13	272
FTD445	162	H2N1424	276	HIN1433P/13/3P	272
FTD450	172	H2N1435	276	HIN1433SEC/13	273
FTD460	169	H2N1446	276	HIN1433SEC/R	273
FTD470	167	H2N1900	283	HIN2424	280
FTD4750	166	H2N1900/R	283	HIN3424	280
FTD480	167	H2N1950	282	HINFP1	86,106
FTD485	164	H3N1101/11/R/LEF	278	HINFP4	86,106
FTD495	164	H3N1101/11/R/RIG	278	HINLP1	86
FTD505	172	H3N1105/11/R/LEF	279	HINLP4	86
FTD515	158	H3N1105/11/R/RIG	279	HIP1332	281
FTD520	173	H3N1207/14	270	HIW13215	280
FTD521	153	H3N1207/14/R	270	HL4	141
FTD523	154	H4.100.35.10	175	HL5	141
FTD524	155	H4.100.35.20	175	HL6	141
FTD525B	158	H4.100.35.30	175	HM4	141
FTD529	163	H4.170.35.10	175	HM5	141
FTD535A	158	HBS1038	247	HRB1000/P62	246
FTD5515	144	HBS1050	247	HRB1000/P85	246
FTD5520	145	HCH1010	243	HSD3	85
FTD555	145	HCH1011	243	HSD4	85
FTD557	144	HCH1012	243	INT1008	248,390
FTD558	144	HCH1013	243	INT1102	274,276,278,389
FTD559	144	HCH1014	243	INT1433	270,271,272,273,274 275,276,277,389
FTD585	159	HCH1015	246	INT1433/300B/R	389
FTD600R	151	HCH1016	246	INT1433/300B/S	389
FTD605R	167	HCH1017	246	INT1443	271,272,389
FTD620	159	HCH1018	246	INT2024	291,390
FTD630A	159	HCH9012	263	INT2024/60	291,390
FTD670	153	HCH9013	263		

INT2500	304,390	LF5536	98	LX21	179
IPB100	376	LF5537	101	LX22	179
IPB150	376	LF5538	97	LX25	180
IPB200	376	LF5539	96	M1000	72
ISH076	376	LF5539U	95	M1001	69
ISH076BZP/BP	376	LF5540	101	M1001R	71
ISH114	376	LF5541	102	M1002	81
ISH114BZP/BP	376	LF5542	102	M1003 - M1005	151
ISH150	376	LF5543	98	M140NP92	112
ISH150BZP/BP	376	LF5544	100	M140NP	112
KPP1590 - KPP1915	239	LF5545	100	M219	115
LCP1000	321	LF5546	96	M220	116
LDB5525	309	LF5547	107	M30 - M31	58
LDB5530	309	LF5548	107	M32	54
LDE5325	332	LF55490 - LF55498	99	M34	69
LDE5330	332	LF5550	95	M35	70
LDS5325	318	LF5563	105	M35C	70
LDS5330	318	LF5574	103	M35RS	71
LDS5525	318	LF5575	103	M35US	70
LDS5530	318	LF5590	100	M36	114
LET10100A	241	LF5591	99	M37	116
LET1050A	241	LF5592	99	M38B -M38S	117
LET1090A	242	LF5594	94	M39	80
LET1090B	242	LF5594R	95	M39F	81
LET1090C	242	LF5595	95	M40	118
LF1006LH - LF1006RH	101	LF56NP92	93	M41	133
LF34LH - LF34RH	101	LFB2	339	M42	133
LF5101	102	LIP9001	264	M43	116
LF5103	102	LRS4000	256	M44	122
LF5113 - LF5115	94	LRS4001	256	M45	116
LF5116 - LF5118	94	LRS9000	261	M47	150
LF5121 - LF5123	107	LRS9001	261	M48	69
LF5130	106	LSB5525	309	M51	115
LF5260LH - LF5260RH	103	LSB5530	309	M60	115
LF5266	103	LSE5225/REB	333	M61	115
LF5501 - LF5503	93	LSE5325	333	M67 - M68	59
LF5504 - LF5506	93	LSE5325/R	333	M73	124
LF5507 - LF5509	94	LSE5330	333	M78	113
LF55101	104	LSE5330/R	333	M86NP	110
LF55102	99	LSS5325	318	MCN5025	321
LF55103	100	LSS5330	318	MCN5030	321
LF5515	107	LSS5525	318	MK001	70
LF5516 - LF5518	93	LSS5530	318	N0 - N8	118
LF5519	106	LW02	183	NA - ND	118
LF5524	97	LW05	182	NPH1 - NPH3	87
LF5525	97	LW07	182	NUM10100 - NUM10108	241
LF5526	104	LW17	182	NUM10170 - NUM10178	242
LF5527	106	LW21	182	NUM10500 - NUM10508	241
LF5528	105	LW24	182	OCP1000	243
LF5530A	104	LX03	179	P4.100.35.00	175
LF5531	97	LX05	180	P4.100.35.02	175
LF5532	96	LX07	179	P4.100.35.A00	175
LF5533	96	LX12	179	PAC1225 - PAC1600	226
LF5534	98	LX13	179	PAD1150 - PAD4150	226
LF5535	104	LX14	180	PAD4150 - PAD4300	256

PAD9150 - PAD9300	261	RSL5030	319	SWL1132 - SWL1160	198
PAM1300	227	SAA21 - SAA22	260	SWL1161 - SWL1190	199
PAT1225 - PAT1300	227	SAA28	260	SWL1191 - SWL1196	200
PBC1300	226	SAA60 - SAA61	260	SWLP123	216
PBD1300	226	SAAIND	259	SWOB	216
PBT1300	227	SBD5010SCP	326	SWOE	216
PCC1450 - PCC1600	226	SBF1016 - SBF1030	234	SWOE/72	216
PCD11800	226	SCH14325/13	275	SWOP	216
PCD1450 - PCD1600	226	SCP10	186	SWOT-I	216
PCG1350SSS-B-B	228	SCP8	186	SWOT-I/78	216
PCM1450	227	SDG4001	117	SWP1134/300 - 600	232
PCP1000	243	SEX1011 - SEX1022	240	SWP1160/300 - 600	232
PCT1450 - 11800	227	SEX4011 - SEX4018	257	SWP1169/300 - 450	231
PCTS1350	228	SL1 - SL2	113	SWP18/300 - 600	228
PF100R	78	SP104	134,186	SWR1137	201,233
PF102	79	SP18	186	SWT1016	201
PF103ER	78	SP25	186	SWT1025DUO	201
PF105E	79	SP44	186	SWT1025-I	201
PF106	79	SP45	186	SWT4105-I	191
PF107	80	SP47	186	SWT4107-I	192
PF108	77	SP4M	186	SZ500	29
PF109AR	79	SP6T	186	SZ5005	33
PF109L	79	SP7L140S	186	SZC001	40
PF110	80	SP7M	186	SZC003	40
PFD1225 - PFD1300	226	SPB10	186	SZC004	40
PFD9150 - PDF9450	261	SPB8	186	SZC010	39
PFT1225 - PFT1300	227	SPGS	186	SZC011 - 13	43
PH160B	33	SPS	186	SZC020	39
PL4	141	SS6	186	SZC021 - 23	43
PLB9001	264	SSE1405MB	205	SZC030	39
PLE9001	264	SSK1062	205	SZC031 - 33	43
PLP9001	264	SSL1401 - SSL1405	204	SZC040	39
PLT9001	264	SSL1406	205	SZC041 - 43	43
PLU9001	264	SSM1415 - SSM1460	231	SZC050	39
PLW	54	SSP1405SSS/DUO	205	SZC051 - 53	44
PLWCP	54	SSR1405SSS/DUO	233	SZC340	40
QE001	16	SST1415	205	SZM000	32
QE003	16	SW4102	191	SZM001	32
RBH1433	281	SW4123	191	SZM001SQ	33
RCA5511	334	SW4123X/SSS/G304	191	SZM003	32
RCB8260	336	SW4125	191	SZM003SQ	33
RCB8260L	336	SWE1000	252	SZM004	33
RCN8160	337	SWE1010	252	SZM014	27
RCN8240	336	SWE1011	252	SZM025	27
RCN8240L	336	SWE1020	253	SZM026	27
RCN8260	337	SWE1030	252	SZM034	35
RCN8260L	337	SWE1036D	254	SZM034Y	35
RCN8340	338	SWE1040	253	SZM035	35
RCN8360	338	SWE1050	254	SZM036	35
RCP1000	243	SWKNR1058	201	SZM044	35
RCP4000	259	SWL1006 - SWL1010	196	SZM044YCP	35
RDE8043	334	SWL102	200	SZM045	35
RLE8043	334	SWL103	200	SZM046	35
RSE8053	334	SWL1116 - SWL1118	196	SZM066Y	35
RSE8064	334	SWL1120 - SWL1131	197	SZM067	35

SZM100	27	SZR043	50	URBS5030	324
SZM110	27	SZR050	47	URES5030	323
SZM130	28	SZR051	51	URLS5330	323
SZM131	36	SZR051Y	51	V1005	123
SZM132	36	SZR052	51	V1006	124
SZM133	36	SZR053	51	V1007	123
SZM134	36	SZR060	48	V1008LH	124
SZM134Y	36	SZR061	51	V1008RH	124
SZM135	36	SZR061Y	51	WF11	123
SZM136	36	SZR062	51	WF12B	122
SZM160	28	SZR063	51	WF12C	122
SZM210	28	SZS01NP92	111	WF12S	122
SZM210SQ	28	SZS03NP92LH	111	WF13	173
SZM220	28	SZS03NP92RH	111	WF14	123,186
SZM241	35	SZS44S	125	WF15	122,186
SZM241Y	35	SZS73	124	WF16	123
SZM242	35	TC5	16	WF17	122
SZM243	35	TL1	329	WF18	128
SZM250	29	TL2	329	WF21	130
SZM320	29	TL3	329	WF22	130
SZM370	29	TL4	329	WF23	130
SZM371	36	TL7A	329	WF24	130
SZM371Y	36	TL9A	328	WF25	130
SZM372	36	TLD5025BSS	326	WFKEY/4MMCP	130
SZM373	36	TLD5025EB/SSS	326	WSB8125	335
SZM380	29	TLD5025SSS	326	XCA5000SV	381
SZM994SQ	33	TLD5030EB/SSS	326	XDB5760SV	381
SZR001	48	TLD5040EB/SSS	326	XDL5760SV	381
SZR002	48	TLD5050EB/SSS	326	XIA5002SC	382
SZR004	48	TLD5830EB/SSS	326	XIA5002SV	382
SZR010	47	TLD5840EB/SSS	326	XIA5003SV	382
SZR011	50	TLD5850EB/SSS	326	XSA5002SV	383
SZR011Y	50	TLS5025EB/SSS	325	XSA5003SV	383
SZR012	50	TLS5030BSS/R	325	XSA5033K/SV	383
SZR013	50	TLS5030BSS/SSS	325	ZIN3003	30
SZR020	47	TLS5030EB/SSS	325	ZIN3111	30
SZR021	50	TLS5030SSS	325	ZIN3112	30
SZR021Y	50	TLS5030SSS/R	325	ZIN3113	30
SZR022	50	TLS5040EB/SSS	325	ZIN3115	30
SZR023	50	TLS5050EB/SSS	325	ZIN3116	31
SZR030	47	TLS8030	324	ZIN3121	31
SZR031	50	ULE5025	332	ZIN3121	31
SZR031Y	50	ULE5025/R	332	ZIN3129	31
SZR032	50	ULE5030	332	ZIN3130	31
SZR033	50	ULE5030/R	332	ZIN3131	31
SZR040	47	ULS5025	329	ZIN3139	32
SZR041	50	ULS5030	329	ZIN3140	32
SZR041Y	50	UPSETREG1	287	ZIN3144	32
SZR042	50	UPSETREG2	287		



This catalogue is printed on FSC® certified paper. Only vegetable based inks have been used.

DISCLAIMER - At the time of publication all information was correct. We reserve the right to make technical changes.

 **EUROLITE**  **EUROSPEC**  **SEROZZETTA**  **MANITAL**

CARLISLE BRASS LTD. Parkhouse Road, Carlisle, Cumbria, CA3 0JU
Sales: 01228 511030 www.carlislebrass.com



LITCBCAT21