

Intumescent Fire and Smoke Seals

Intumescent Fire & Smoke Seal

Product Title	Code
999FSS 1050x10x4mm Brown Intumescent Fire/Smoke Seal	IA010220
999FSS 1050x10x4mm White Intumescent Fire/Smoke Seal	IA010190
999FSS 1050x10x5mm Brown Intumescent Fire/Smoke Seal	IA010240
999FSS 1050x20x4mm brown Intumescent	IA010090
999FSS 1050x20x4mm white Intumescent	IA010080
999FSS 2100x20x4mm White Intumescent Fire/Smoke Seal	IA010260

Intumescent Fire & Smoke Seal - Self Adhesive

Product Title	Code
999FSS SA 1050x10x4mm Brown Int Fire/Smoke Seal	IA010230
999FSS SA 1050x10x4mm White Fire/Smoke Seal S/Adhesive	IA010200
999FSS SA 1050x25x4mm White Int.Fire/Smoke Seal Self Adh.	IA010290
999FSS SA 2100x10x4mm Brown Int Fire/Smoke	IA010250
999FSS SA 2100x10x4mm White Fire/Smoke	IA010210
999FSS SA 2100x20x4mm Brown Int Fire/Smoke Seal Self Adh.	IA010280
999FSS SA 2100x20x4mm White Intumescent Fire/Smoke Seal S/Adh.	IA010270
999FSS SA 2100x25x4mm Brown Int.Fire/Smoke Seal S/Adh.	IA010310
999FSS SA 2100x25x4mm White Int.Fire/Smoke Seal S/Adh.	IA010300

Intumescent Fire Seal

Product Title	Code
999F 1050x10x4mm Brown Intumescent Fire Seal	IA010060
999F 1050x10x4mm White Intumescent Fire Seal	IA010010
999F 2100x20x4mm Brown Intumescent Fire Seal	IA010130
999F 2100x20x4mm White Intumescent Fire Seal	IA010110
999F 2100x25x4mm Brown Intumescent Fire Seal	IA010170
999F 2100x25x4mm White Intumescent Fire Seal	IA010150

Intumescent Fire Seal - Self Adhesive

Product Title	Code
999F SA 1050mmx20x4mm brown Intumescent Fire Seal S/Adh.	IA010040
999F SA 1050mmx20x4mm white Intumescent Fire Seal S/Adh.	IA010050
999F SA 1050x10x4mm Brown Intumescent Fire Seal S/Adh.	IA010070
999F SA 1050x10x4mm White Intumescent Fire Seal S/Adh.	IA010020
999F SA 2100x10x4mm Brown Intumescent Fire Seal S/Adh.	IA010100
999F SA 2100x10x4mm White Intumescent Fire Seal S/Adh.	IA010030
999F SA 2100x20x4mm Brown Intumescent Fire Seal S/Adh.	IA010140
999F SA 2100x20x4mm White Intumescent Fire Seal S/Adh.	IA010120
999F SA 2100x25x4mm Brown Intumescent Fire Seal S/Adh.	IA010180
999F SA 2100x25x4mm White Intumescent Fire Seal S/Adh.	IA010160

Intumescent Mastic

Product Title	Code
Therm-a-Calk Intu.Mastic White 300ML Cartridge	IA010320



Information On Fire Seals

- Some useful information to help specify the correct fire seal.
- Extreme heat causes intumescent seals to expand and close the gap between door and frame. In the event of a fire the seals expand and stop the transfer of hot gasses and smoke.
- 10mm x 4mm Seals are 30-minute rated.
- 20mm x 4mm Seals are 60-minute rated

Acoustic Seals

- A full range of acoustic seals are available from AC Leigh. Please call our sales department for further information..

Why not let us do the hard work?

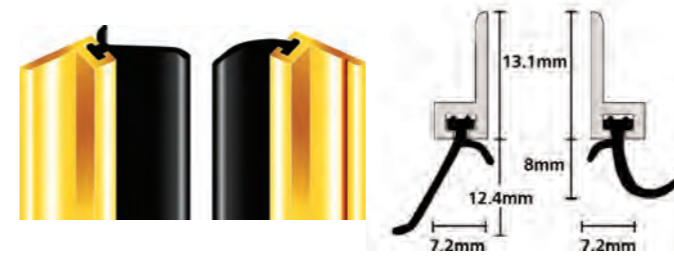
Our project specification service is FREE to all of our customers. All you need to do is choose the style of ironmongery you are interested in, give us the plans for your project and we'll do the rest. All ironmongery is chosen to match your specification and budgetary requirements. Our trained staff will ensure that all hardware is compatible to save you time installing. All hardware is specified according to current legislation, i.e. DDA.



Batwing Smoke and Acoustic Seal

- Effective cold smoke seal.
- Self adhesive easily fitted.
- Can also act as an acoustic seal.
- Minimal disruption to door action for DDA application.

Product Title	Code
Black 1000mm x 10mm x 10mm Double batwing acoustic smoke seal	IA050030
Black 2100mm x 10mm x 10mm Double batwing acoustic smoke seal	IA050020
White 2100mm x 10mm x 10mm Double batwing acoustic smoke seal	IA050010



Standard ADS (Around Door Strip)

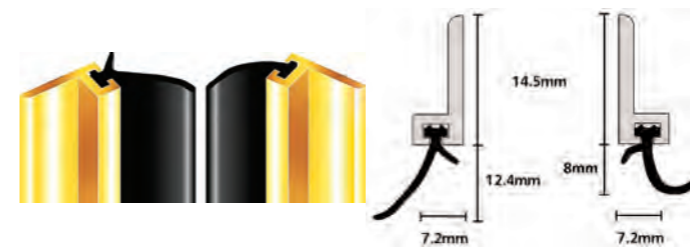
- Nitrile Draught proof strips bridge gap between door and frame, efficiency is increased with wind pressure.
- Quick and easy installation with high grade Stainless steel pins.
- Robust and durable.
- Can be used as a cold smoke seal.

Product Title	Code
ADS Gold Anodised D/Excl.	IC030810
ADS Satin Aluminium Draught Excluder 6'9	IC030780

Heavy Duty ADS (Around Door Strip)

- Nitrile Draught proof strips bridge gap between door and frame, efficiency is increased with wind pressure.
- Fully Adjustable, slotted holes accept stainless steel fixing screws.
- Quick and easy fitting, curved rubber prevents trapping.
- Robust and durable, heavy duty aluminium construction.
- Can be used as a cold smoke seal.

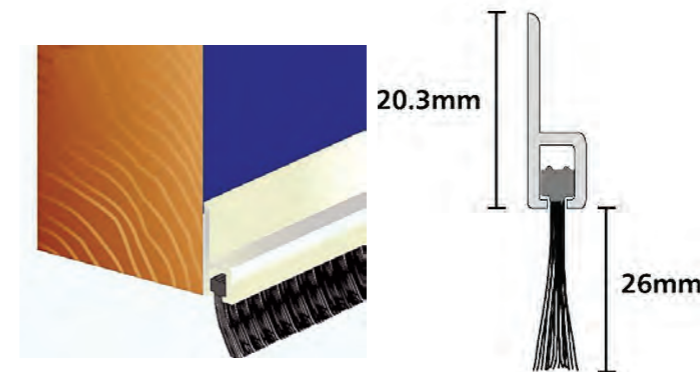
Product Title	Code
ADS Gold D/Excl.Heavy Duty	IC030820
ADS Satin Aluminium D/Excl.Heavy Duty	IC030800



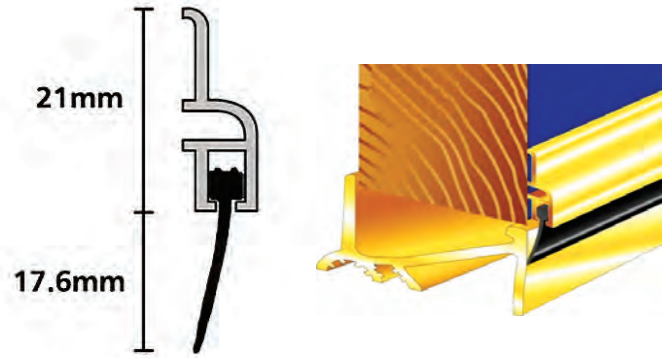
Brush BDS Draught Excluder Draught Excluder

- Effective draught protection under doors, 26mm polypropylene brush seals gaps from 5mm-15mm.
- Quick, easy fitting with plated steel screws and pre-drilled fixing holes.
- Ideal for sliding, folding, hinged and garage doors.
- Hard wearing wipe clean surface.

Product Title	Code
BDS Draught Excluder Brown/Brush D/Excl 838mm BDS Draught Excluder	IC030960
BDS Draught Excluder Brown/Brush D/Excl. 914mm BDS Draught Excluder	IC030990
BDS Draught Excluder Gold/Brush D/Excl. 838mm BDS Draught Excluder	IC030950
BDS Draught Excluder Gold/Brush D/Excl. 914mm BDS Draught Excluder	IC030920
BDS Draught Excluder Satin Aluminium/Brush D/Excl. 2132mm BDS Draught Excluder	IC030980
BDS Draught Excluder Satin Aluminium/Brush D/Excl. 838mm BDS Draught ExcluderBA	IC030940
BDS Draught Excluder Satin Aluminium/Brush D/Excl. 914mm BDS Draught Excluder	IC030910
BDS Draught Excluder White/Brush D/Excl. 838mm BDS Draught Excluder	IC030970
BDS Draught Excluder White/Brush D/Excl. 914mm BDS Draught Excluder	IC030930



Rubber BDS Draught Excluder Draught Excluder



- Excellent draught protection, TPE rubber seals against a threshold sill or other raised step.
- Seals gaps of up to 12mm.
- Quick, easy fitting with plated steel screws and pre-drilled fixing holes.
- Effective cold smoke seal.

Product Title	Code
BDS Draught Excluder Gold/Rubber D/Excl. 838mm BDS Draught Excluder	IC030900
BDS Draught Excluder Gold/Rubber D/Excl. 914mm BDS Draught Excluder	IC030870
BDS Draught Excluder Satin Aluminium/Rubber D/Excl. 1219mm BDS Draught Excluder	IC030880
BDS Draught Excluder Satin Aluminium/Rubber D/Excl. 838mm BDS Draught Excluder	IC030890
BDS Draught Excluder Satin Aluminium/Rubber D/Excl. 914mm BDS Draught Excluder	IC030860

CDX Mobility Easy Access Draught Excluder

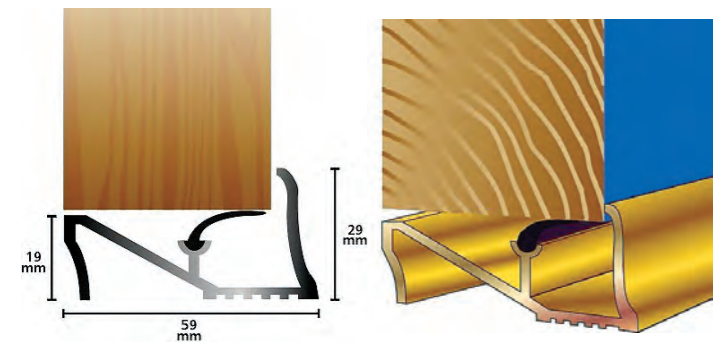
- Provides easy access for light wheeled traffic.
- Low profile ramp ideal for hotels/schools.
- Heavy duty aluminium construction with tough nitrile rubber seal.

Product Title	Code
CDX 1219mm Satin Aluminium Draught Excluder	IC030630
CDX 1524mm Satin Aluminium Draught Excluder	IC030670
CDX 1828mm Satin Aluminium Draught Excluder CDXA	IC030680
CDX 1829mm Gold Low Level Accessibility Sill	IC031070
CDX 2438mm Satin Aluminium Draught Excluder	IC030640
CDX 813mm Satin Aluminium Draught Excluder	IC030650
CDX 838mm Satin Aluminium Draught Excluder	IC030660
CDX 914mm Gold Threshold Seal	IC031080
CDX 914mm Satin Aluminium Draught Excluder	IC030690

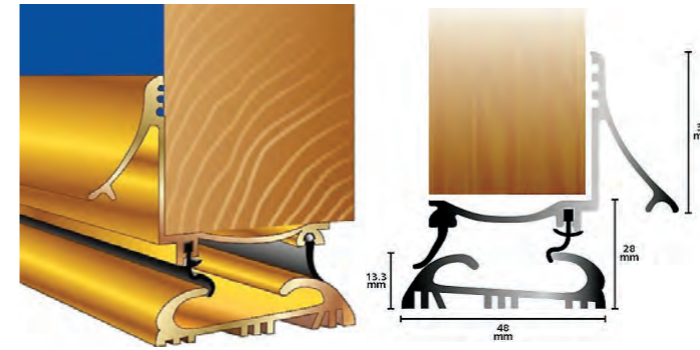
Low Profile Draught Excluding Sill

- Excellent performance under severe weather conditions.
- Deep water collection channels
- Patented centrally located nitrile rubber all weather seal.
- Easier access due to lower profile (29mm)
- Heavy duty aluminium construction.

Product Title	Code
Lowline Bronze Draught Excluder 1219mm	IC030520
Lowline Bronze Draught Excluder 838mm	IC030570
Lowline Gold Anodised Draught Excluder 1067mm	IC030500
Lowline Gold Anodised Draught Excluder 1828mm	IC030480
Lowline Gold Anodised Draught Excluder 1980mm	IC030540
Lowline Gold Anodised Draught Excluder 838mm	IC030560
Lowline Gold Anodised Draught Excluder 914mm	IC030460
Lowline Pol Alum Draught Excluder 1067mm	IC030510
Lowline Pol Alum Draught Excluder 1219mm	IC030530
Lowline Pol Alum Draught Excluder 1524mm	IC031000
Lowline Pol Alum Draught Excluder 1676mm	IC030450
Lowline Pol Alum Draught Excluder 1828mm	IC030490
Lowline Pol Alum Draught Excluder 813mm	IC030550
Lowline Pol Alum Draught Excluder 838mm	IC030580
Lowline Pol Alum Draught Excluder 914mm	IC030470



Trimline Mobility Easy Access Draught Excluder

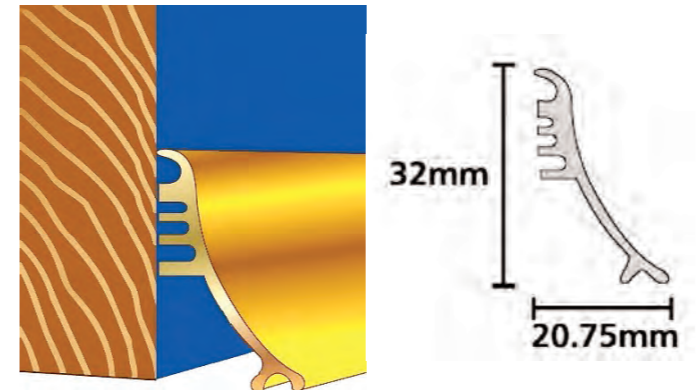


- Suitable for inward or outward opening doors.
- 13.5mm profile, curved upstands front and rear facilitate access for wheelchairs and prams
- Double protection against rain and draught intrusion.
- Easy to fit, face fixing as standard.
- Robust and durable

Product Title	Code
Trimline 1219mm Gold And Sill	IC030590
Trimline 838mm Alum and Sill	IC030610
Trimline 838mm Gold And Sill	IC030600
Trimline Sill Pol Alum 914mm	IC030270

Rain Deflector

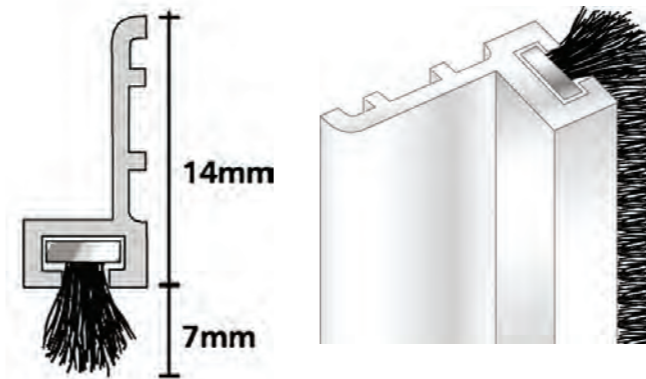
- Designed to deflect water away from bottom of door in conjunction with a threshold sill or to replace a weatherboard.
- Quick and easy installation with stainless steel screws and pre-drilled fixing holes.
- Forms water tight seal against the door.
- Ends are open to allow air to circulate.
- Virtually maintenance free.



Product Title	Code
Gold Anodised Rain Deflector 838x38mm	IC032000
Gold Anodised Rain Deflector 838x75	IC032010
Gold Anodised Rain Deflector 914x38mm	IC032020
Gold Anodised Rain Deflector 914x75	IC032030
Pol Satin Aluminium Rain Deflector 1000x75mm	IC030260
Pol Satin Aluminium Rain Deflector 1066x38mm	IC030190
Pol Satin Aluminium Rain Deflector 762x38mm	IC030145
Pol Satin Aluminium Rain Deflector 762x75mm	IC030155
Pol Satin Aluminium Rain Deflector 838x38mm	IC030157
Pol Satin Aluminium Rain Deflector 838x75mm	IC030159
Pol Satin Aluminium Rain Deflector 914x38mm	IC030160
Pol Satin Aluminium Rain Deflector 914x75mm	IC030240
Pol Satin Aluminium Rain Deflector 990x38mm	IC030200

Slikseal For Windows & Doors

- Lightweight and convenient draught excluder for around window and internal doors.
- 5mm polypropylene brush pile in pvc housing.
- Quick and easy to fit.
- Ideal for sash windows.
- Can be used as a cold smoke seal.



Product Title	Code
Slik Seal Brown D/Excl. Set	IC030840
Slik Seal White D/Excl Set	IC030830

Help is at hand!

- If you require any help in the specification of weather seals for your project, don't hesitate to get in touch. Our experienced sales team will be able to help you with any queries.
- Norwich - 01603 216500
- Cambridge - 01223 257724
- Colchester - 01206 877488
- Ipswich - 01473 292810